



DISTRIBUTION CONSTRUCTION STANDARDS MANUAL

Part 6

Date Published: 18 March 2020

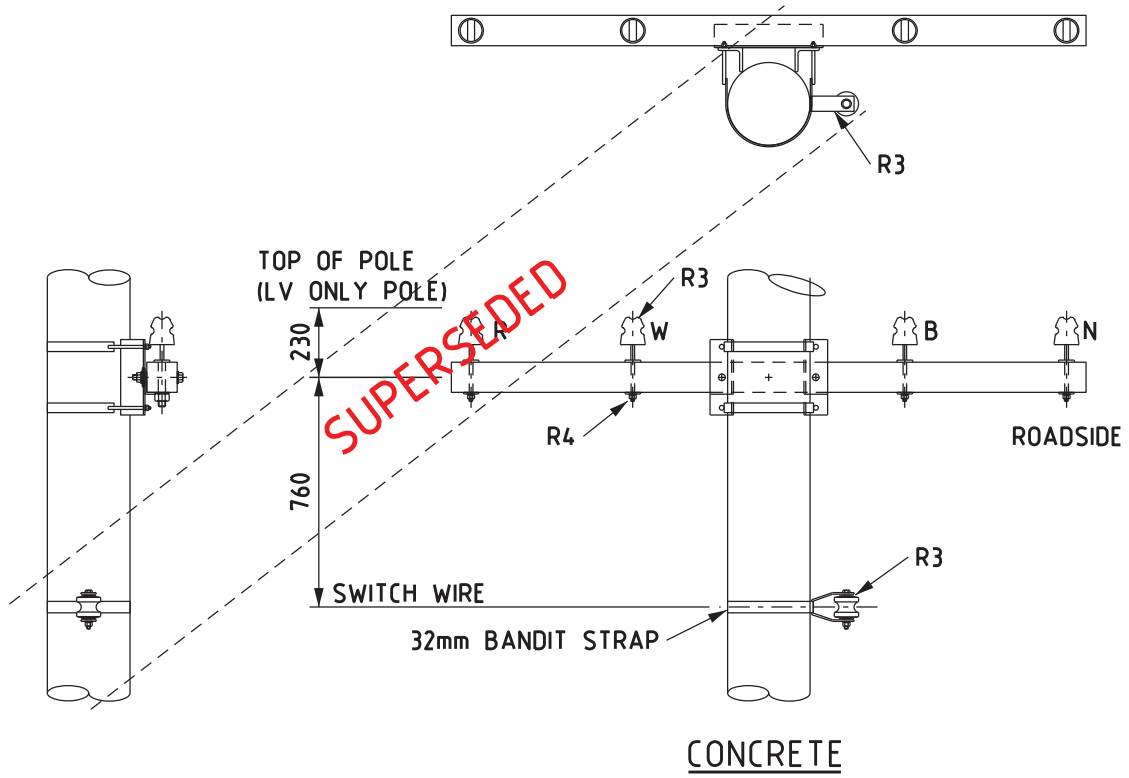
L - LV Overhead

For application to
Horizon Power
Electricity Distribution Networks

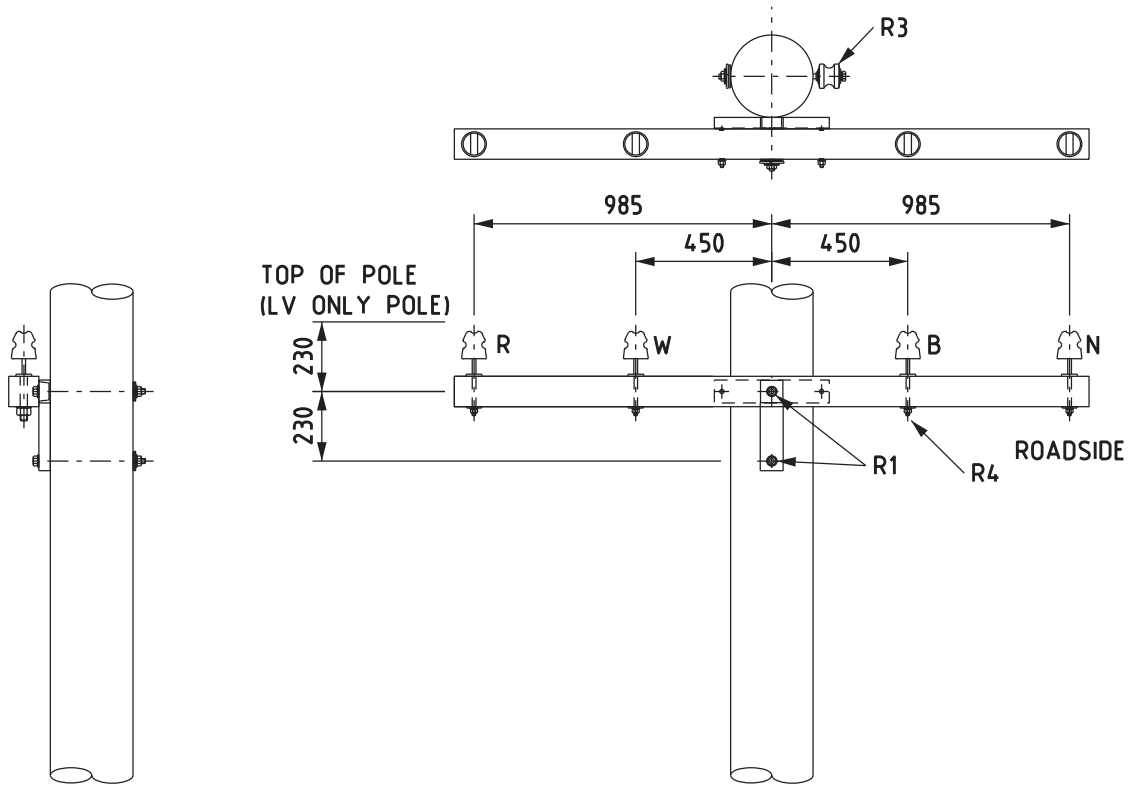
Uncontrolled document when printed. Refer Online for latest version.

Part 6 – LV Overhead – Drawing Register

Number	Description
L1	LV Intermediate
L2	LV Angle 0° - 20°
L3	LV In-Line Strain or Angle 21° - 45°
L5	LV Termination
L6	LV Isolators Underslung
L7	LV Two Crossarms



CONCRETE



STEEL

NOTE:

1. ALL HOLES 18 DIAMETER U.O.N. STAY 22 DIAMETER
2. IF SERVICE FUSE IS FITTED SEE R11



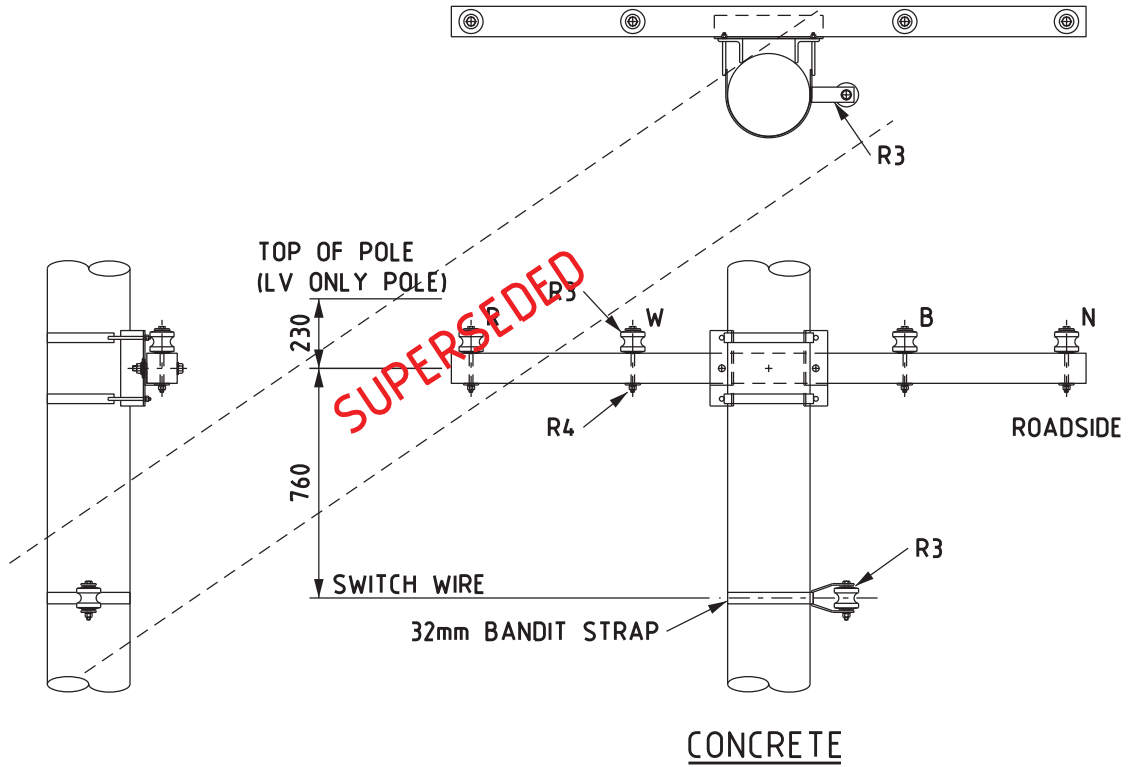
DISTRIBUTION CONSTRUCTION
STANDARDS

INTERMEDIATE

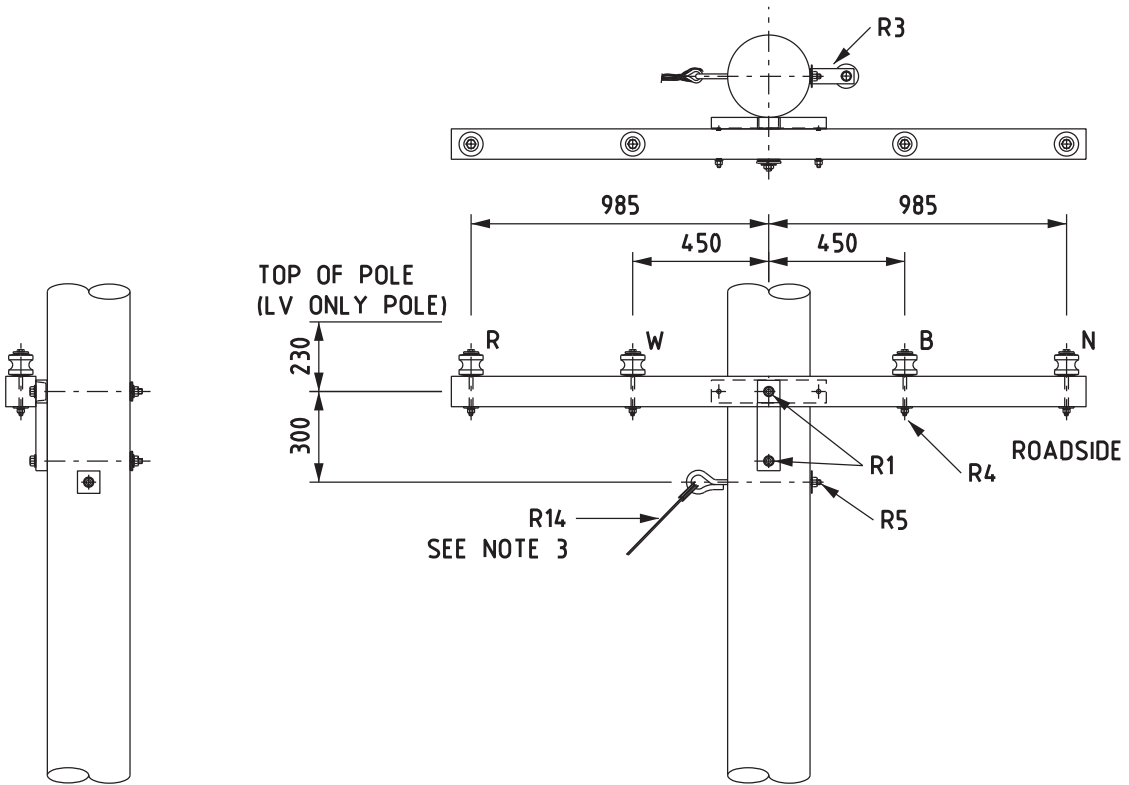
REVISION B	DATE MAY 18
---------------	----------------

DRAWING No.

L1



CONCRETE



STEEL

NOTE:

1. ALL HOLES 18 DIAMETER U.O.N. STAY 22 DIAMETER
2. IF SERVICE FUSE IS FITTED SEE R11
3. STAY MAY BE REQUIRED.



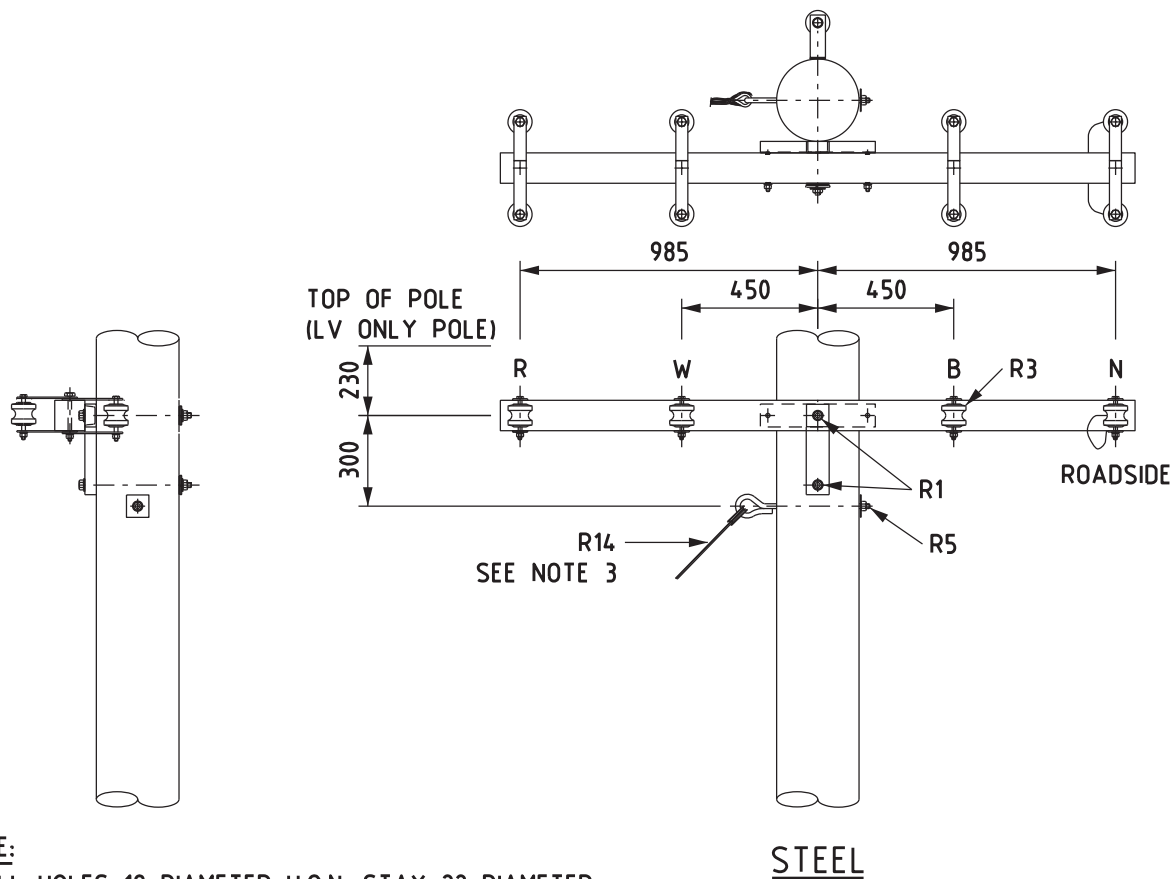
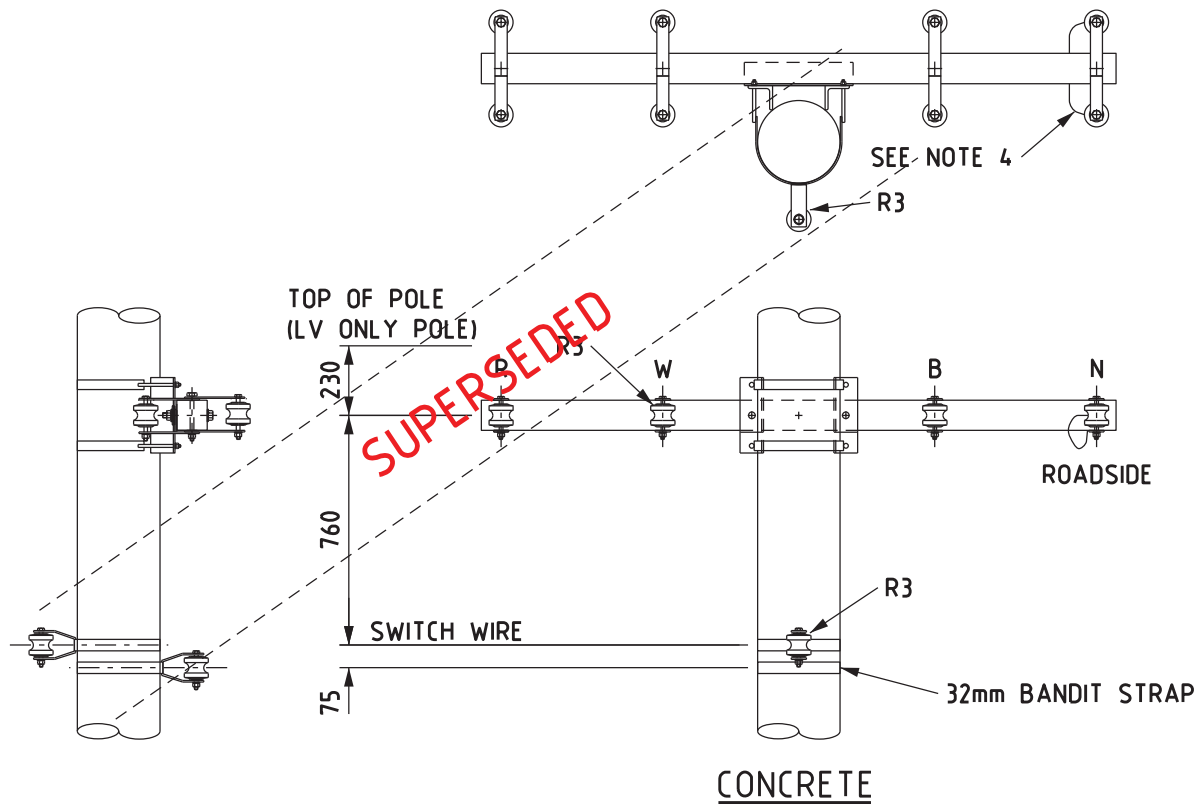
DISTRIBUTION CONSTRUCTION
STANDARDS

ANGLE 0° - 20°

REVISION B	DATE MAY 18
---------------	----------------

DRAWING No.

L2



NOTE:

1. ALL HOLES 18 DIAMETER U.O.N. STAY 22 DIAMETER.
2. IF SERVICE FUSE IS FITTED SEE R11.
3. STAY MAY BE REQUIRED.
4. NEUTRAL MUST ALWAYS BE CONTINUOUS.



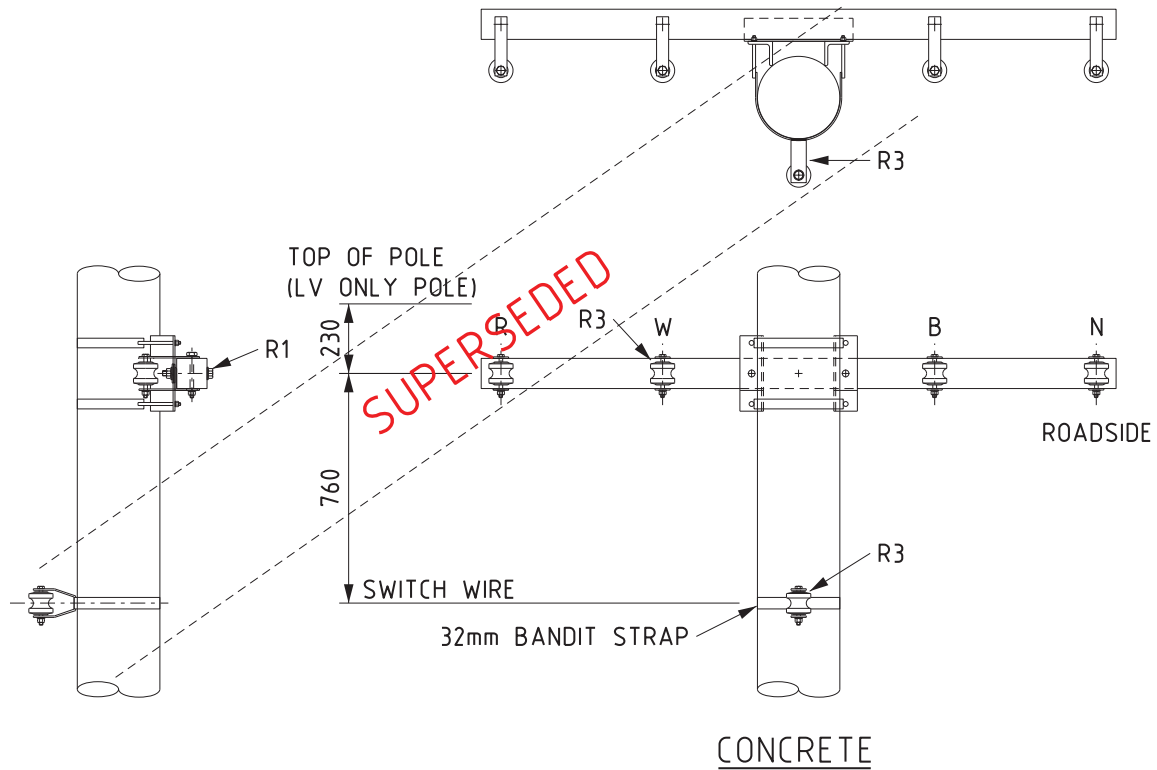
DISTRIBUTION CONSTRUCTION
STANDARDS

IN-LINE STRAIN
OR ANGLE 21° - 45°

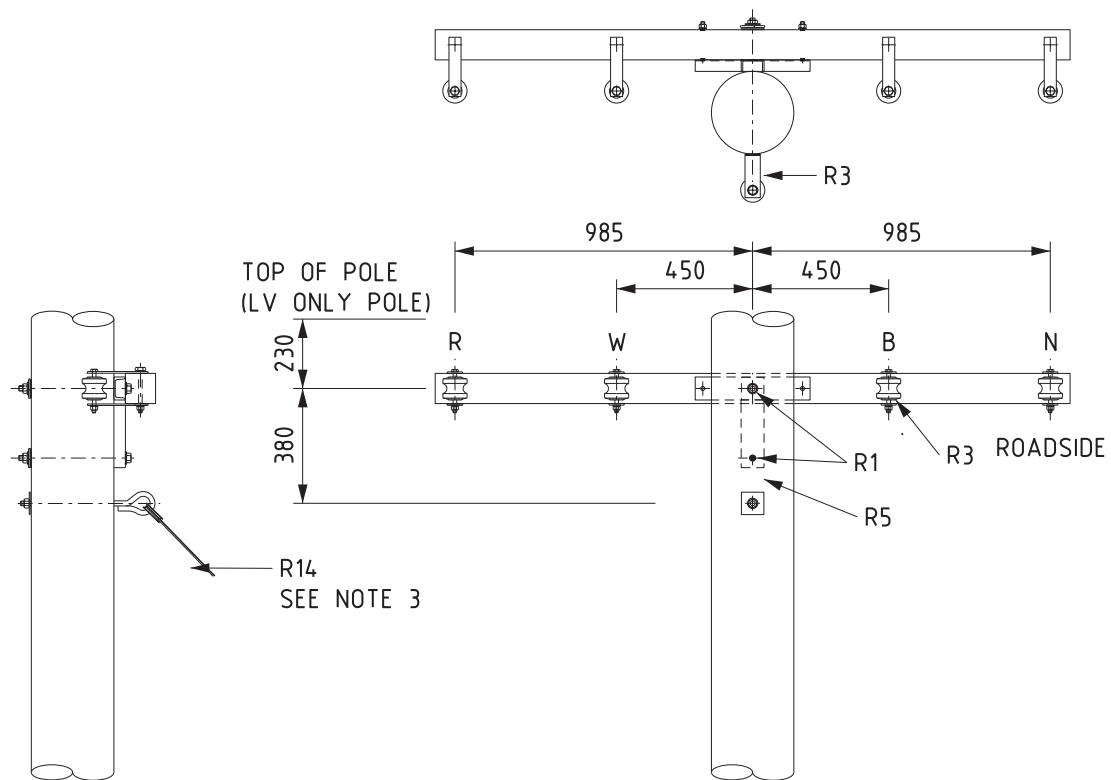
REVISION B	DATE MAY 18
---------------	----------------

DRAWING No.

L3



CONCRETE



STEEL

NOTE:

1. ALL HOLES 18 DIAMETER U.O.N. STAY 22 DIAMETER.
2. IF SERVICE FUSE IS FITTED SEE R11.
3. STAY MAY BE REQUIRED.



DISTRIBUTION CONSTRUCTION
STANDARDS

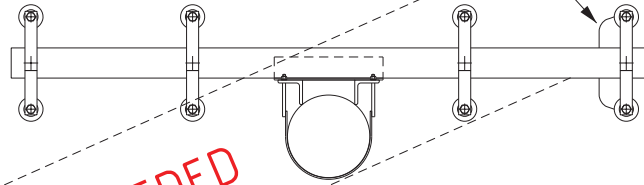
TERMINATION

REVISION C	DATE OCT.18
---------------	----------------

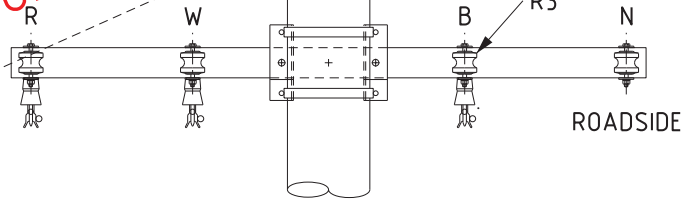
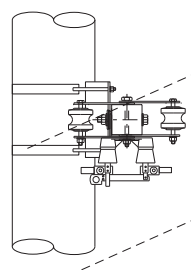
DRAWING No.

L5

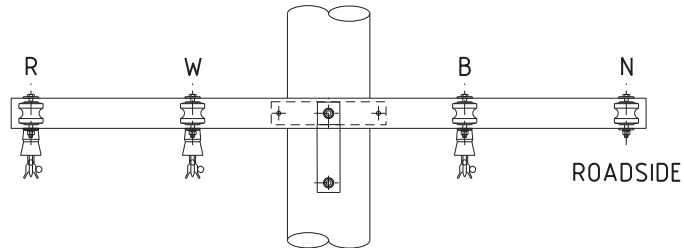
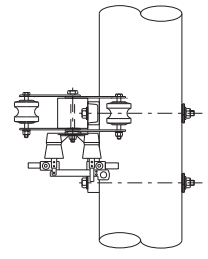
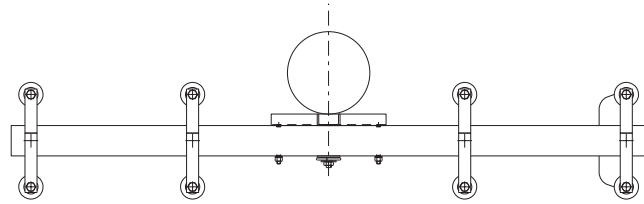
CONTINUOUS NEUTRAL
NOTE 2



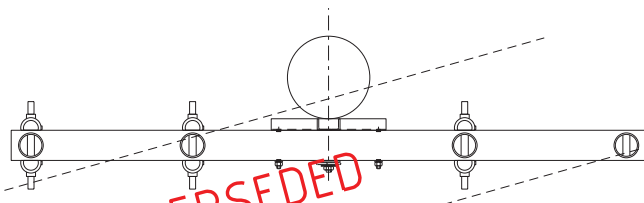
SUPERSEDED



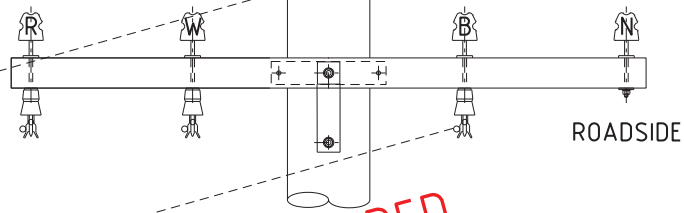
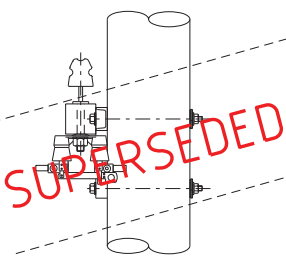
CONCRETE



STEEL TERMINATION N.O.P.



SUPERSEDED



STEEL INTERMEDIATE/TX ISOLATION

SUPERSEDED

NOTE:

- 1. ALL HOLES 18 DIAMETER U.O.N.
- 2. NEUTRAL MUST ALWAYS BE CONTINUOUS INCLUDING POLES WHERE ISOLATORS ARE FITTED.
- 3. REFER TO R12 FOR FINISHING DETAILS.



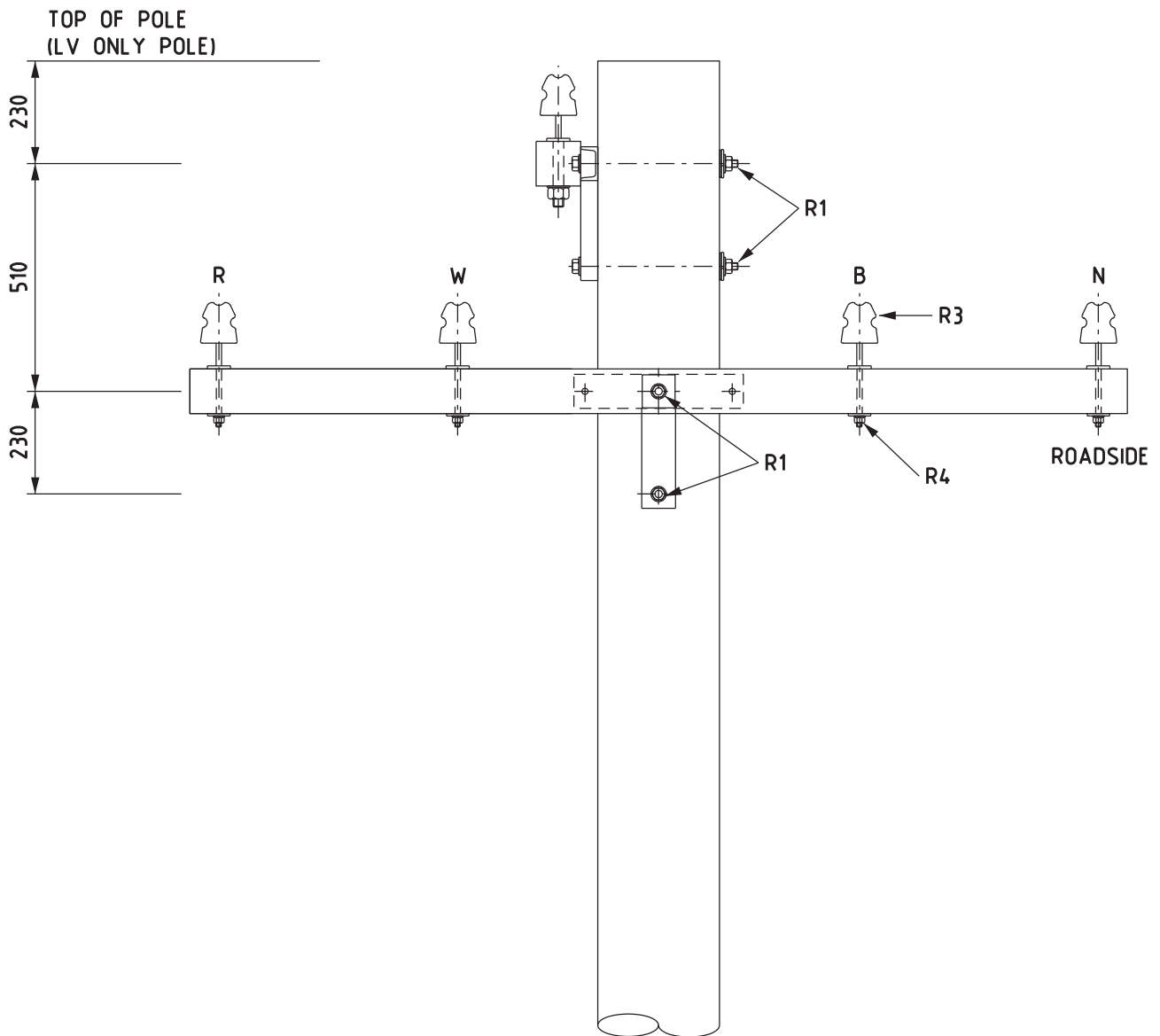
DISTRIBUTION CONSTRUCTION STANDARDS

LV ISOLATORS UNDERSLUNG

REVISION B	DATE MAY 18
---------------	----------------

DRAWING No.

L6



NOTE:

1. ALL HOLES 18 DIAMETER U.O.N.
2. IF SERVICE FUSE IS FITTED SEE R11
3. REFER R14 FOR STAYS ON TERMINATION AND ANGLES



DISTRIBUTION CONSTRUCTION
STANDARDS

TWO CROSSARM

REVISION	DATE
B	MAY 18

DRAWING No.

L7