

PUBLIC



Distribution Design Catalogue – Section 01: HV – High Voltage Bare

Standard Number: HPC-1DC-07-0001-2014

Document Control		
Revision 7 Author	Name: Mondli Moyo Position: Standards and Plant Engineer	
Reviewed By	Name: Paul Savig Position: Senior Standards and Plant Engineer	
Endorsed By	Name: Johnathan Choi Position: Standards and Plant Manager	
Approved By *	Name: Victor Cheng Position: Senior Manager Engineering and Project Services	
Date Created/Last Updated	20 May 2024	
Review Frequency **	Annually	
Next Review Date **	20 May 2025	

*** Frequency period is dependent upon circumstances– maximum is 5 years from last issue, review, or revision whichever is the latest. If left blank, the default shall be 1 year unless otherwise specified.*

Revision Control		
Revision	Date	Description
6	20/05/2021	Update on Long Rod insulator, Pole Top Switch and Recloser CUs
7	20/05/2024	CU updates due to changes in Stock Items

STAKEHOLDERS	
<i>The following positions shall be consulted if an update or review is required:</i>	
Asset Managers	Field Practices Coordinator
Works Delivery Managers	Logistics Managers
Asset Service Delivery Managers	EPCM Contracts Manager

HIGH VOLTAGE BARE LIST

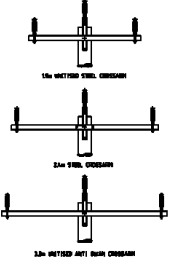
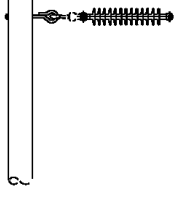
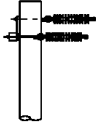
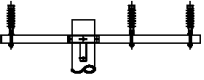
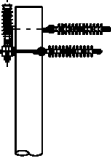
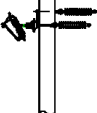

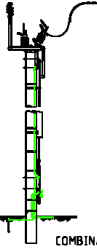
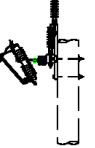
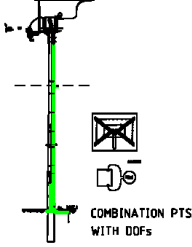
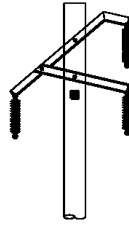
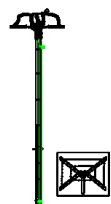
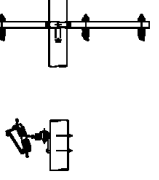
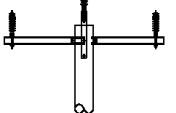
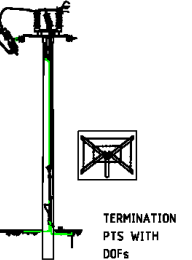
CU	CU DESCRIPTION
HV1_2PH	Intermediate_2 phase 1.9 m steel cross-arm
HV1_3PH	Intermediate_3 phase 1.9 m steel cross-arm
HV1_3PH_2.4M	Intermediate_3 phase 2.4 m steel cross-arm
HV1_3PH_AS	Intermediate_3 phase 3.3 m Anti Swan steel cross-arm (0.53 m raiser)
HV1_3PH_AS1	Intermediate_3 phase 3.3 m Anti Swan steel cross-arm (1 m raiser)
HV3_1PH	Running disk angle_1 phase
HV3_1PH_EX	Running disk angle_1 phase_Extended Eye Bolt
HV5_2PH	Horizontal termination_2 phase
HV5_3PH	Horizontal termination_3 phase
HV5_3PH_AS	Horizontal termination_3 phase_ Anti Swan
HV6_3PH	Intermediate off set_3 phase
HV7_2PH	Termination with tee off post insulator_2 phase
HV7_3PH	Termination with tee off post insulator_3 phase
HV7_3PH_AS	Termination with tee off post insulator_3 phase_ Anti Swan
HV8_2PH	Tee off termination with drop-out fuses_2 phase
HV8_3PH	Tee off termination with drop-out fuses_3 phase
HV9_2PH	In line strain_2 phase
HV9_3PH	In line strain_3 phase
HV11_33_LB	Combination flyover PTS_load-breakable _33 kV
HV12_2PH	Intermediate off set with drop-out fuses_2 phase
HV12_3PH	Intermediate off set with drop-out fuses_3 phase
HV13_33_LB	Combination flyover PTS load-breakable with drop-out fuses_33 kV
HV18	Intermediate wishbone
HV19_33_LB	Pole top switch_load-breakable switch_33 kV
HV20_2PH	Drop-out fuse cross-arm for intermediate Tx_2 phase
HV20_3PH	Drop-out fuse cross-arm for intermediate Tx_3 phase
HV21_3PH	Intermediate extended raiser
HV23_33_LB	Termination PTS load-breakable with drop-out fuses_33 kV
HV23_33_ND	Termination PTS load-breakable without drop-out fuses_33 kV
HV25_22	3 phase recloser with isolators 22 kV
HV25_33	3 phase recloser with isolators 33 kV
HV25_22_LV	3 phase recloser with isolators 22 kV & LV Supply
HV25_33_LV	3 phase recloser with isolators 33 kV & LV Supply
HV27	1 phase 2 way termination with drop-out fuses
HV29	1 phase intermediate
HV31	1 phase slack/strain with drop-out fuse
HV32	1 phase termination with drop-out fuse
HV33	1 phase 2 way termination
HV39_11	Pole mounted surge diverter_11 kV
HV39_22	Pole mounted surge diverter_22 kV
HV39_33	Pole mounted surge diverter_33 kV
HV40_22R_TX	LBS_22 kV_with isolators_ one bushing Tx supply

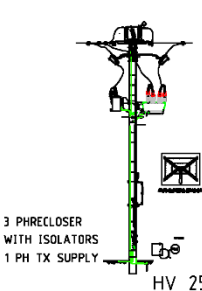
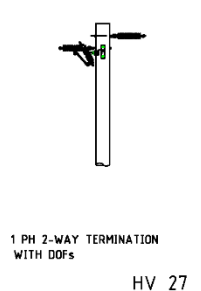
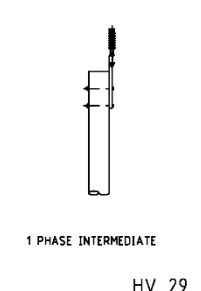
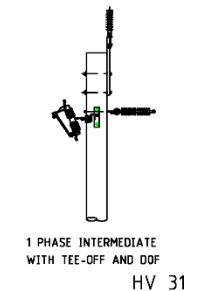
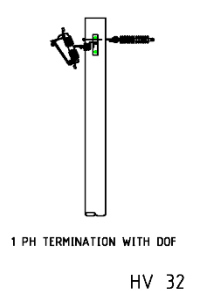
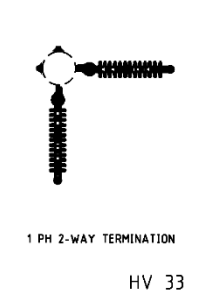
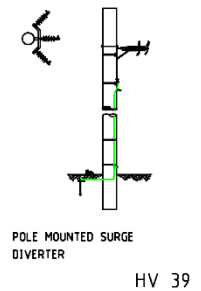
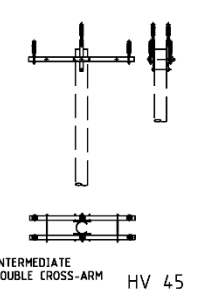
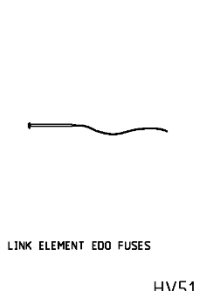
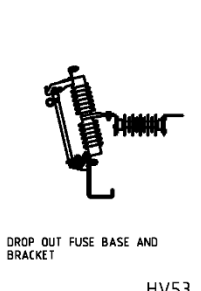
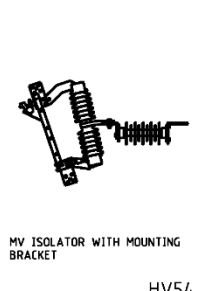
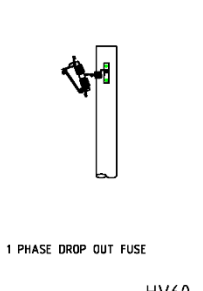
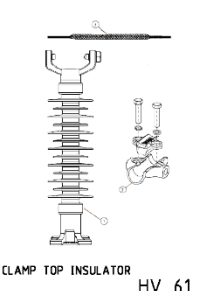
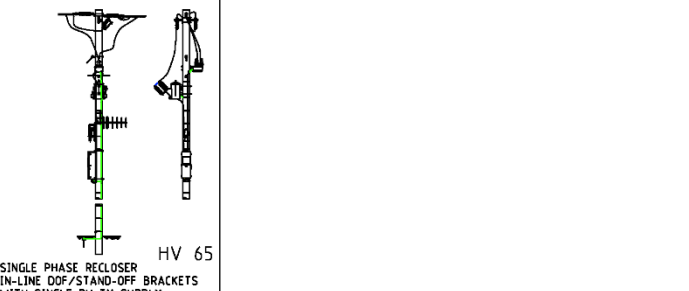

PUBLIC

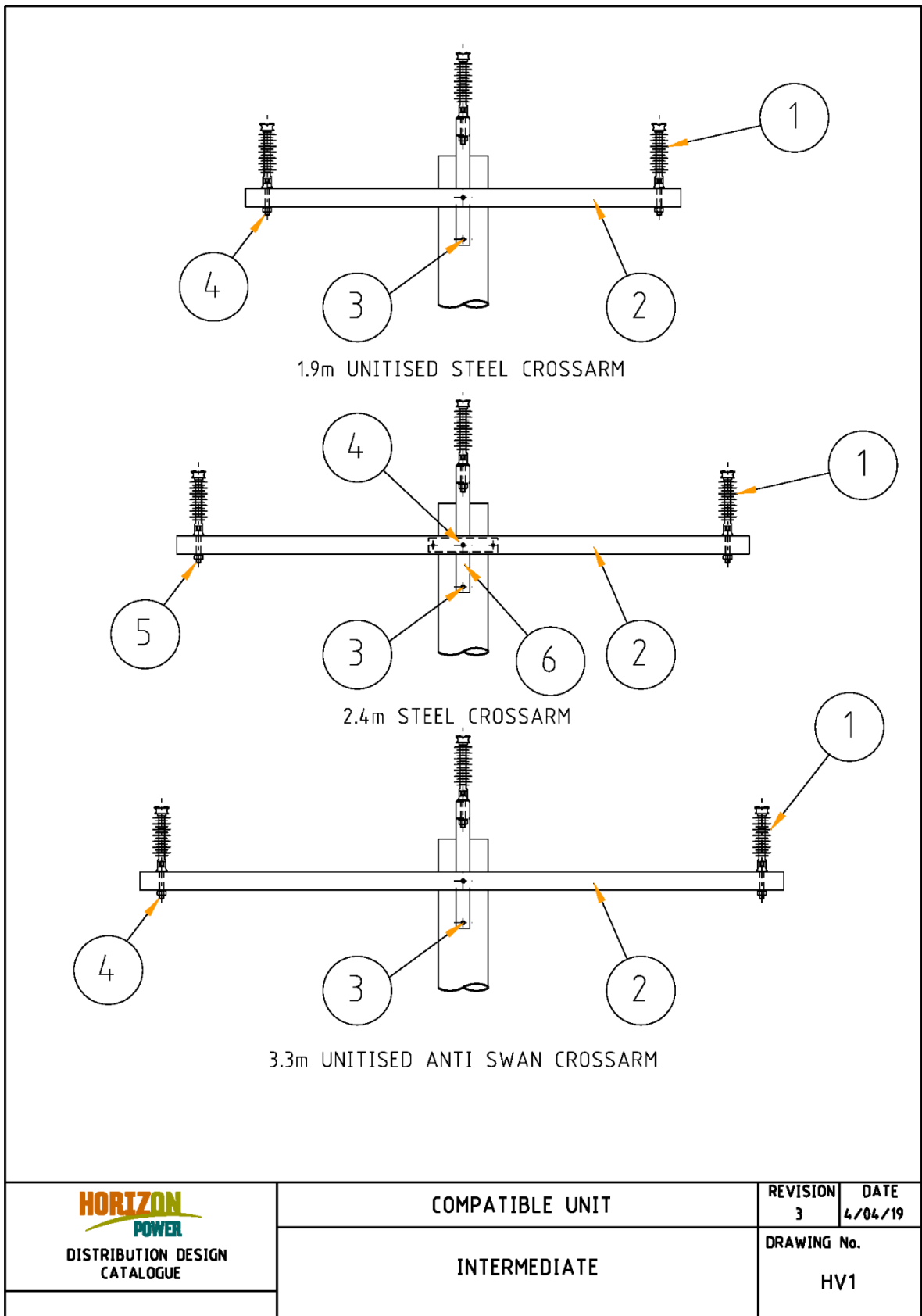
HV40_33R_TX	LBS_33 kV_with isolators_ one bushing Tx supply
HV40_22_LV	LBS_22 kV_with isolators_ low voltage supply
HV40_33_LV	LBS_33 kV_with isolators_ low voltage supply
HV45_2S	2 phase intermediate double cross-arm
HV45_3S	3 phase intermediate double cross-arm
HV45_3S_AS	3 phase intermediate double cross-arm (0.53m riser)
HV45_3S_AS1	3 phase intermediate double cross-arm (1m riser)
HV51_3.15EDO	Expulsion Drop-Out Fuse link element_3.15 Amp
HV51_5EDO	Expulsion Drop-Out Fuse link element_5 Amp
HV51_8EDO	Expulsion Drop-Out Fuse link element_8 Amp
HV51_10EDO	Expulsion Drop-Out Fuse link element_10 Amp
HV51_16EDO	Expulsion Drop-Out Fuse link element_16 Amp
HV51_20EDO	Expulsion Drop-Out Fuse link element_20 Amp
HV51_25EDO	Expulsion Drop-Out Fuse link element_25 Amp
HV51_31.5EDO	Expulsion Drop-Out Fuse link element_31.5 Amp
HV51_40EDO	Expulsion Drop-Out Fuse link element_40 Amp
HV51_63EDO	Expulsion Drop-Out Fuse link element_63 Amp
HV51_80EDO	Expulsion Drop-Out Fuse link element_80 Amp
HV53	Drop-out Fuse base with mounting bracket
HV53_2	Drop-out Fuse base without mounting bracket
HV54	MV Isolator with mounting bracket
HV60	1 phase drop-out fuse
HV61_AA	Clamp top insulator for AAC & AAAC – materials only
HV61_SCAC	Clamp top insulator for 3/2.75 SC/AC – materials only
HV61_SCGZ	Clamp top insulator for 3/2.75 SC/GZ – materials only
HV65_12.7TX	Single phase recloser with bypass and 12.7 kV/250-500 V transformer
HV65_19.1TX	Single phase recloser with bypass and 19.1 kV/250-500 V transformer

Index Table

Reference No.	Description
1	All components included in GSH0130 BOM.

 <p>1.5m VERTICAL WITH CROSSARM 2.4m VERTICAL 3.3m VERTICAL WITH BUSH CROSSARM INTERMEDIATE HV 1</p>	 <p>1 PHASE VERTICAL TERMINATION AND RUNNING DISK ANGLE HV 3</p>	 <p>HORIZONTAL TERMINATION HV 5</p>	 <p>INTERMEDIATE OFFSET HV 6</p>
 <p>TERMINATION TEE OFF POST INSULATOR HV 7</p>	 <p>TERMINATION TEE OFF WITH DOFs HV 8</p>	 <p>INLINE STRAIN HV 9</p>	 <p>COMBINATION PTS HV 11</p>
 <p>INTERMEDIATE OFF SET WITH DOFs HV 12</p>	 <p>COMBINATION PTS WITH DOFs HV 13</p>	 <p>INTERMEDIATE WISHBONE HV 18</p>	 <p>POLE TOP SWITCH LOAD-BREAKABLE SWITCH HV 19</p>
 <p>DOF CROSSARM FOR INTERMEDIATE TRANSFORMER HV 20</p>	 <p>INTERMEDIATE EXTENDED RAISER HV 21</p>	 <p>TERMINATION PTS WITH DOFs HV 23</p>	
<p>HORIZON POWER DISTRIBUTION DESIGN CATALOGUE OPERATIONS DIVISION</p>	<p>COMPATIBLE UNIT HV COMPATIBLE UNITS</p>		<p>REVISION 2 DATE MAY 2024 DRAWING No. HV INDEX Sheet 1 of 2</p>

 <p>3 PH RECLOSER WITH ISOLATORS 1 PH TX SUPPLY</p> <p>HV 25</p>	 <p>1 PH 2-WAY TERMINATION WITH DOFs</p> <p>HV 27</p>	 <p>1 PHASE INTERMEDIATE</p> <p>HV 29</p>	 <p>1 PHASE INTERMEDIATE WITH TEE-OFF AND DOF</p> <p>HV 31</p>
 <p>1 PH TERMINATION WITH DOF</p> <p>HV 32</p>	 <p>1 PH 2-WAY TERMINATION</p> <p>HV 33</p>	 <p>POLE MOUNTED SURGE DIVERTER</p> <p>HV 39</p>	 <p>INTERMEDIATE DOUBLE CROSS-ARM</p> <p>HV 45</p>
 <p>LINK ELEMENT EDO FUSES</p> <p>HV 51</p>	 <p>DROP OUT FUSE BASE AND BRACKET</p> <p>HV 53</p>	 <p>MV ISOLATOR WITH MOUNTING BRACKET</p> <p>HV 54</p>	 <p>1 PHASE DROP OUT FUSE</p> <p>HV 60</p>
 <p>CLAMP TOP INSULATOR</p> <p>HV 61</p>	 <p>SINGLE PHASE RECLOSER IN-LINE ODF/STAND-OFF BRACKETS WITH SINGLE PH TX SUPPLY</p> <p>HV 65</p>		
 <p>DISTRIBUTION DESIGN CATALOGUE</p>	<p>COMPATIBLE UNIT</p>		<p>REVISION 3</p> <p>DATE MAY 2024</p>
	<p>HV COMPATIBLE UNITS</p>		<p>DRAWING No. HV INDEX Sheet 2 of 2</p>



PUBLIC

CU	CU DESCRIPTION
HV1_2PH	Intermediate_2 phase 1.9 m steel cross-arm

ITEM NUMBER	STOCK NUMBER	DESCRIPTION	QTY RQD	UNIT OF MEASURE	REMARKS
1	IC0086	Stand-off insulator, tie top 33kV, Raychem	2	ea	
2	CB0109	Unitised xarm, 1.9m hollow galvanised with raiser	1	ea	
3	AB6733	Pole bolt M16 x 400mm c/w nut, washers & coil spring	2	ea	
4	AB4822	Insulator stud M24, 173mm long	2	ea	
5	CB0355	Cross arm end cap 75mm x 75mm Plastic	2	ea	

CU	CU DESCRIPTION
HV1_3PH	Intermediate_3 phase 1.9 m steel cross-arm

ITEM NUMBER	STOCK NUMBER	DESCRIPTION	QTY RQD	UNIT OF MEASURE	REMARKS
1	IC0086	Stand-off insulator, tie top 33kV, Raychem	3	ea	
2	CB0109	Unitised xarm, 1.9m hollow galvanised with raiser	1	ea	
3	AB6733	Pole bolt M16 x 400mm c/w nut, washers & coil spring	2	ea	
4	AB4822	Insulator stud M24, 173mm long	3	ea	
5	CB0355	Cross arm end cap 75mm x 75mm Plastic	2	ea	

CU	CU DESCRIPTION
HV1_3PH_2.4M	Intermediate_3 phase 2.4 m steel cross-arm

ITEM NUMBER	STOCK NUMBER	DESCRIPTION	QTY RQD	UNIT OF MEASURE	REMARKS
1	IC0086	Stand-off insulator, tie top 33kV, Raychem	3	ea	
2	CB1121	Xarm metal, 2.4mx 102mm square hollow galv.	1	ea	
3	AB6733	Pole bolt M16 x 400mm c/w nut, washers & coil spring	1	ea	
4	AB6732	Pole bolt M16 x 550mm c/w nut, washers & coil spring	1	ea	
5	AB4822	Insulator stud M24, 173mm long	3	ea	
6	CR1039	Xarm raiser bracket, galvansied, 635mm x 380mm	1	ea	
7	CB0356	Cross arm end cap 100mm x 100mm Plastic	2	ea	

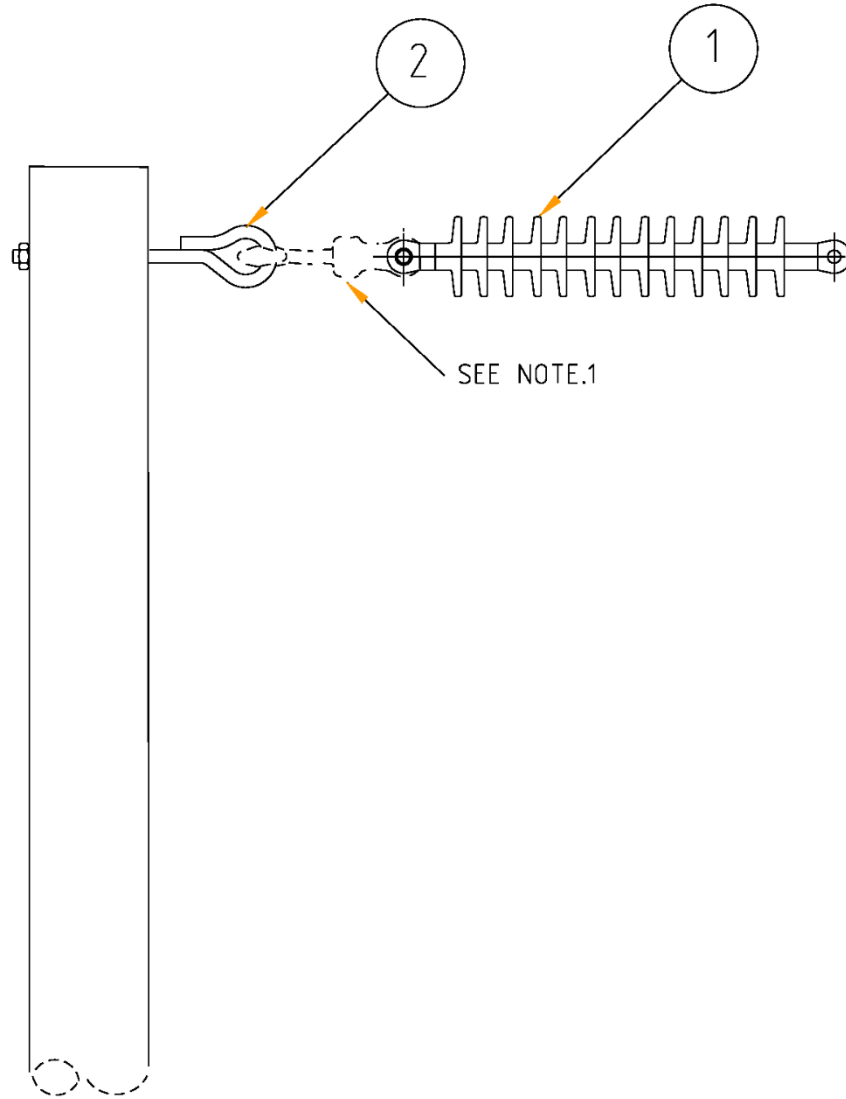
PUBLIC

CU	CU DESCRIPTION
HV1_3PH_AS	Intermediate_3 phase 3.3 m Anti Swan steel x-arm (0.53 m raiser)

ITEM NUMBER	STOCK NUMBER	DESCRIPTION	QTY RQD	UNIT OF MEASURE	REMARKS
1	IC0086	Stand-off insulator, tie top 33kV, Raychem	3	ea	
2	CB0114	Unitised steel xarm, 3.3m with 0.53m raiser	1	ea	
3	AB6733	Pole bolt M16 x 400mm c/w nut, washers & coil spring	2	ea	
4	AB4822	Insulator stud M24, 173mm long	3	ea	
5	CB0357	Cross arm end cap 125mm x 75mm Plastic	2	ea	


CU	CU DESCRIPTION
HV1_3PH_AS1	Intermediate_3 phase 3.3 m Anti Swan steel cross-arm (1 m raiser)

ITEM NUMBER	STOCK NUMBER	DESCRIPTION	QTY RQD	UNIT OF MEASURE	REMARKS
1	IC0086	Stand-off insulator, tie top 33kV, Raychem	3	ea	
2	CB0111	Unitised steel xarm, 3.3m with 1m raiser	1	ea	
3	AB6733	Pole bolt M16 x 400mm c/w nut, washers & coil spring	2	ea	
4	AB4822	Insulator stud M24, 173mm long	3	ea	
5	CB0357	Cross arm end cap 125mm x 75mm Plastic	2	ea	



NOTES:

1. FOR VERTICAL TERMINATION, BALL HOOK AND SOCKET TONGUE ARE NOT REQUIRED.
REFER TO CN6 AND CN8 FOR REQUIRED ADDITIONAL RDA COMPONENTS

 DISTRIBUTION DESIGN CATALOGUE OPERATIONS DIVISION	COMPATIBLE UNIT	REVISION 4	DATE MAY 2024
	1 PHASE VERTICAL TERMINATION AND RUNNING DISK ANGLE	DRAWING No. HV3	

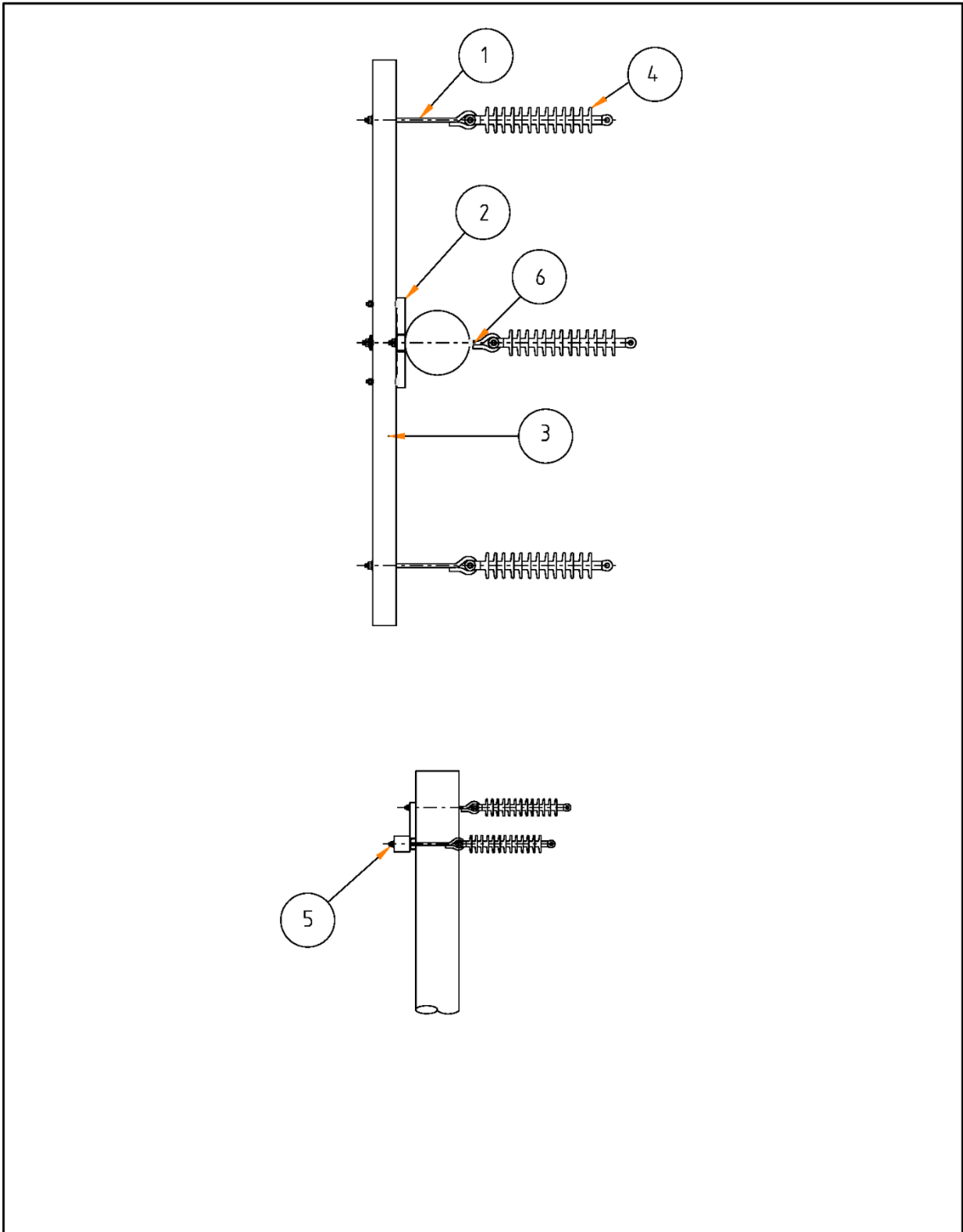
PUBLIC


CU	CU DESCRIPTION
HV3_1PH	Running disk angle _1 phase

ITEM NUMBER	STOCK NUMBER	DESCRIPTION	QTY RQD	UNIT OF MEASURE	REMARKS
1	IC0041	Strain Insulator, 33kV 70kN Synthetic Composite, Long Rod Red H/Pollution Tongue and Clevis	1	ea	
2	AB6025	Eyebolt 16mm dia 400mm long	1	ea	

CU	CU DESCRIPTION
HV3_1PH_EX	Running disk angle _1 phase_ Extended Eye Bolt

ITEM NUMBER	STOCK NUMBER	DESCRIPTION	QTY RQD	UNIT OF MEASURE	REMARKS
1	IC0041	Strain Insulator, 33kV 70kN Synthetic Composite, Long Rod Red H/Pollution Tongue and Clevis	1	ea	
2	AB6057	Extended eyebolt 20mm dia	1	ea	



 DISTRIBUTION DESIGN CATALOGUE OPERATIONS DIVISION	COMPATIBLE UNIT	REVISION 3	DATE 19.05.14
	HORIZONTAL TERMINATION	DRAWING No. HV5	

PUBLIC

CU	CU DESCRIPTION
HV5_2PH	Horizontal Termination_2 phase

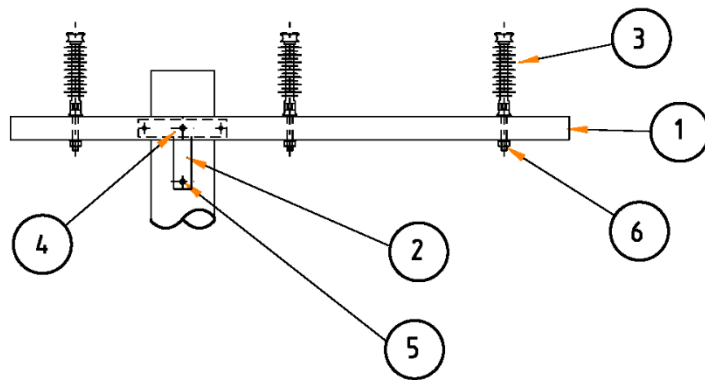
ITEM NUMBER	STOCK NUMBER	DESCRIPTION	QTY RQD	UNIT OF MEASURE	REMARKS
1	AB6020	Eyebolt 16mm dia 200mm long	2	ea	
2	CB3025	Xarm bracket supplied with nuts & bolts	1	ea	
3	CB0118	Steel xarm 2.0m x 127mm x 76mm hollow galv.	1	ea	
4	IC0041	Strain Insulator, 33kV 70kN Synthetic Composite, Long Rod Red H/Pollution Tongue and Clevis	2	ea	
5	AB6733	Pole bolt M16 x 400mm c/w nut, washers & coil spring	2	ea	
7	CB0357	Cross arm end cap 125mm x 75mm Plastic	2	ea	


CU	CU DESCRIPTION
HV5_3PH	Horizontal Termination_3 phase

ITEM NUMBER	STOCK NUMBER	DESCRIPTION	QTY RQD	UNIT OF MEASURE	REMARKS
1	AB6020	Eyebolt 16mm dia 200mm long	2	ea	
2	CB3025	Xarm bracket supplied with nuts & bolts	1	ea	
3	CB0118	Steel xarm 2.0m x 127mm x 76mm hollow galv.	1	ea	
4	IC0041	Strain Insulator, 33kV 70kN Synthetic Composite, Long Rod Red H/Pollution Tongue and Clevis	3	ea	
5	AB6733	Pole bolt M16 x 400mm c/w nut, washers & coil spring	1	ea	
6	AB6025	Eyebolt 16mm dia 400mm long	1	ea	
7	CB0357	Cross arm end cap 125mm x 75mm Plastic	2	ea	

CU	CU DESCRIPTION
HV5_3PH_AS	Horizontal Termination_3 phase_Anti Swan

ITEM NUMBER	STOCK NUMBER	DESCRIPTION	QTY RQD	UNIT OF MEASURE	REMARKS
1	AB6020	Eyebolt 16mm dia 200mm long	2	ea	
2	CB3025	Xarm bracket supplied with nuts & bolts	1	ea	
3	CB0107	Anti-swan steel xarm metal 3.3m long	1	ea	
4	IC0041	Strain Insulator, 33kV 70kN Synthetic Composite, Long Rod Red H/Pollution Tongue and Clevis	3	ea	
5	AB6733	Pole bolt M16 x 400mm c/w nut, washers & coil spring	1	ea	
6	AB6025	Eyebolt 16mm dia 400mm long	1	ea	
7	CB0357	Cross arm end cap 125mm x 75mm Plastic	2	ea	

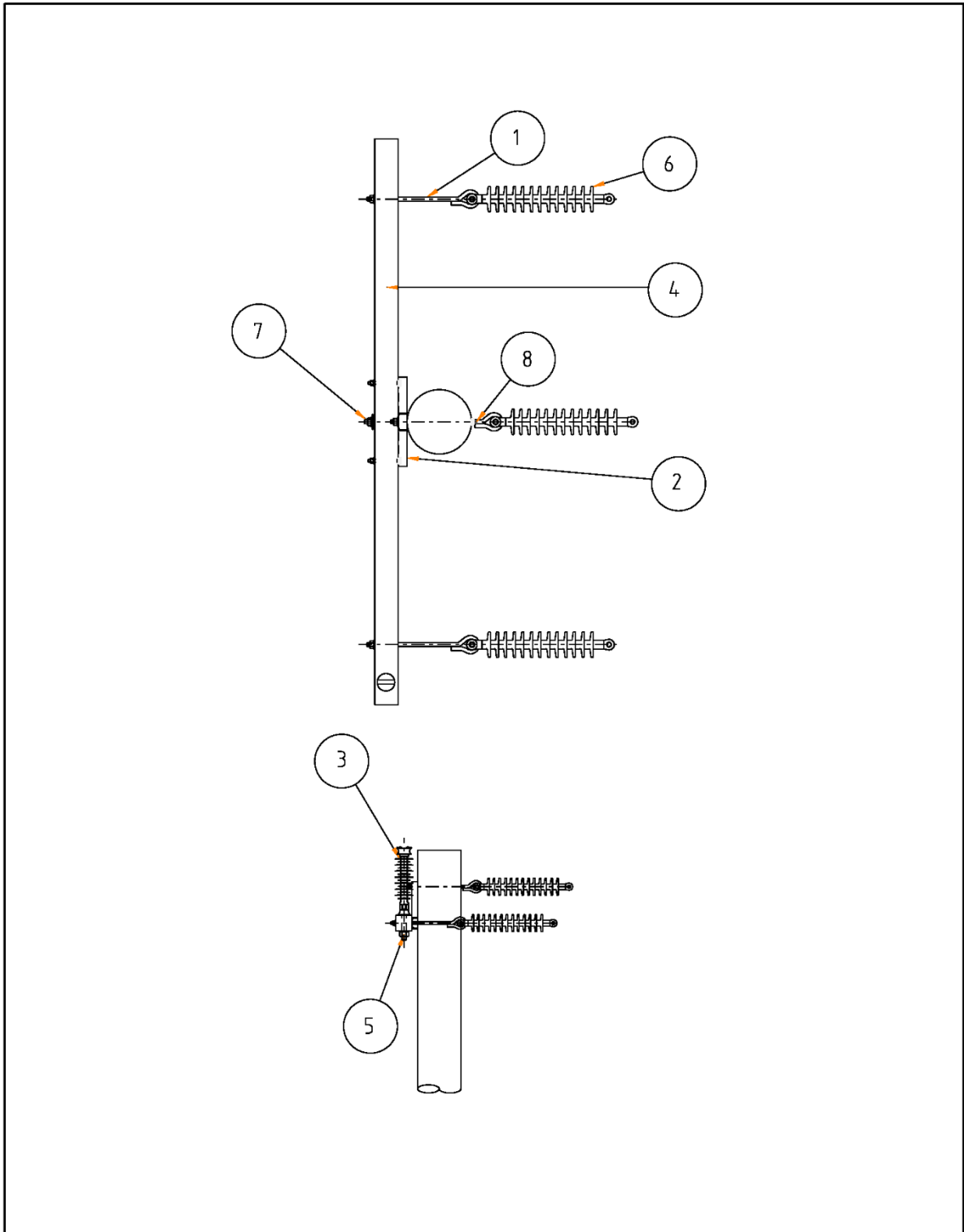



 DISTRIBUTION DESIGN CATALOGUE	COMPATIBLE UNIT	REVISION 3	DATE 3/04/19
	INTERMEDIATE OFFSET	DRAWING No. HV6	

PUBLIC

CU	CU DESCRIPTION
HV6_3PH	Intermediate off set_3 phase

ITEM NUMBER	STOCK NUMBER	DESCRIPTION	QTY RQD	UNIT OF MEASURE	REMARKS
1	CB1121	Xarm metal, 2.4mx 102mm square hollow galv.	1	ea	
2	CB3025	Xarm bracket supplied with nuts & bolts	1	ea	
3	IC0086	Stand-off insulator, tie top 33kV, Raychem	3	ea	
4	AB6733	Pole bolt M16 x 400mm c/w nut, washers & coil spring	1	ea	
5	AB6734	Pole bolt M16 x 300mm c/w nut, washers & coil spring	1	ea	
6	AB4822	Insulator stud M24, 173mm long	3	ea	
7	CB0356	Cross arm end cap 100mm x 100mm Plastic	2	ea	



 DISTRIBUTION DESIGN CATALOGUE OPERATIONS DIVISION	COMPATIBLE UNIT	REVISION 3	DATE 19.05.14
	TERMINATION TEE OFF	DRAWING No. HV7	

PUBLIC

CU	CU DESCRIPTION
HV7_2PH	Termination with tee off post insulator_2 phase

ITEM NUMBER	STOCK NUMBER	DESCRIPTION	QTY RQD	UNIT OF MEASURE	REMARKS
1	AB6020	Eyebolt 16mm dia 200mm long	2	ea	
2	CB3025	Xarm bracket supplied with nuts & bolts	1	ea	
3	IC0086	Stand-off insulator, tie top 33kV, Raychem	1	ea	
4	CB0118	Steel xarm 2.0m x 127mm x 76mm hollow galv.	1	ea	
5	AB4822	Insulator stud M24, 173mm long	1	ea	
6	IC0041	Strain Insulator, 33kV 70kN Synthetic Composite, Long Rod Red H/Pollution Tongue and Clevis	2	ea	
7	AB6733	Pole bolt M16 x 400mm c/w nut, washers & coil spring	2	ea	
9	CB0357	Cross arm end cap 125mm x 75mm Plastic	2	ea	

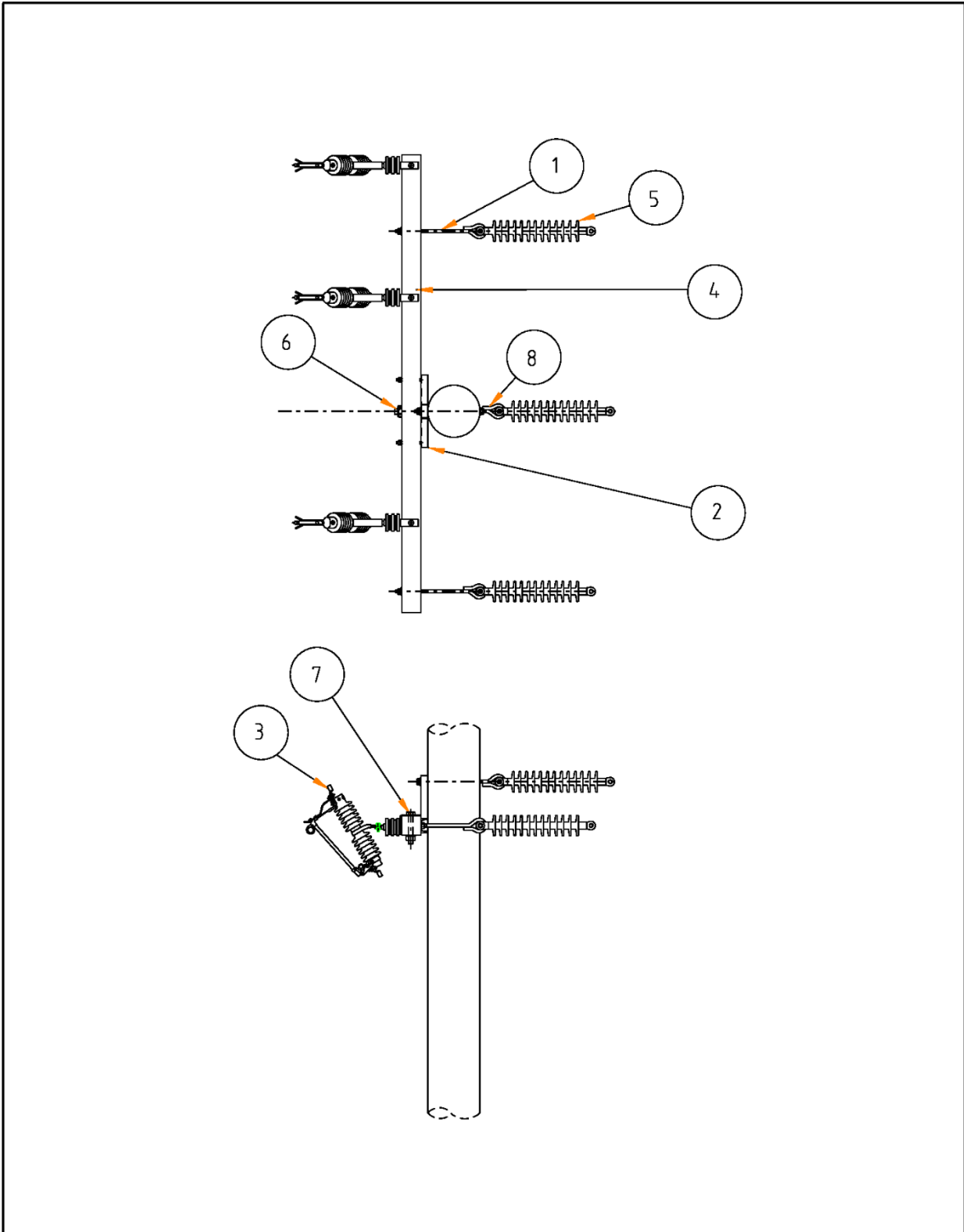
CU	CU DESCRIPTION
HV7_3PH	Termination with tee off post insulator_3 phase


ITEM NUMBER	STOCK NUMBER	DESCRIPTION	QTY RQD	UNIT OF MEASURE	REMARKS
1	AB6020	Eyebolt 16mm dia 200mm long	2	ea	
2	CB3025	Xarm bracket supplied with nuts & bolts	1	ea	
3	IC0086	Stand-off insulator, tie top 33kV, Raychem	1	ea	
4	CB0118	Steel xarm 2.0m x 127mm x 76mm hollow galv.	1	ea	
5	AB4822	Insulator stud M24, 173mm long	1	ea	
6	IC0041	Strain Insulator, 33kV 70kN Synthetic Composite, Long Rod Red H/Pollution Tongue and Clevis	3	ea	
7	AB6733	Pole bolt M16 x 400mm c/w nut, washers & coil spring	1	ea	
8	AB6025	Eyebolt 16mm dia 400mm long	1	ea	
9	CB0357	Cross arm end cap 125mm x 75mm Plastic	2	ea	

PUBLIC

CU	CU DESCRIPTION
HV7_3PH_AS	Termination with tee off post insulator_3 phase_Anti Swan

ITEM NUMBER	STOCK NUMBER	DESCRIPTION	QTY RQD	UNIT OF MEASURE	REMARKS
1	AB6020	Eyebolt 16mm dia 200mm long	2	ea	
2	CB3025	Xarm bracket supplied with nuts & bolts	1	ea	
3	IC0086	Stand-off insulator, tie top 33kV, Raychem	1	ea	
4	CB0107	Anti-swan xarm metal 3.3m long hollow galv.	1	ea	
5	AB4822	Insulator stud M24, 173mm long	1	ea	
6	IC0041	Strain Insulator, 33kV 70kN Synthetic Composite, Long Rod Red H/Pollution Tongue and Clevis	3	ea	
7	AB6733	Pole bolt M16 x 400mm c/w nut, washers & coil spring	1	ea	
8	AB6025	Eyebolt 16mm dia 400mm long	1	ea	
9	CB0357	Cross arm end cap 125mm x 75mm Plastic	2	ea	



 DISTRIBUTION DESIGN CATALOGUE OPERATIONS DIVISION	COMPATIBLE UNIT	REVISION 2	DATE 19.05.14
	TERMINATION / T- OFF WITH DROP OUT FUSES	DRAWING No. HV8	

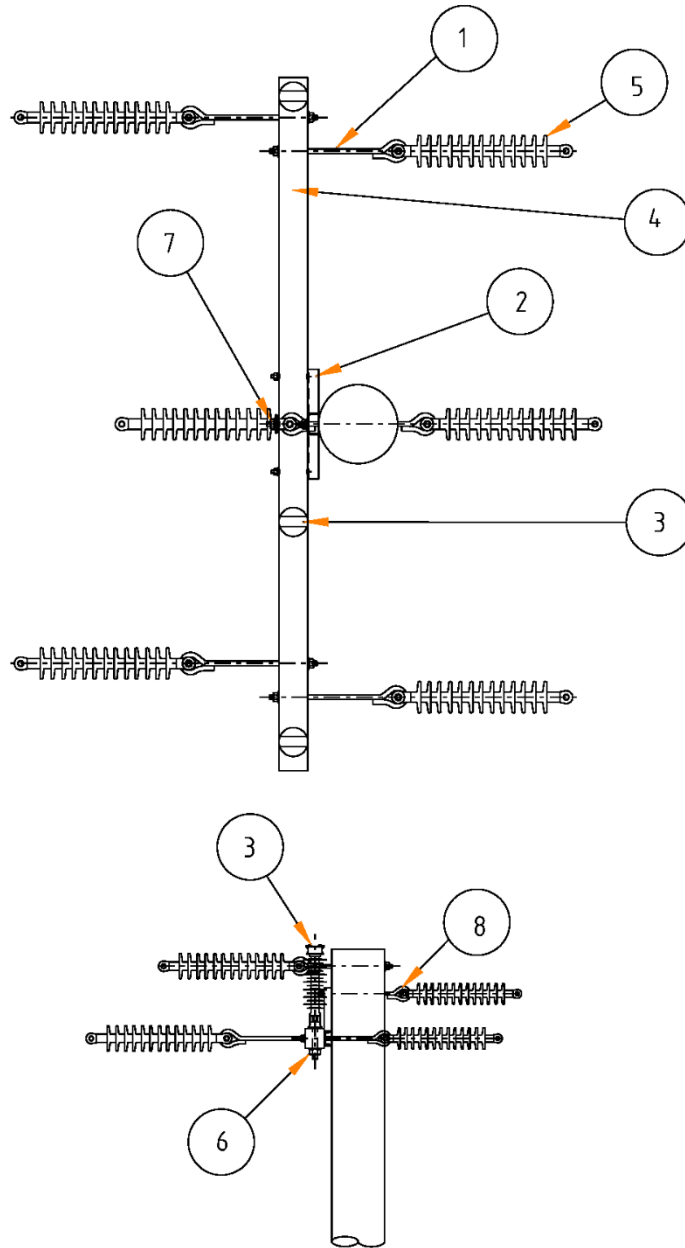
PUBLIC


CU	CU DESCRIPTION
HV8_2PH	Tee off termination with drop-out fuses_2 phase

ITEM NUMBER	STOCK NUMBER	DESCRIPTION	QTY RQD	UNIT OF MEASURE	REMARKS
1	AB6020	Eyebolt 16mm dia 200mm long	2	ea	
2	CB3025	Xarm bracket supplied with nuts & bolts	1	ea	
3		Select from HV53 for Drop-out Fuse base and HV51 for Fuse link	2	ea	
4	CB0117	Steel xarm 2.4m x 127mm x 76mm hollow galv.	1	ea	
5	IC0041	Strain Insulator, 33kV 70kN Synthetic Composite, Long Rod Red H/Pollution Tongue and Clevis	2	ea	
6	AB6733	Pole bolt M16 x 400mm c/w nut, washers & coil spring	2	ea	
7	AB4677	Bolt M20 x 150mm long for fuse base	2	ea	
9	CB0357	Cross arm end cap 125mm x 75mm Plastic	2	ea	

CU	CU DESCRIPTION
HV8_3PH	Tee off termination with drop-out fuses_3 phase

ITEM NUMBER	STOCK NUMBER	DESCRIPTION	QTY RQD	UNIT OF MEASURE	REMARKS
1	AB6020	Eyebolt 16mm dia 200mm long	2	ea	
2	CB3025	Xarm bracket supplied with nuts & bolts	1	ea	
3		Select from HV53 for Drop-out Fuse base and HV51 for Fuse link	3	ea	
4	CB0117	Steel xarm 2.4m x 127mm x 76mm hollow galv.	1	ea	
5	IC0041	Strain Insulator, 33kV 70kN Synthetic Composite, Long Rod Red H/Pollution Tongue and Clevis	3	ea	
6	AB6733	Pole bolt M16 x 400mm c/w nut, washers & coil spring	1	ea	
7	AB4677	Bolt M20 x 150mm long for fuse base	3	ea	
8	AB6025	Eyebolt 16mm dia 400mm long	1	ea	
9	CB0357	Cross arm end cap 125mm x 75mm Plastic	2	ea	



 DISTRIBUTION DESIGN CATALOGUE OPERATIONS DIVISION	COMPATIBLE UNIT	REVISION 3	DATE 19.05.14
	INLINE STRAIN	DRAWING No. HV9	

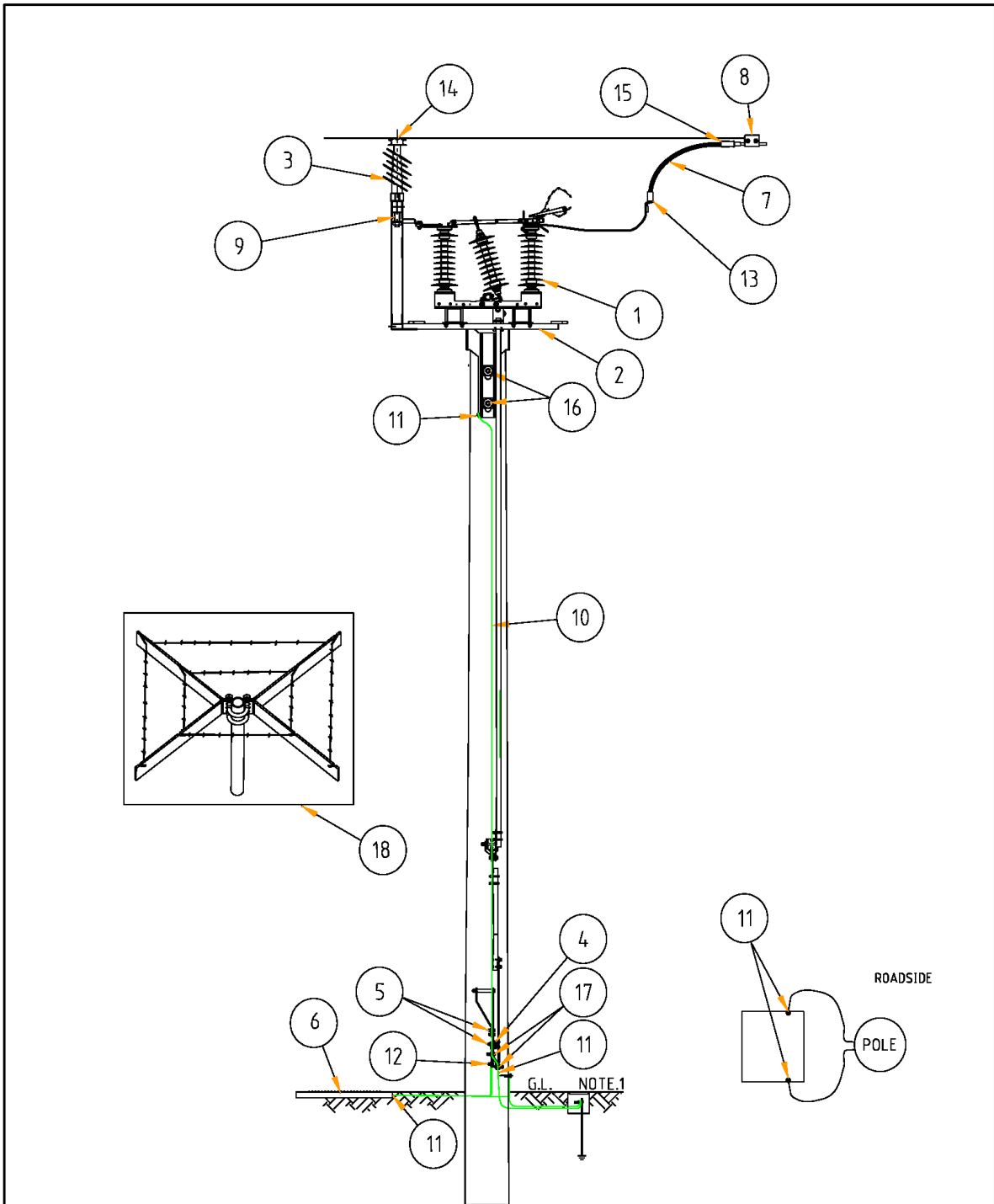
PUBLIC

CU	CU DESCRIPTION
HV9_2PH	In line strain_2 phase


ITEM NUMBER	STOCK NUMBER	DESCRIPTION	QTY RQD	UNIT OF MEASURE	REMARKS
1	AB6020	Eyebolt 16mm dia 200mm long	4	ea	
2	CB3025	Xarm bracket supplied with nuts & bolts	1	ea	
3	IC0086	Stand-off insulator, tie top 33kV, Raychem	2	ea	
4	CB1121	Xarm metal, 2.4m x 102mm square hollow galv.	1	ea	
5	IC0041	Strain Insulator, 33kV 70kN Synthetic Composite, Long Rod Red H/Pollution Tongue and Clevis	4	ea	
6	AB4822	Insulator stud M24, 173mm long	2	ea	
7	AB6733	Pole bolt M16 x 400mm c/w nut, washers & coil spring	2	ea	
9	CB0356	Cross arm end cap 100mm x 100mm Plastic	2	ea	

CU	CU DESCRIPTION
HV9_3PH	In line strain_3 phase

ITEM NUMBER	STOCK NUMBER	DESCRIPTION	QTY RQD	UNIT OF MEASURE	REMARKS
1	AB6020	Eyebolt 16mm dia 200mm long	4	ea	
2	CB3025	Xarm bracket supplied with nuts & bolts	1	ea	
3	IC0086	Stand-off insulator, tie top 33kV, Raychem	3	ea	
4	CB1121	Xarm metal, 2.4m x 102mm square hollow galv.	1	ea	
5	IC0041	Strain Insulator, 33kV 70kN Synthetic Composite, Long Rod Red H/Pollution Tongue and Clevis	6	ea	
6	AB4822	Insulator stud M24, 173mm long	3	ea	
7	AB6733	Pole bolt M16 x 400mm c/w nut, washers & coil spring	1	ea	
8	AB6025	Eyebolt 16mm dia 400mm long	2	ea	
9	CB0356	Cross arm end cap 100mm x 100mm Plastic	2	ea	



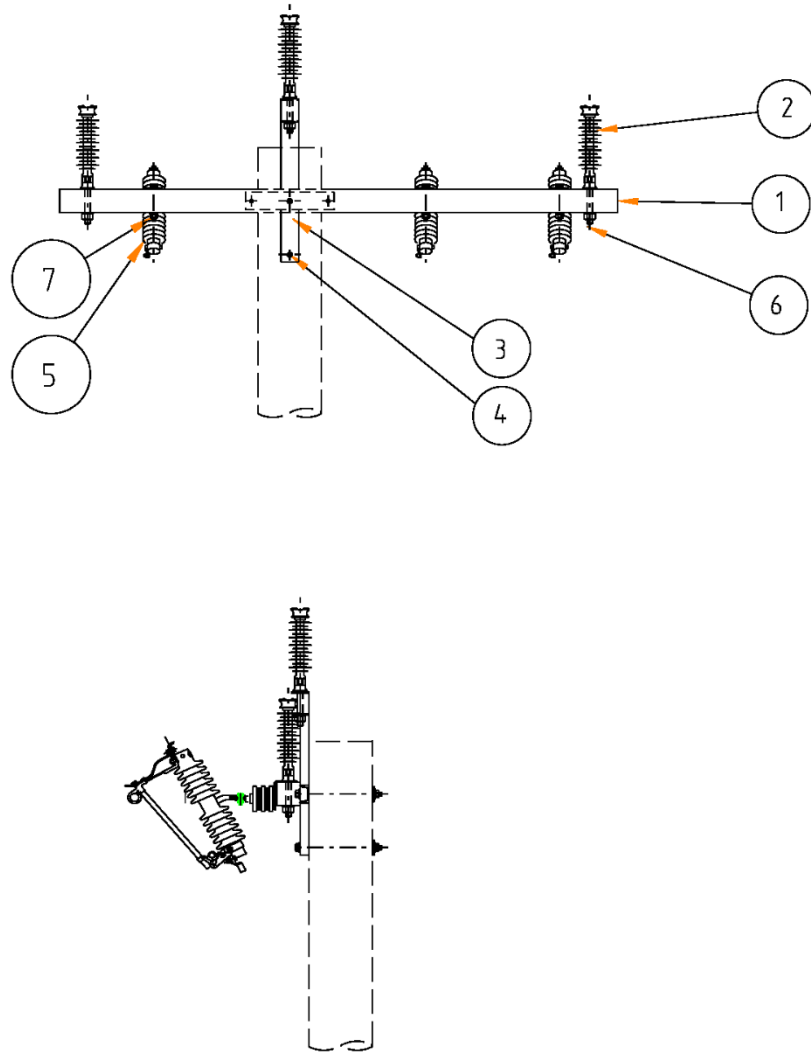
NOTES:
 1) EXCLUDES THE EARTHING COMPATIBLE UNIT, REFER TO P019_C


 DISTRIBUTION DESIGN CATALOGUE	COMPATIBLE UNIT	REVISION 3	DATE MAY 24
	COMBINATION FLYOVER POLE TOP SWITCH LOAD-BREAKABLE SWITCH	DRAWING No. HV11-2	

PUBLIC

CU	CU DESCRIPTION
HV11_33_LB	Combination flyover PTS_load-breakable _33 kV

ITEM NUMBER	STOCK NUMBER	DESCRIPTION	QTY RQD	UNIT OF MEASURE	REMARKS
1	GSH0130	Pole top switch 33kV supplied with fittings and handle	1	ea	
2	CB0474	Raiser frame c/w clamps, nuts and washers	1	ea	
3	IC0086	Stand-off insulator, tie top 33kV, Raychem	3	ea	
4	CC0300	Half clamp, brass, M5, tinned	2	ea	
5	FL1465	Lug, 70mm ² Cu, tin plated suits M12 bolt	2	ea	
6	DC4801	Earthing mat, concrete steel mesh c/w galv. term strips	1	ea	
7	FT0150	Lead 150 ABC 4m long	1	ea	
8		Select Parallel Groove (PG) clamp to suit conductor. Select from CN9	3	ea	
9	AB4822	Insulator stud M24, 173mm long	3	ea	
10	EE1264	Wire 70sqmm 19/2.14 stranded copper	15	mtr	
11	FL0143	Lug 50-70sqmm, 19/1.78-19/2.14, Cu Alloy M12	5	ea	
12	OH0194	Padlock - new restricted profile mast	1	ea	
13	FL0402	Lug bi-metal 150 ABC suits M12 bolt	3	ea	
14		Select ties from CN26 or CN27	3	ea	
15		Splice 150 ABC to suit conductor and PG clamp. Select from CN69 or CN70	3	ea	
16	AB6737 AW3525	Pole bolt M20 x 400mm c/w nut, washers & coil spring Washer, flat M20	2 2	ea	Frame
17	AB6736	Pole bolt M12 x 400mm c/w nut, washers & coil spring	2	ea	Handle
18	CBH0130	Anti-climbing bracket	1	ea	Ref. 1 of index table.



 HORIZON POWER DISTRIBUTION DESIGN CATALOGUE OPERATIONS DIVISION	COMPATIBLE UNIT	REVISION 2	DATE 7/06/2023
	INTERMEDIATE OFF SET WITH DROP OUT FUSES	DRAWING No. HV12	

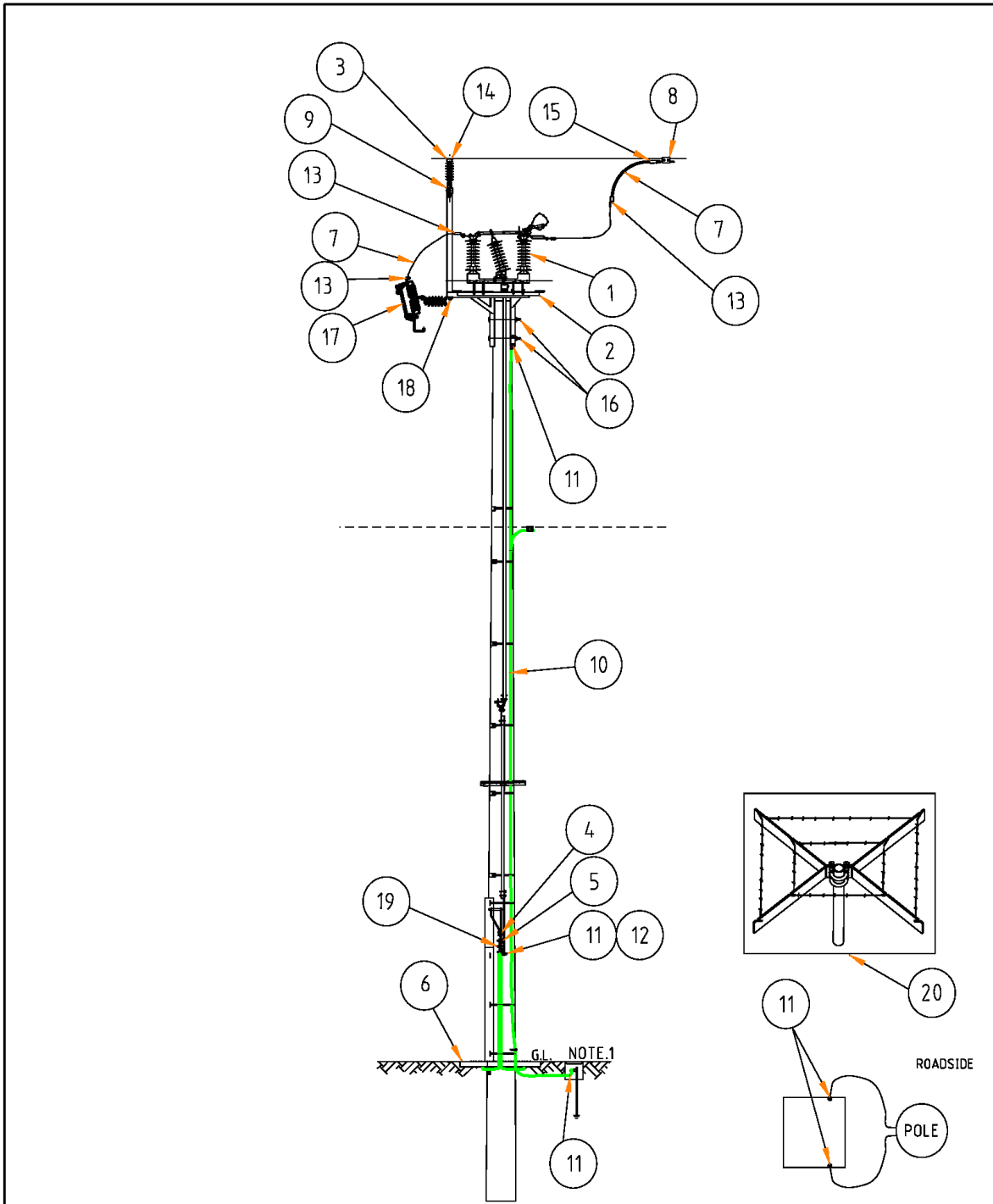
PUBLIC

CU	CU DESCRIPTION
HV12_2PH	Intermediate off set with drop-out fuses_2 phase


ITEM NUMBER	STOCK NUMBER	DESCRIPTION	QTY RQD	UNIT OF MEASURE	REMARKS
1	CB1121	Xarm metal, 2.4m x 102mm square hollow galv.	1	ea	
2	IC0086	Stand-off insulator, tie top 33kV, Raychem	2	ea	
3	CB3025	Xarm bracket supplied with nuts & bolts	1	ea	
4	AB6733	Pole bolt M16 x 400mm c/w nut, washers & coil spring	2	ea	
5		Select from HV53 for Drop-out Fuse base and HV51 for Fuse link	2	ea	
6	AB4822	Insulator stud M24, 173mm long	2	ea	
7	AB4677	Bolt M20 x 150mm long for fuse base	2	ea	
8	CB0356	Cross arm end cap 100mm x 100mm Plastic	2	ea	

CU	CU DESCRIPTION
HV12_3PH	Intermediate off set with drop-out fuses_3 phase

ITEM NUMBER	STOCK NUMBER	DESCRIPTION	QTY RQD	UNIT OF MEASURE	REMARKS
1	CB1121	Xarm metal, 2.4m x 102mm square hollow galv.	1	ea	
2	IC0086	Stand-off insulator, tie top 33kV, Raychem	3	ea	
3	CR1039	Xarm raiser bracket, galvansied, 635mm x 380mm	1	ea	
4	AB6732 AB6733	Pole bolt M16 x 550mm c/w nut, washers & coil spring Pole bolt M16 x 400mm c/w nut, washers & coil spring	1 1	ea ea	
5		Select from HV53 for Drop-out Fuse base and HV51 for Fuse link	3	ea	
6	AB4822	Insulator stud M24, 173mm long	3	ea	
7	AB4677	Bolt M20 x 150mm long for fuse base	3	ea	
8	CB0356	Cross arm end cap 100mm x 100mm Plastic	2	ea	



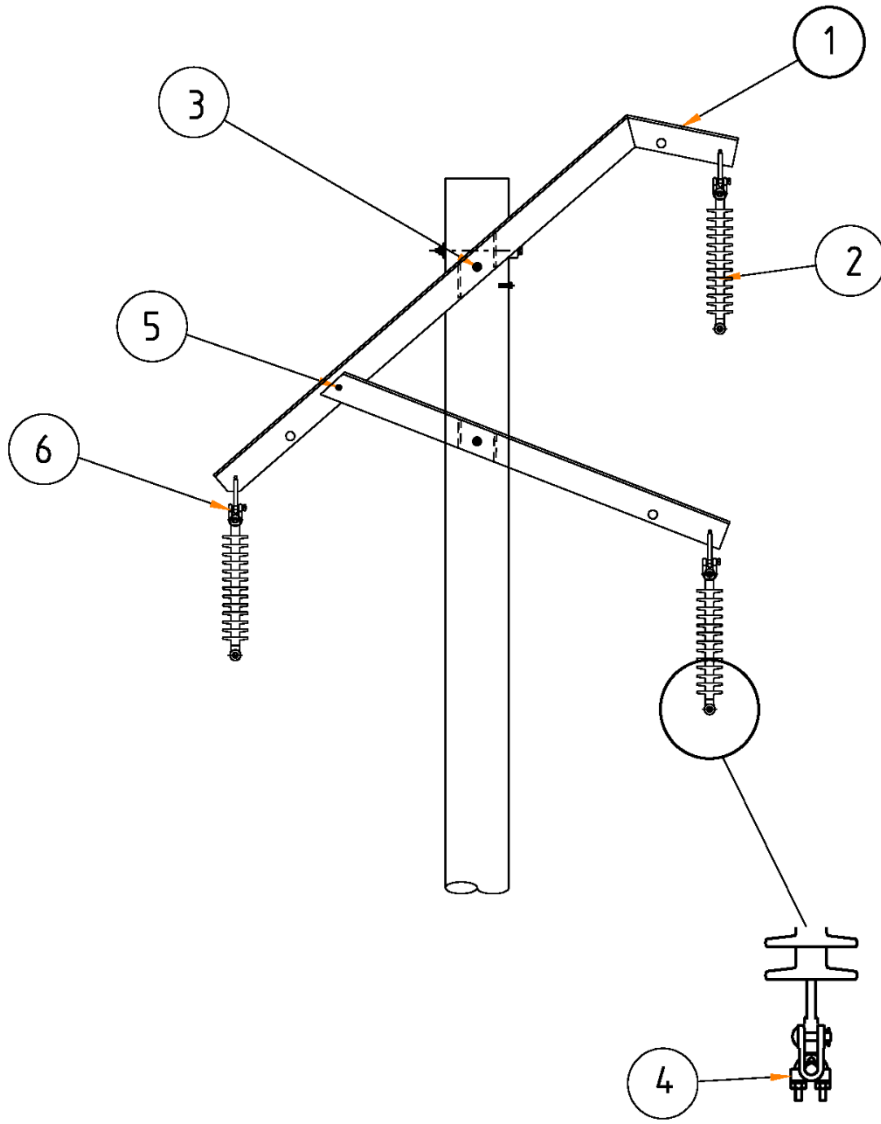
NOTES:
 1) EXCLUDES THE EARTHING COMPATIBLE UNIT, REFER TO P019_C


 DISTRIBUTION DESIGN CATALOGUE	COMPATIBLE UNIT	REVISION 3	DATE MAY 24
	COMBINATION FLYOVER POLE TOP SWITCH WITH DROP OUT FUSES LOAD-BREAKABLE SWITCH	DRAWING No. HV13-2	

PUBLIC

CU	CU DESCRIPTION
HV13_33_LB	Combination flyover load-breakable PTS with drop-out fuses_33 kV

ITEM NUMBER	STOCK NUMBER	DESCRIPTION	QTY RQD	UNIT OF MEASURE	REMARKS
1	GSH0130	Pole top switch 33kV supplied with fittings and handle	1	ea	
2	CB0474	Raiser frame c/w clamps, nuts and washers	1	ea	
3	IC0086	Stand-off insulator, tie top 33kV, Raychem	3	ea	
4	CC0300	Half clamp, brass, M5, tinned	2	ea	
5	AB6736	Pole bolt M12 x 400mm c/w nut, washers & coil spring	2	ea	Handle
6	DC4801	Earthing mat, concrete steel mesh c/w galv. term strips	1	ea	
7	FT0150	Lead 150 ABC 4m long	2	ea	
8		Select Parallel Groove (PG) clamp to suit conductor. Select from CN9	3	ea	
9	AB4822	Insulator stud M24, 173mm long	3	ea	
10	EE1264	Wire 70sqmm 19/2.14 stranded copper	15	mtr	
11	FL0143	Lug 50-70sqmm, 19/1.78-19/2.14, Cu Alloy M12	5	ea	
12	OH0194	Padlock - new restricted profile mast	1	ea	
13	FL0402	Lug bi metal 12 dia hole 150 ABC	9	ea	
14		Select ties from CN26 or CN27	3	ea	
15		Splice 150 ABC to suit conductor and PG clamp. Select from CN69 or CN70	3	ea	
16	AB6737 AW3525	Pole bolt M20 x 400mm c/w nut, washers & coil spring Washer, flat M20	2 2	ea	Frame
17		Select from HV53 for Drop-out Fuse base and HV51 for Fuse link	3	ea	
18	AB4677	Bolt M16 x 50mm c/w nut for fuse base	3	ea	
19	FL1465	Lug, 70mm ² Cu, tin plated suits M12 bolt	2	ea	
20	CBH0130	Anti-climbing bracket	1	ea	Ref. 1 of index table

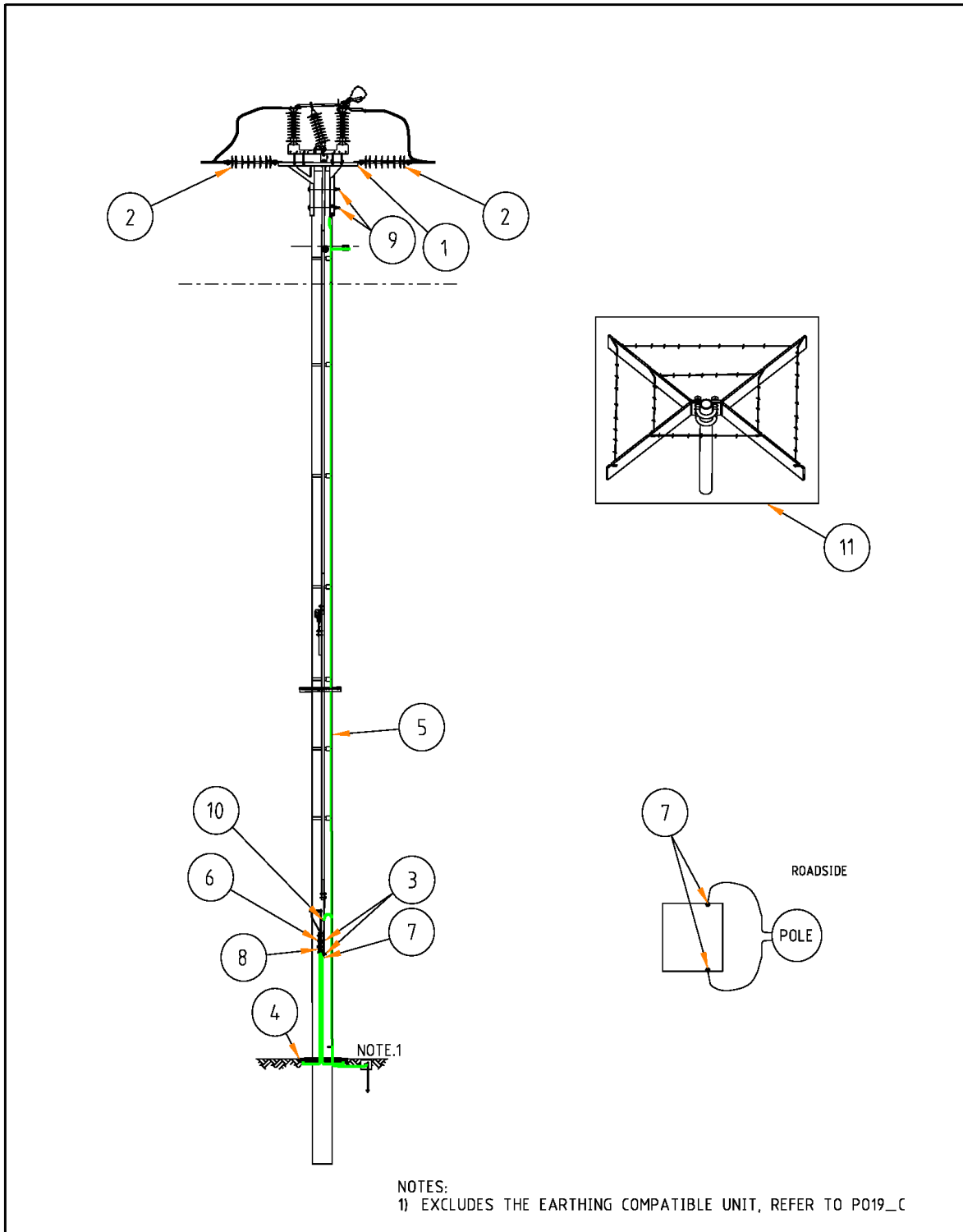



 HORIZON POWER DISTRIBUTION DESIGN CATALOGUE OPERATIONS DIVISION	COMPATIBLE UNIT	REVISION 3	DATE MAY 2024
	INTERMEDIATE WISHBONE	DRAWING No. HV18	

PUBLIC

CU	CU DESCRIPTION
HV18	Intermediate wishbone

ITEM NUMBER	STOCK NUMBER	DESCRIPTION	QTY RQD	UNIT OF MEASURE	REMARKS
1	CB0110	Xarm wishbone supplied with nuts and bolts	1	ea	
2	IC0041	Strain Insulator, 33kV 70kN Synthetic Composite, Long Rod Red H/Pollution Tongue and Clevis	3	ea	
3	AB6737	Pole bolt M20 x 400mm c/w nut, washers & coil spring	2	ea	
4	CC0175	Suspension clamp	3	ea	
5	AB4663	Machine screw 20mm x 50mm long	1	ea	
6	OS0055	Shackle; 16mm 70kN Galv bow	3	ea	

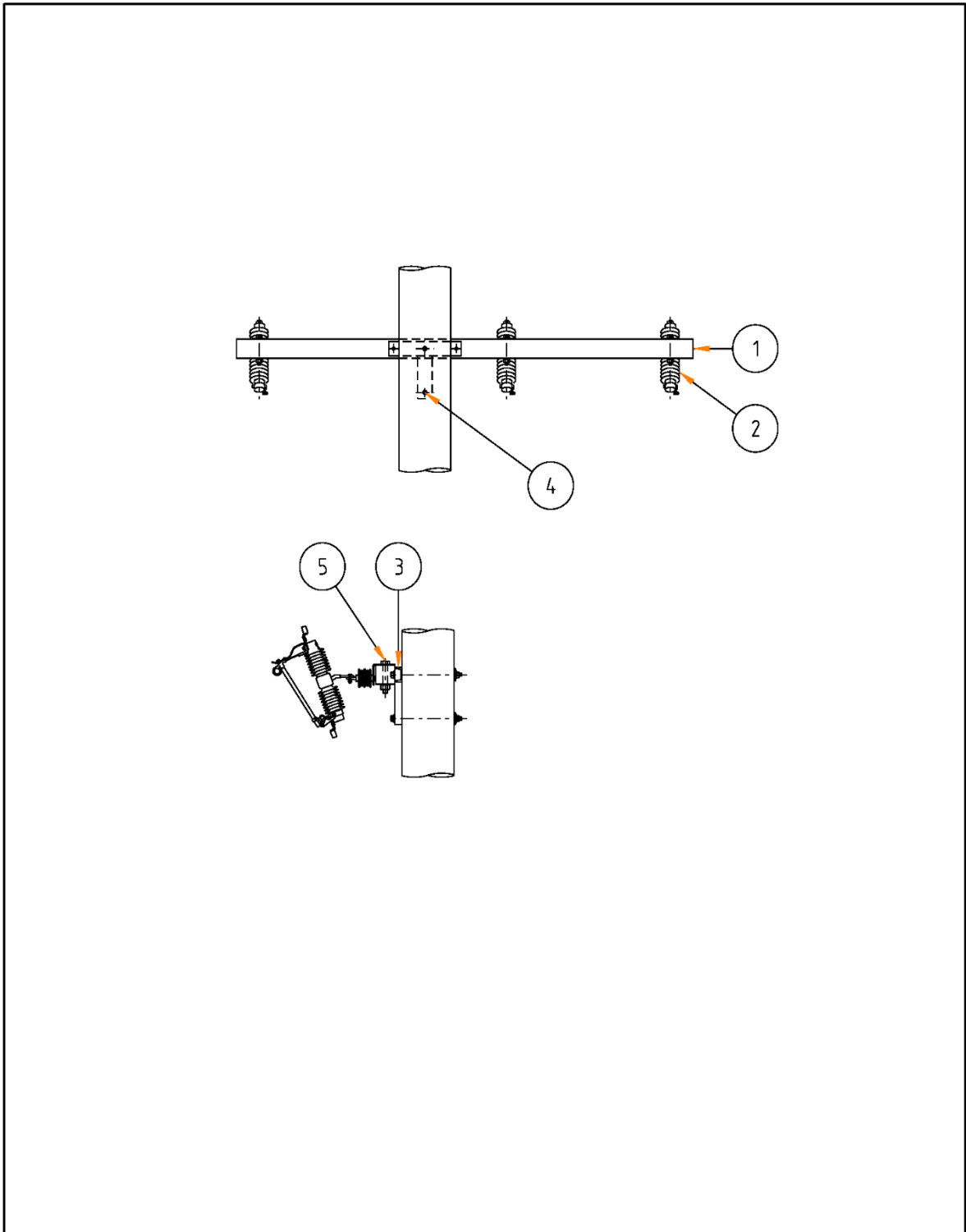



 DISTRIBUTION DESIGN CATALOGUE	COMPATIBLE UNIT	REVISION 3	DATE MAR. 24
	POLE TOP SWITCH LOAD-BREAKABLE SWITCH	DRAWING No. HV19-2	

PUBLIC

CU	CU DESCRIPTION
HV19_33_LB	Pole top switch_33 kV_load-breakable

ITEM NUMBER	STOCK NUMBER	DESCRIPTION	QTY RQD	UNIT OF MEASURE	REMARKS
1	GSH0130	Pole top switch 33kV supplied with fittings and handle	1	ea	
2	IC0041	Strain Insulator, 33kV 70kN Synthetic Composite, Long Rod Red H/Pollution Tongue and Clevis	6	ea	
3	AB6736	Pole bolt M12 x 400mm c/w nut, washers & coil spring	2	ea	Handle
4	DC4801	Earthing mat, concrete steel mesh c/w galv. term strips	1	ea	
5	EE1264	Wire 70sqmm 19/2.14 stranded copper	15	mtr	
6	CC0300	Half clamp, brass, M5, tinned	2	ea	
7	FL0143	Lug 50-70sqmm, 19/1.78-19/2.14, Cu Alloy M12	5	ea	
8	OH0194	Padlock - new restricted profile mast	1	ea	
9	AB6737	Pole bolt M20 x 400mm c/w nut, washers & coil spring	2	ea	Frame
10	FL1465	Lug, 70mm ² Cu, tin plated suits M12 bolt	2	ea	
11	CBH0130	Anti-climbing bracket	1	ea	Ref. 1 of index table



 HORIZON POWER DISTRIBUTION DESIGN CATALOGUE OPERATIONS DIVISION	COMPATIBLE UNIT	REVISION 3	DATE 7/06/2023
	DOF CROSSARM FOR INTERMEDIATE TRANSFORMER	DRAWING No. HV20	

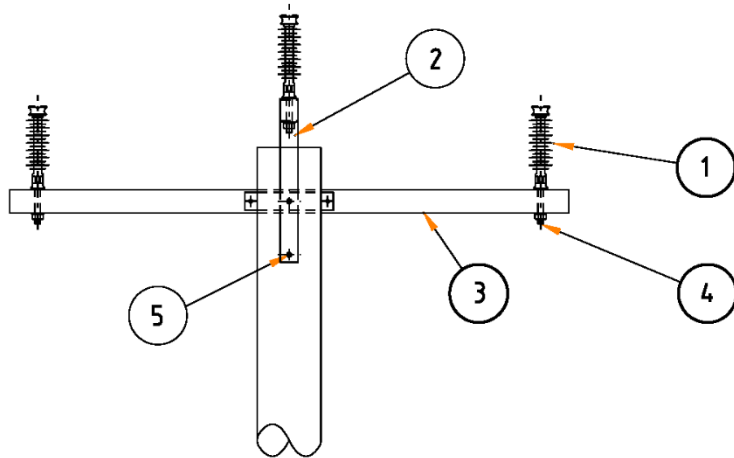
PUBLIC


CU	CU DESCRIPTION
HV20_2PH	Drop-out fuse cross-arm for intermediate Tx_2 phase

ITEM NUMBER	STOCK NUMBER	DESCRIPTION	QTY RQD	UNIT OF MEASURE	REMARKS
1	CB1121	Xarm metal, 2.4m x 102mm square hollow galv.	1	ea	
2		Select from HV53 for Drop-out Fuse base and HV51 for Fuse link	2	ea	
3	CB3025	Xarm bracket supplied with nuts & bolts	1	ea	
4	AB6733	Pole bolt M16 x 400mm c/w nut, washers & coil spring	2	ea	
5	AB4677	Bolt M20 x 150mm long for fuse base	2	ea	
6	CB0356	Cross arm end cap 100mm x 100mm Plastic	2	ea	

CU	CU DESCRIPTION
HV20_3PH	Drop-out fuse cross-arm for intermediate Tx_3 phase

ITEM NUMBER	STOCK NUMBER	DESCRIPTION	QTY RQD	UNIT OF MEASURE	REMARKS
1	CB1121	Xarm metal, 2.4m x 102mm square hollow galv.	1	ea	
2		Select from HV53 for Drop-out Fuse base and HV51 for Fuse link	3	ea	
3	CB3025	Xarm bracket supplied with nuts & bolts	1	ea	
4	AB6733	Pole bolt M16 x 400mm c/w nut, washers & coil spring	2	ea	
5	AB4677	Bolt M20 x 150mm long for fuse base	3	ea	
6	CB0356	Cross arm end cap 100mm x 100mm Plastic	2	ea	

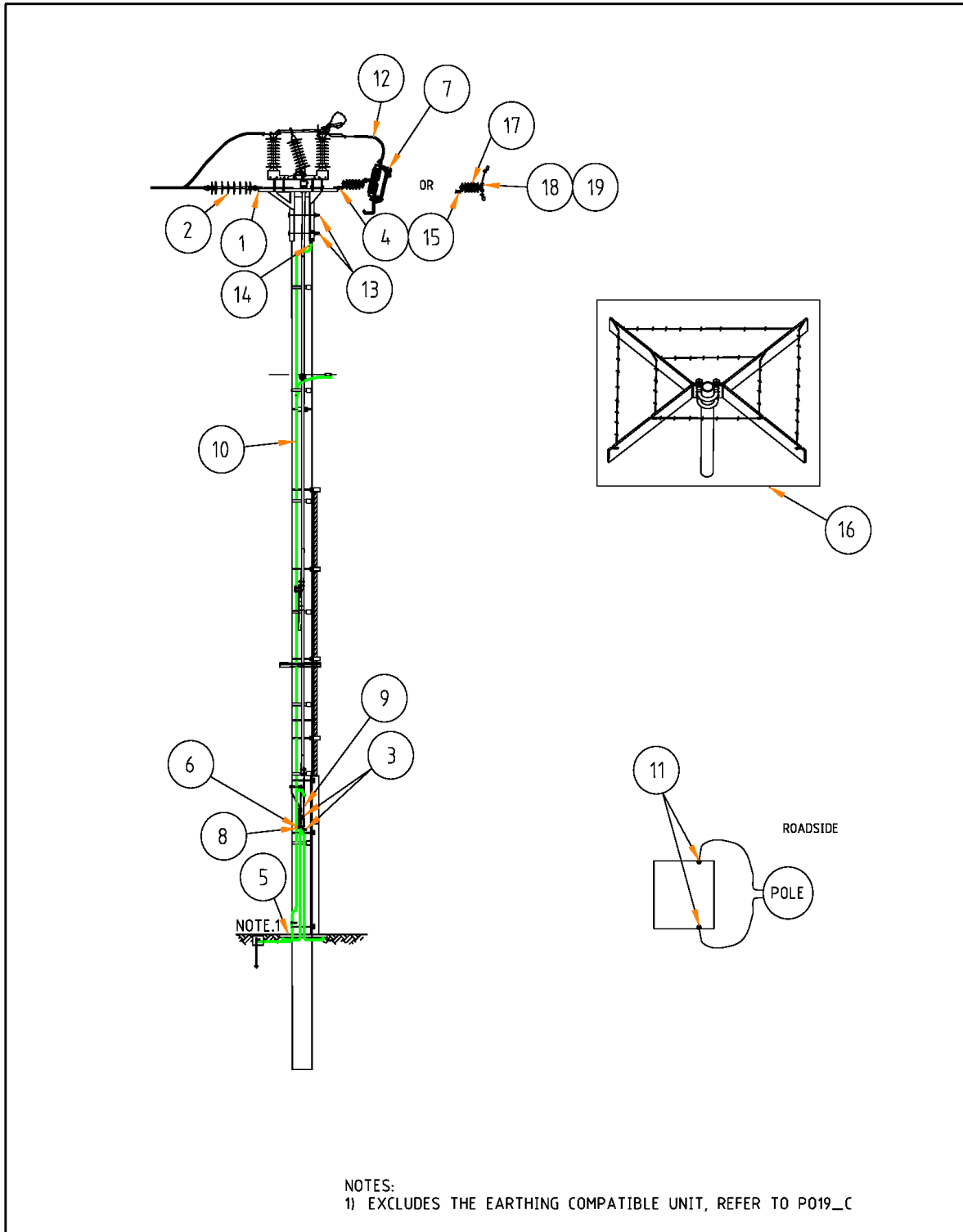


 DISTRIBUTION DESIGN CATALOGUE	COMPATIBLE UNIT	REVISION 2	DATE 29/01/13
	INTERMEDIATE EXTENDED RAISER	DRAWING No. HV21	
OPERATIONS DIVISION			


PUBLIC

CU	CU DESCRIPTION
HV21_3PH	Intermediate extended raiser

ITEM NUMBER	STOCK NUMBER	DESCRIPTION	QTY RQD	UNIT OF MEASURE	REMARKS
1	IC0086	Stand-off insulator, tie top 33kV, Raychem	3	ea	
2	CR1038	Extended raiser channel with nuts and bolts	1	ea	
3	CB0116	Steel xarm 2.0m x 102mm x 102mm hollow galv	1	ea	
4	AB4822	Insulator stud M24, 173mm long	3	ea	
5	AB6733	Pole bolt M16 x 400mm c/w nut, washers & coil spring	2	ea	
6	CB0356	Cross arm end cap 100mm x 100mm Plastic	2	ea	



NOTES:
 1) EXCLUDES THE EARTHING COMPATIBLE UNIT, REFER TO P019_C

 DISTRIBUTION DESIGN CATALOGUE	COMPATIBLE UNIT	REVISION 4	DATE MAR. 24
	TERMINATION POLE TOP SWITCH WITH / WITHOUT DROP OUT FUSES LOAD-BREAKABLE SWITCH	DRAWING No. HV23-2	

PUBLIC

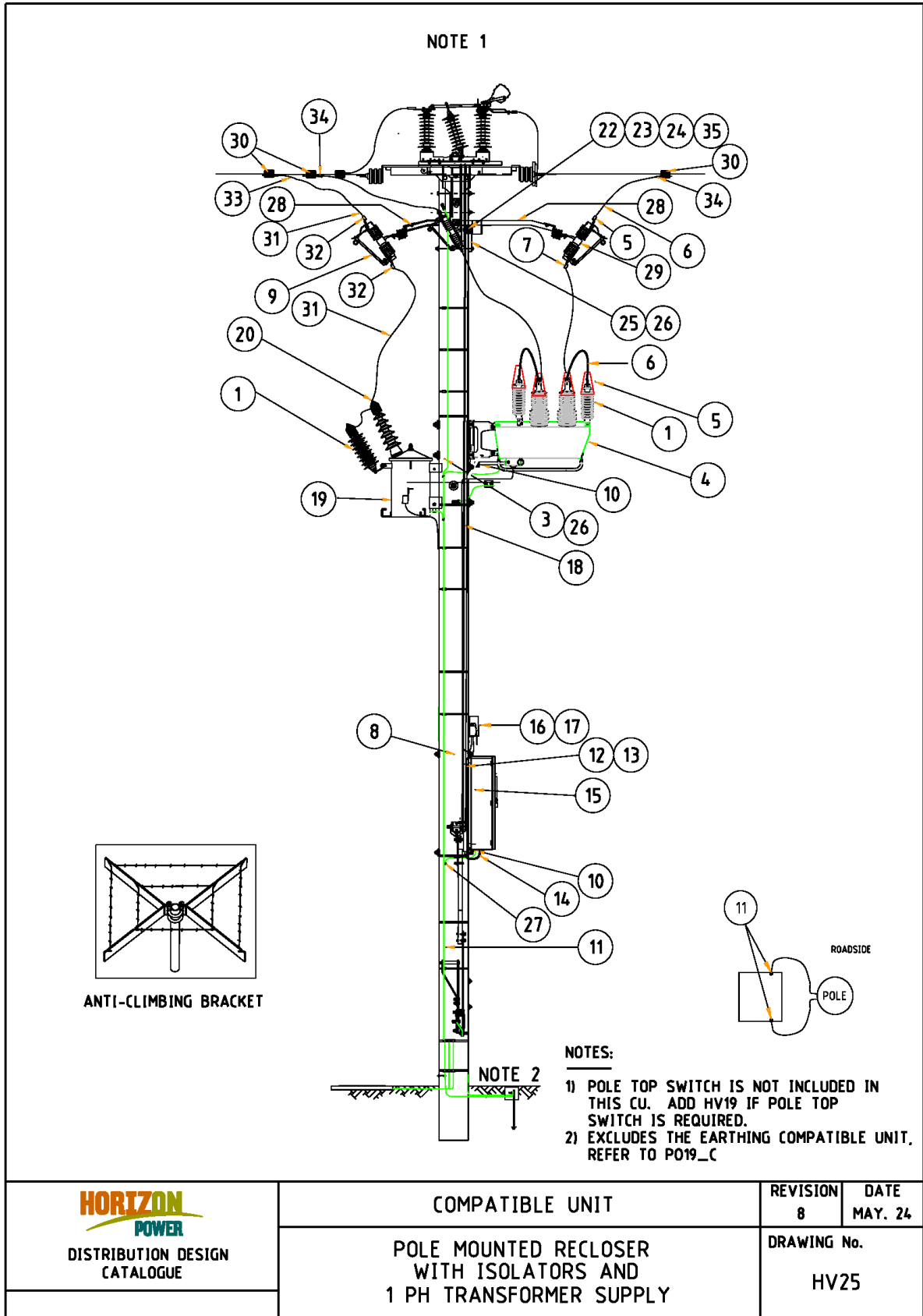
CU	CU DESCRIPTION
HV23_33_LB	Termination PTS load-breakable with drop-out fuses_33 kV

ITEM NUMBER	STOCK NUMBER	DESCRIPTION	QTY RQD	UNIT OF MEASURE	REMARKS
1	GSH0130	Pole top switch 33kV supplied with fittings and handle	1	ea	
2	IC0041	Strain Insulator, 33kV 70kN Synthetic Composite, Long Rod Red H/Pollution Tongue and Clevis	3	ea	
3	AB6736	Pole bolt M12 x 400mm c/w nut, washers & coil spring	2	ea	Handle
4	CB0486	EDO Fuse Stand-Off Bracket	3	ea	
5	DC4801	Earthing mat, concrete steel mesh c/w galv. term strips	1	ea	
6	FL0143	Lug 50-70sqmm, 19/1.78-19/2.14, Cu Alloy M12	5	ea	
7		Select from HV53 for Drop-out Fuse base and HV51 for Fuse link	3	ea	
8	OH0194	Padlock - new restricted profile mast	1	ea	
9	CC0300	Half clamp, brass, M5, tinned	2	ea	
10	EE1264	Wire 70sqmm 19/2.14 stranded copper	15	mtr	
11	FL0402	Lug bi-metal 150 ABC suits M12 bolt	6	ea	
12	FT0150	Lead 150 ABC 4m long	1	ea	
13	AB6737 AW3525	Pole bolt M20 x 400mm c/w nut, washers & coil spring Washer, flat M20	2 2	ea	Frame
14	FL1465	Lug, 70mm ² Cu, tin plated suits M12 bolt	2	ea	
15	AB2958	Screw M12 x 35mm 316 S/S Hex	3	ea	
16	CBH0130	Anti-climbing bracket	1	ea	Ref. 1 of index table

PUBLIC

CU	CU DESCRIPTION
HV23_33_ND	Termination PTS load-breakable Without drop-out fuses_33 kV

ITEM NUMBER	STOCK NUMBER	DESCRIPTION	QTY RQD	UNIT OF MEASURE	REMARKS
1	GSH0130	Pole top switch 33kV supplied with fittings and handle	1	ea	
2	IC0041	Strain Insulator, 33kV 70kN Synthetic Composite, Long Rod Red H/Pollution Tongue and Clevis	3	ea	
3	AB6736	Pole bolt M12 x 400mm c/w nut, washers & coil spring	2	ea	Handle
4	CB0486	EDO Fuse Stand-Off Bracket	3	ea	
5	DC4801	Earthing mat, concrete steel mesh c/w galv. term strips	1	ea	
6	FL0143	Lug 50-70sqmm, 19/1.78-19/2.14, Cu Alloy M12	5	ea	
8	OH0194	Padlock - new restricted profile mast	1	ea	
9	CC0300	Half clamp, brass, M5, tinned	2	ea	
10	EE1264	Wire 70sqmm 19/2.14 stranded copper	15	mtr	
11	FL0402	Lug bi-metal 150 ABC suits M12 bolt	12	ea	
12	FT0150	Lead 150 ABC 4m long	1	ea	
13	AB6737 AW3525	Pole bolt M20 x 400mm c/w nut, washers & coil spring Washer, flat M20	2 2	ea	Frame
14	FL1465	Lug, 70mm ² Cu, tin plated suits M12 bolt	2	ea	
15	AB2958	Screw M12 x 35mm 316 S/S Hex	3	ea	
16	CBH0130	Anti-climbing bracket	1	ea	Ref. 1 of index table
17	IC0083	Stand off Insulator	3	ea	
18	GF2134	Connector Plate	3	ea	
19	AB2957	Bolt M12 x 30mm long	12	ea	



PUBLIC

CU	CU DESCRIPTION
HV25_22	3 phase recloser with isolators_22 kV

ITEM NUMBER	STOCK NUMBER	DESCRIPTION	QTY RQD	UNIT OF MEASURE	REMARKS
1	GA4056	Surge Arrester 22kV Class A	7	ea	
3	AB6737	Pole bolt M20 x 400mm c/w nut, washers & coil spring	2	ea	Recloser
4	GS0320	NOJA Recloser, 38kV, Three phase, includes RC10 Control unit	1	ea	
5	FL0402	Lug bi-metal 150 ABC suits M12 bolt	18	ea	
6	FT0150	Lead 150 ABC 4m long	3	ea	
7	FL7690	Lug bi-metal 180sqmm-19/3.25 AAC suits M12 bolt	6	ea	
8	AB6736	Pole bolt M12 x 400mm c/w nut, washers & coil spring	2	ea	Control box
9		Select from HV53 for Drop-out Fuse base and HV51 for Fuse link	1	ea	
10	FL0143	Lug 50-70sqmm, 19/1.78-19/2.14, Cu Alloy M12	3	ea	
11	EE1264	Wire 70sqmm 19/2.14 stranded copper	15	mtr	
12	EE1319	Cable 3C 2.5mm ² PVC (7.5m reel)	1	reel	
13	GC7872	Conduit corrugated, flexible PVC 20mm, 10m long, grey	1	roll	
14	GC7846	Gland heavy-duty PVC, 20mm for corrugated conduit	3	ea	
15	OH0194	Padlock - new restricted profile mast	2	ea	
16	GF1804	Fuse holder	1	ea	
17	GF0550	Fuse 10A,240/415V	1	ea	
18	EE1126	2C, 16sqmm stranded copper 0.6/1kV	10	mtr	
	FL0141	Lug 16sqmm, 7/1.70, Cu-Alloy, M8	2	ea	
	AB2860	Bolt M8 x 20mm, 316 stainless	2	ea	
19	XT0206	Transformer 10kVA, 12.7kV/250-500V, Tyree	1	ea	
20	GT0353	Transformer HV bushing wild life cover	1	ea	
22	CB1121	Xarm metal, 2.4m x 102mm square hollow galv.	1	ea	
23	AB4567	Bolt M12 x 150mm long for extension bracket mounting	8	ea	
24	AB4608	Bolt M16 x 90mm with nut for brkts & isolators & DOF	11	ea	
25	CB3025	Xarm mounting bracket c/w nuts & bolts	1	ea	
26	AB6733	Pole bolt M16 x 400mm c/w nut, washers & coil spring	4	ea	Xarm & TX
27	CC0130	Parallel-groove clamp Cu-Cu (6sqmm - 70sqmm)	3	ea	
28	CB0550	Isolator extension bracket	4	ea	
29		Select from HV54 for MV Isolator	6	ea	
30		Select Parallel Groove (PG) clamp to suit conductor. Select from CN9	7	ea	
31	FT0095	Lead 95 ABC 4m long	1	ea	
32	FL0401	Lug, bi-metal 95 ABC suits M12 bolt	5	ea	

PUBLIC

ITEM NUMBER	STOCK NUMBER	DESCRIPTION	QTY RQD	UNIT OF MEASURE	REMARKS
33		Splice 95 ABC to suit conductor and PG clamp. Select from CN69 or CN70	1	ea	
34		Splice 150 ABC to suit conductor and PG clamp. Select from CN69 or CN70	6	ea	
35	AB4569	Bolt M12 x 170mm Class 4.6 Galv	2	ea	
36	CB0356	Cross arm end cap 100mm x 100mm Plastic	2	ea	

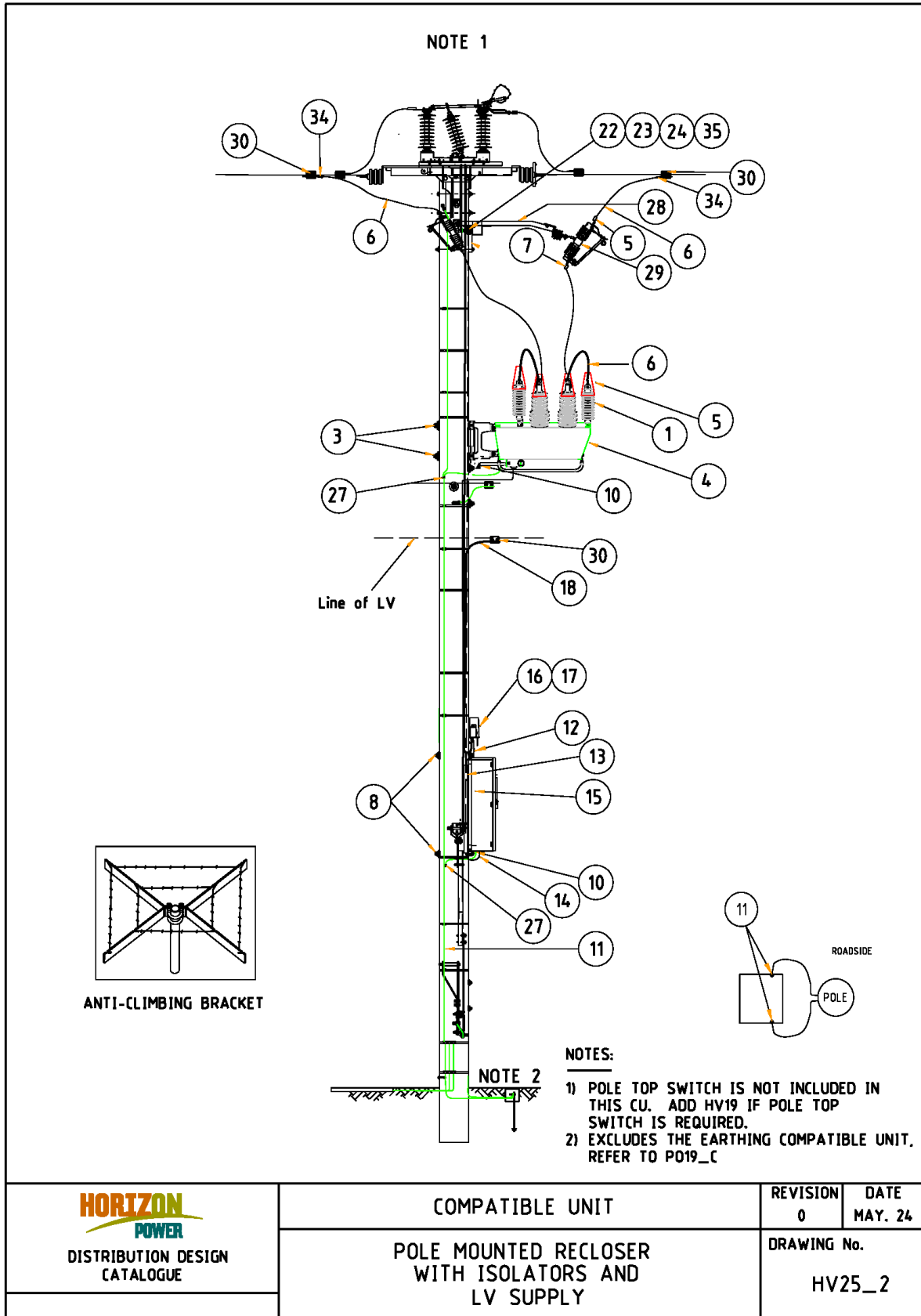
PUBLIC

CU	CU DESCRIPTION
HV25_33	3 phase recloser with isolators_33 kV

ITEM NUMBER	STOCK NUMBER	DESCRIPTION	QTY RQD	UNIT OF MEASURE	REMARKS
1	GA4057	Surge Arrester 33kV Class A	7	ea	
3	AB6737	Pole bolt M20 x 400mm c/w nut, washers & coil spring	2	ea	Recloser
4	GS0320	NOJA Recloser, 38kV, Three phase, includes RC10 Control unit	1	ea	
5	FL0402	Lug bi-metal 150 ABC suits M12 bolt	18	ea	
6	FT0150	Lead 150 ABC 4m long	3	ea	
7	FL7690	Lug bi-metal 180sqmm-19/3.25 AAC suits M12 bolt	6	ea	
8	AB6736	Pole bolt M12 x 400mm c/w nut, washers & coil spring	2	ea	Control
9		Select from HV53 for Drop-out Fuse base and HV51 for Fuse link	1	ea	
10	FL0143	Lug 50-70sqmm, 19/1.78–19/2.14, Cu Alloy M12	3	ea	
11	EE1264	Wire 70sqmm 19/2.14 stranded copper	15	mtr	
12	EE1319	Cable 3C 2.5mm ² PVC (7.5m reel)	1	reel	
13	GC7872	Conduit corrugated, flexible PVC 20mm, 10m long, grey	1	roll	
14	GC7846	Gland heavy-duty PVC, 20mm for corrugated conduit	3	ea	
15	OH0194	Padlock - new restricted profile mast	2	ea	
16	GF1804	Fuse holder	1	ea	
17	GF0550	Fuse 10A,240/415V	1	ea	
18	EE1126	2C, 16sqmm stranded copper 0.6/1kV	10	mtr	
	FL0141	Lug 16sqmm, 7/1.70, Cu-Alloy, M8	2	ea	
	AB2860	Bolt M8 x 20mm, 316 stainless	2	ea	
19	XT0208	Transformer 10kVA 19.1kV/250-500V, Tyree	1	ea	
20	GT0353	Transformer HV bushing wildlife cover	1	ea	
22	CB1121	Xarm metal, 2.4m x 102mm square hollow galv.	1	ea	
23	AB4567	Bolt M12 x 150mm long for extension bracket mounting	8	ea	
24	AB4608	Bolt M16 x 90mm with nut for brkts & isolator & DOF	11	ea	
25	CB3025	Xarm mounting bracket c/w nuts & bolts	1	ea	
26	AB6733	Pole bolt M16 x 400mm c/w nut washers & coil spring	4	ea	Xarm & TX
27	CC0130	Parallel-groove clamp Cu-Cu (6sqmm - 70sqmm)	3	ea	
28	CB0550	Isolator extension bracket	4	ea	
29		Select from HV54 for MV Isolator	6	ea	
30		Select Parallel Groove (PG) clamp to suit conductor. Select from CN9	7	ea	
31	FT0095	Lead 95 ABC 4m long	1	ea	
32	FL0401	Lug, bi-metal 95 ABC suits M12 bolt	5	ea	
33		Splice 95 ABC to suit conductor and PG clamp. Select from CN69 or CN70	1	ea	

PUBLIC

ITEM NUMBER	STOCK NUMBER	DESCRIPTION	QTY RQD	UNIT OF MEASURE	REMARKS
34		Splice 150 ABC to suit conductor and PG clamp. Select from CN69 or CN70	6	ea	
35	AB4569	Bolt M12 x 170mm Class 4.6 Galv	2	ea	
36	CB0356	Cross arm end cap 100mm x 100mm Plastic	2	ea	



PUBLIC

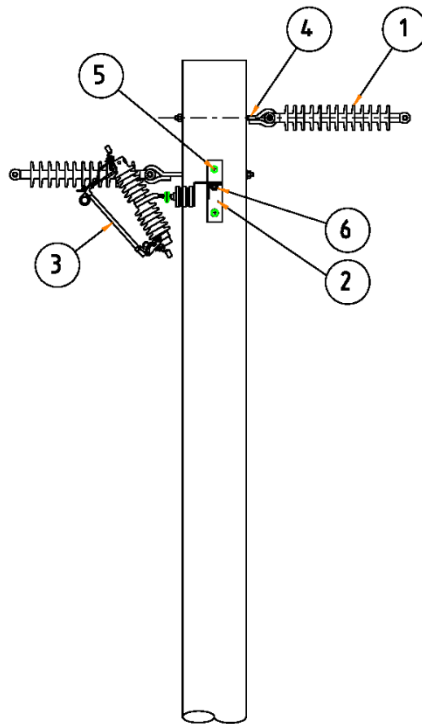
CU	CU DESCRIPTION
HV25_22_LV	3 phase recloser with isolators 22 kV & LV Supply


ITEM NUMBER	STOCK NUMBER	DESCRIPTION	QTY RQD	UNIT OF MEASURE	REMARKS
1	GA4056	Surge Arrester 22kV Class A	6	ea	
3	AB6737	Pole bolt M20 x 400mm c/w nut, washers & coil spring	2	ea	Recloser
4	GS0320	NOJA Recloser, 38kV, Three phase, includes RC10 Control unit	1	ea	
5	FL0402	Lug bi-metal 150 ABC suits M12 bolt	18	ea	SA, DISO Lug
7	FL7690	Lug bi-metal 180sqmm-19/3.25 AAC suits M12 bolt	6	ea	Recl Lug
6	FT0150	Lead 150 ABC 4m long	3	ea	DISOTap
8	AB6736	Pole bolt M12 x 400mm c/w nut, washers & coil spring	2	ea	Control box
10	FL0143	Lug 50-70sqmm, 19/1.78-19/2.14, Cu Alloy M12	2	ea	Earth Lug
11	EE1264	Wire 70sqmm 19/2.14 stranded copper	15	mtr	Earth Wire
12	EE1319	Cable 3C 2.5mm ² PVC (7.5m reel)	1	reel	
13	GC7872	Conduit corrugated, flexible PVC 20mm, 10m long, grey	1	roll	
14	GC7846	Gland heavy-duty PVC, 20mm for corrugated conduit	3	ea	
15	OH0194	Padlock - new restricted profile mast	2	ea	
16	GF1804	Fuse holder	1	ea	
17	GF0550	Fuse 10A,240/415V	1	ea	
18	EE1126	2C, 16sqmm stranded copper 0.6/1kV	10	mtr	
22	CB1121	Xarm metal, 2.4m x 102mm square hollow galv.	1	ea	
23	AB4567	Bolt M12 x 150mm long for extension bracket mounting	6	ea	
24	AB4608	Bolt M16 x 90mm with nut for brkts & isolators	9	ea	
27	CC0130	Parallel-groove clamp Cu-Cu (6sqmm - 70sqmm)	3	ea	Earth PG
28	CB0550	Isolator extension bracket	3	ea	
29		Select from HV54 for MV Isolator	6	ea	
30		Select Parallel Groove (PG) clamp to suit conductor. Select from CN9	7	ea	
34		Splice 150 ABC to suit conductor and PG clamp. Select from CN69 or CN70	6	ea	
35	CB3025	Xarm bracket supplied with nuts & bolts	1	ea	
36	AB4569	Bolt M12 x 170mm Class 4.6 Galv	2	ea	
37	CB0356	Cross arm end cap 100mm x 100mm Plastic	2	ea	

PUBLIC

CU	CU DESCRIPTION
HV25_33_LV	3 phase recloser with isolators 33 kV & LV Supply

ITEM NUMBER	STOCK NUMBER	DESCRIPTION	QTY RQD	UNIT OF MEASURE	REMARKS
1	GA4057	Surge Arrester 33kV Class A	6	ea	
3	AB6737	Pole bolt M20 x 400mm c/w nut, washers & coil spring	2	ea	Recloser
4	GS0320	NOJA Recloser, 38kV, Three phase, includes RC10 Control unit	1	ea	
5	FL0402	Lug bi-metal 150 ABC suits M12 bolt	18	ea	SA, DISO
6	FT0150	Lead 150 ABC 4m long	6	ea	Recl Lug
7	FL7690	Lug bi-metal 180sqmm-19/3.25 AAC suits M12 bolt	3	ea	DISOTap
8	AB6736	Pole bolt M12 x 400mm c/w nut, washers & coil spring	2	ea	Control
10	FL0143	Lug 50-70sqmm, 19/1.78-19/2.14, Cu Alloy M12	2	ea	Earth Lug
11	EE1264	Wire 70sqmm 19/2.14 stranded copper	15	mtr	Earth Wire
12	EE1319	Cable 3C 2.5mm ² PVC (7.5m reel)	1	reel	
13	GC7872	Conduit corrugated, flexible PVC 20mm, 10m long, grey	1	roll	
14	GC7846	Gland heavy-duty PVC, 20mm for corrugated conduit	3	ea	
15	OH0194	Padlock - new restricted profile mast	2	ea	
16	GF1804	Fuse holder	1	ea	
17	GF0550	Fuse 10A,240/415V	1	ea	
18	EE1126	2C, 16sqmm stranded copper 0.6/1kV	10	mtr	
22	CB1121	Xarm metal, 2.4m x 102mm square hollow galv.	1	ea	
23	AB4567	Bolt M12 x 150mm long for extension bracket mounting	6	ea	
24	AB4608	Bolt M16 x 90mm with nut for brkts & isolator	9	ea	
27	CC0130	Parallel-groove clamp Cu-Cu (6sqmm - 70sqmm)	3	ea	Earth PG
28	CB0550	Isolator extension bracket	3	ea	
29		Select from HV54 for MV Isolator	6	ea	
30		Select Parallel Groove (PG) clamp to suit conductor. Select from CN9	12	ea	
34		Splice 150 ABC to suit conductor and PG clamp. Select from CN69 or CN70	6	ea	
35	CB3025	Xarm bracket supplied with nuts & bolts	1	ea	
36	AB4569	Bolt M12 x 170mm Class 4.6 Galv	2	ea	
37	CB0356	Cross arm end cap 100mm x 100mm Plastic	2	ea	

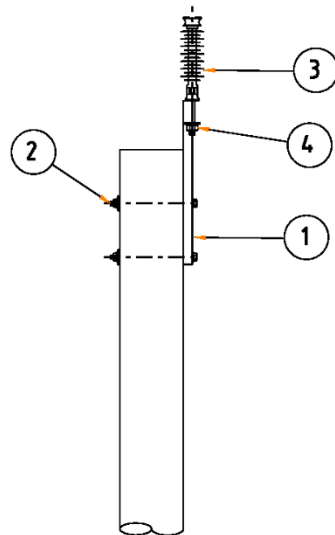



 HORIZON POWER DISTRIBUTION DESIGN CATALOGUE OPERATIONS DIVISION	COMPATIBLE UNIT	REVISION 2	DATE 30/07/13
	1 PHASE 2 WAY TERMINATION WITH DROP OUT FUSES	DRAWING No. HV27	

PUBLIC

CU	CU DESCRIPTION
HV27	1 Phase 2 way termination with drop-out fuses

ITEM NUMBER	STOCK NUMBER	DESCRIPTION	QTY RQD	UNIT OF MEASURE	REMARKS
1	IC0041	Strain Insulator, 33kV 70kN Synthetic Composite, Long Rod Red H/Pollution Tongue and Clevis	2	ea	
2	CB0240	Rural support bracket	1	ea	
3		Select from HV51 for Fuse Link and HV53 for Drop-out Fuse	1	ea	
4	AB6025	Eyebolt 16mm dia 400mm long	2	ea	
5	AB6733	Pole bolt M16 x 400mm c/w nut washers & coil spring	2	ea	
6	AB4663	Bolt M20 x 50mm c/w with nut	1	ea	

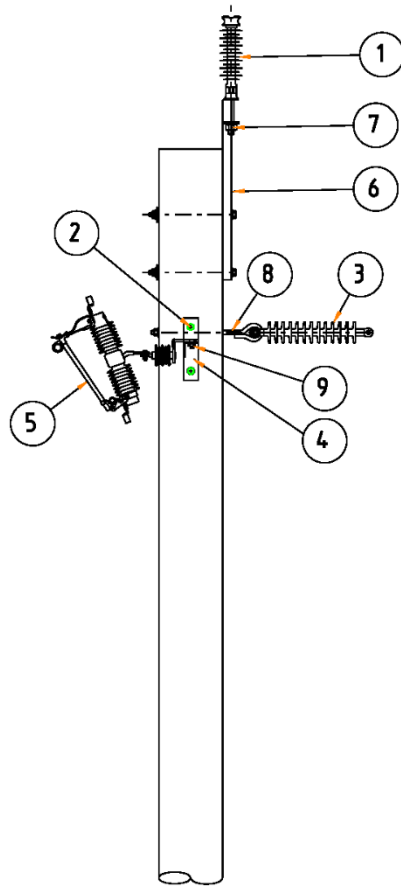



 HORIZON POWER DISTRIBUTION DESIGN CATALOGUE OPERATIONS DIVISION	COMPATIBLE UNIT	REVISION 2	DATE 29/01/13
	1 PHASE INTERMEDIATE	DRAWING No. HV29	

PUBLIC

CU	CU DESCRIPTION
HV29	1 Phase intermediate

ITEM NUMBER	STOCK NUMBER	DESCRIPTION	QTY RQD	UNIT OF MEASURE	REMARKS
1	CR1036	Raiser bracket	1	ea	
2	AB6733	Pole bolt M16 x 400mm c/w nut washers & coil spring	2	ea	
3	IC0086	Stand-off insulator, tie top 33kV, Raychem	1	ea	
4	AB4822	Insulator stud M24, 173mm long	1	ea	

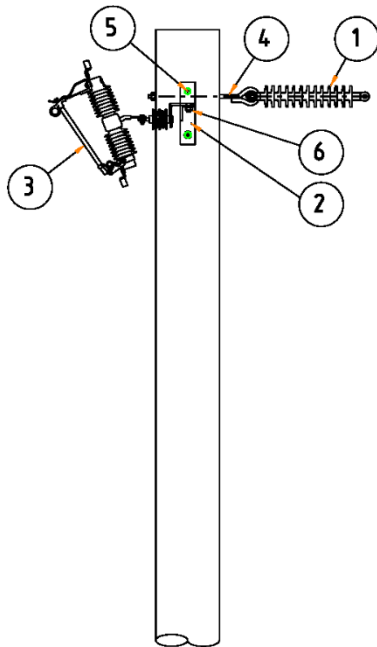



 DISTRIBUTION DESIGN CATALOGUE OPERATIONS DIVISION	COMPATIBLE UNIT	REVISION 2	DATE 7/06/2023
	1 PHASE INTERMEDIATE WITH TEE-OFF AND DOF	DRAWING No. HV31	

PUBLIC

CU	CU DESCRIPTION
HV31	1 Phase intermediate with tee-off and DOF

ITEM NUMBER	STOCK NUMBER	DESCRIPTION	QTY RQD	UNIT OF MEASURE	REMARKS
1	IC0086	Stand-off insulator, tie top 33kV, Raychem	1	ea	
2	AB6733	Pole bolt M16 x 400mm c/w nut washers & coil spring	4	ea	
3	IC0041	Strain Insulator, 33kV 70kN Synthetic Composite, Long Rod Red H/Pollution Tongue and Clevis	1	ea	
4	CB0240	Rural support bracket	1	ea	
5		Select from HV53 for Drop-out Fuse base and HV51 for Fuse link	1	ea	
6	CR1036	Raiser bracket	1	ea	
7	AB4822	Insulator stud M24, 173mm long	1	ea	
8	AB6025	Eyebolt 16mm dia 400mm long	1	ea	
9	AB4663	Bolt M20 x 50mm c/w with nut	1	ea	

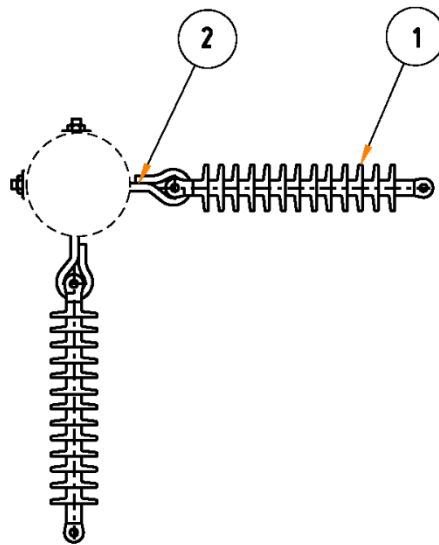


 DISTRIBUTION DESIGN CATALOGUE OPERATIONS DIVISION	COMPATIBLE UNIT	REVISION 1	DATE 23/11/12
	1 PHASE TERMINATION WITH DROP OUT FUSES	DRAWING No. HV32	

PUBLIC

CU	CU DESCRIPTION
HV32	1 Phase termination with DOF

ITEM NUMBER	STOCK NUMBER	DESCRIPTION	QTY RQD	UNIT OF MEASURE	REMARKS
1	IC0041	Strain Insulator, 33kV 70kN Synthetic Composite, Long Rod Red H/Pollution Tongue and Clevis	1	ea	
2	CB0240	Rural support bracket	1	ea	
3		Select from HV53 for Drop-out Fuse base and HV51 for Fuse link	1	ea	
4	AB6025	Eyebolt 16mm dia 400mm long	1	ea	
5	AB6733	Pole bolt M16 x 400mm c/w nut washers & coil spring	2	ea	
6	AB4663	Bolt M20 x 50mm long with nut	1	ea	

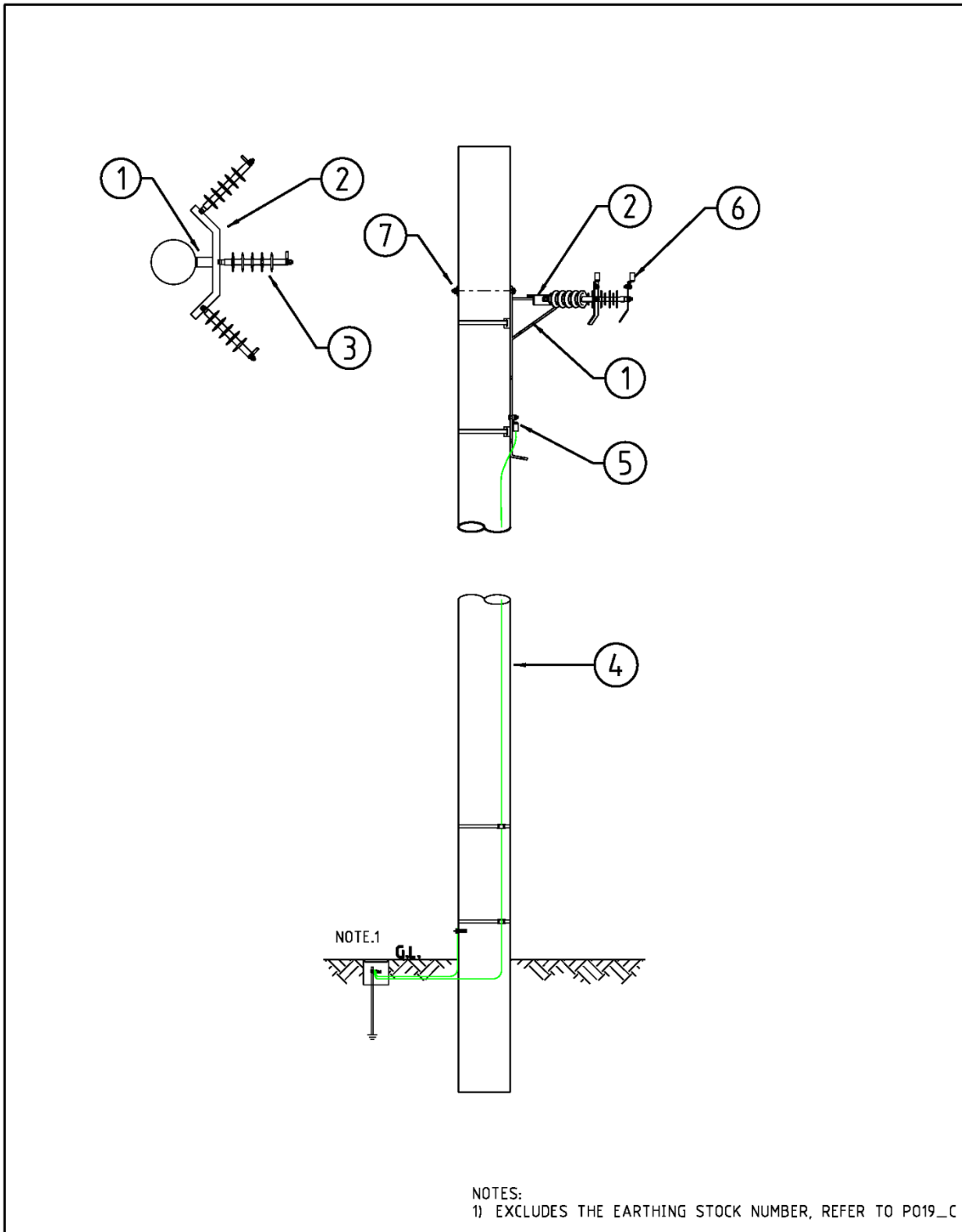



HORIZON POWER DISTRIBUTION DESIGN CATALOGUE OPERATIONS DIVISION	COMPATIBLE UNIT	REVISION 2	DATE 19.05.14
	1 PHASE 2 WAY TERMINATION	DRAWING No. HV33	

PUBLIC

CU	CU DESCRIPTION
HV33	1 Phase 2 way termination

ITEM NUMBER	STOCK NUMBER	DESCRIPTION	QTY RQD	UNIT OF MEASURE	REMARKS
1	IC0041	Strain Insulator, 33kV 70kN Synthetic Composite, Long Rod Red H/Pollution Tongue and Clevis	2	ea	
2	AB6025	Eyebolt 16mm dia 400mm long	2	ea	



 DISTRIBUTION DESIGN CATALOGUE	COMPATIBLE UNIT	REVISION 4	DATE MAY 2024
	POLE MOUNTED SURGE DIVERTER	DRAWING No. HV39	

PUBLIC

CU	CU DESCRIPTION
HV39_11	Pole mounted surge diverter_11 kV

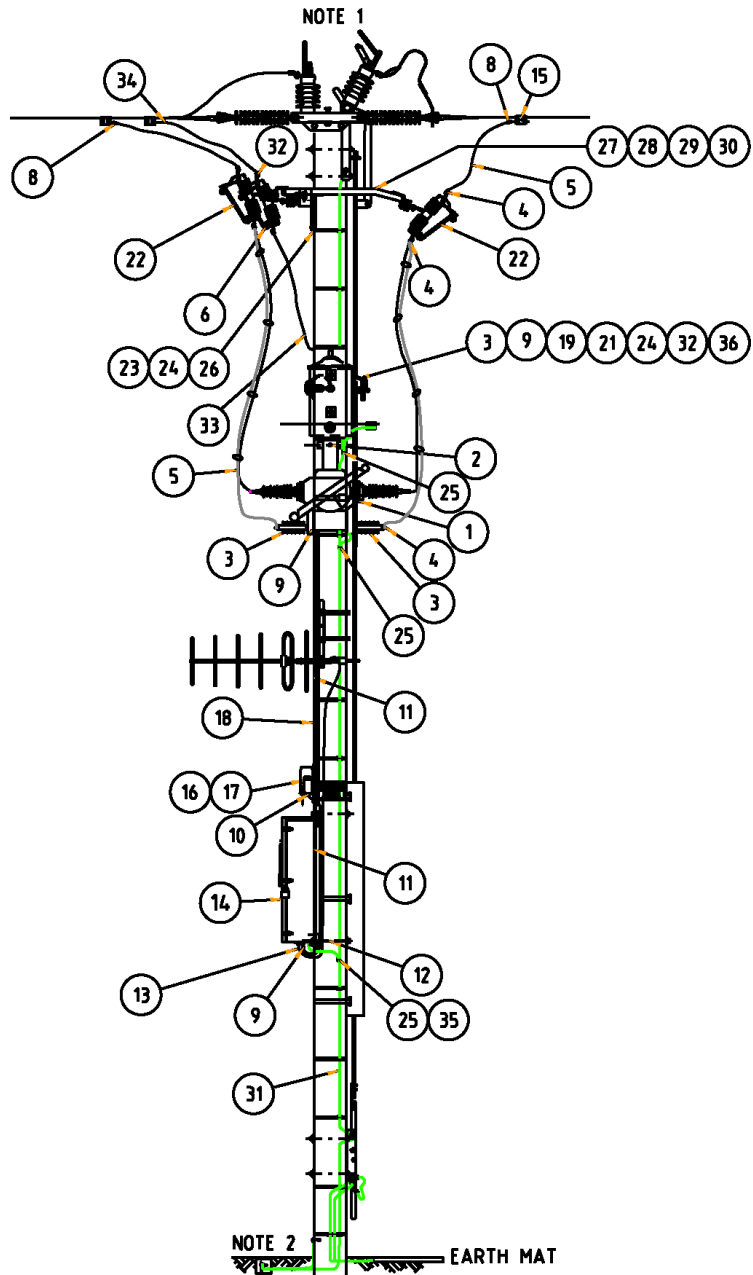
ITEM NUMBER	STOCK NUMBER	DESCRIPTION	QTY RQD	UNIT OF MEASURE	REMARKS
1	CB3017	Mounting bracket 1ph services	1	ea	
2	CB3035	Mounting bracket 3ph services	1	ea	
3	GA4055	Surge arrester 11kV Class A	3	ea	
4	EE1264	Copper wire 70sqmm	8	mtr	
5	FL0143	Lug 50-70sqmm, 19/1.78-19/2.14, Cu Alloy M12	1	ea	

CU	CU DESCRIPTION
HV39_22	Pole mounted surge diverter_22 kV

ITEM NUMBER	STOCK NUMBER	DESCRIPTION	QTY RQD	UNIT OF MEASURE	REMARKS
1	CB3017	Mounting bracket 1ph services	1	ea	
2	CB3035	Mounting bracket 3ph services	1	ea	
3	GA4056	Surge Arrester 22kV Class A	3	ea	
4	EE1264	Copper wire 70sqmm	8	mtr	
5	FL0143	Lug 50-70sqmm, 19/1.78-19/2.14, Cu Alloy M12	1	ea	

CU	CU DESCRIPTION
HV39_33	Pole mounted surge diverter_33 kV


ITEM NUMBER	STOCK NUMBER	DESCRIPTION	QTY RQD	UNIT OF MEASURE	REMARKS
1	CB3017	Mounting bracket 1ph services	1	ea	
2	CB3035	Mounting bracket 3ph services	1	ea	
3	GA4057	Surge Arrester 33kV Class A	3	ea	
4	EE1264	Copper wire 70sqmm	8	mtr	
5	FL0143	Lug 50-70sqmm, 19/1.78-19/2.14, Cu Alloy M12	1	ea	



NOTE 1

NOTE 2

NOTES:
 1) POLE TOP SWITCH IS NOT INCLUDED IN THIS CU.
 ADD HV19 IF POLE TOP SWITCH IS REQUIRED.
 2) EXCLUDES THE EARTHING STOCK NUMBER, REFER TO PO19_C

 DISTRIBUTION DESIGN CATALOGUE	COMPATIBLE UNIT	REVISION 6	DATE MAY 2024
	POLE MOUNTED LOAD BREAK SWITCH WITH SINGLE BUSHING TX SUPPLY	DRAWING No. HV40-1	

PUBLIC

CU	CU DESCRIPTION
HV40_22R_TX	LBS_22 kV_with isolators_one bushing Tx supply

ITEM NUMBER	STOCK NUMBER	DESCRIPTION	QTY RQD	UNIT OF MEASURE	REMARKS
1	GS6016	Nu-Lec RL27 Pole Mounted LBS	1	ea	
2	AB6737	Pole bolt M20 x 400mm c/w nut, washers & coil spring	2	ea	LBS
3	GA4056	Surge Arrester 22kV Class A	7	ea	
4	FL0402	Lug bi-metal 150 ABC suits M12 bolt	30	ea	
5	FT0150	Lead 150 ABC 4m long	3	ea	
6		Select from HV53 for Drop-out Fuse base and HV51 for Fuse link	1	ea	
8		Splice 150 ABC to suit conductor and PG clamp. Select from CN69 or CN70	6	ea	
9	FL0143	Lug 50-70sqmm, 19/1.78-19/2.14, Cu Alloy M12	3	ea	
10	EE1319	Cable 3C 2.5mm ² PVC (7.5m reel)	1	reel	
11	GC7872	Conduit corrugated, flexible PVC 20mm, 10m long, grey	1	roll	
12	AB6736	Pole bolt M12 x 400mm c/w nut, washers & coil spring	2	ea	Control box
13	GC7846	Gland heavy-duty PVC, 20mm for corrugated conduit	3	ea	
14	OH0194	Padlock - new restricted profile mast	1	ea	
15		Select Parallel Groove (PG) clamp to suit conductor. Select from CN9	7	ea	
16	GF1804	Fuse holder	1	ea	
17	GF0550	Fuse 10A,240/415V	1	ea	
18	EE1126	2C, 16sqmm stranded copper 0.6/1kV	10	mtr	
	FL0141	Lug 16sqmm, 7/1.70, Cu-Alloy, M8	2	ea	
	AB2860	Bolt M8 x 20mm, 316 stainless	2	ea	
19	XT0206	Transformer 10kVA, 12.7kV/250-500V, Tyree	1	ea	
20	GT0353	Transformer HV bushing wild life cover	1	ea	
22		Select from HV54 for MV Isolator	6	ea	
23	CB1121	Xarm metal, 2.4m x 102mm square hollow galv.	1	ea	
24	AB6733	Pole bolt M16 x 400mm with nut, washer and spring	4	ea	Xarm &TX
25	CC0130	Parallel-groove clamp Cu-Cu (6sqmm - 70sqmm)	3	ea	
26	CB3025	Bracket, xarm mounting	1	ea	
27	AB4567	Bolt M12 x 150mm with nut for ext. bracket mounting	6	ea	
28	AB4608	Bolt M16 x 90mm c/w nut for brkts & isol	9	ea	
29	AB4677	Bolt M20 x 150mm c/w nut for fuse base (xarm mounted)	1	ea	
30	CB0550	Isolator extension bracket	3	ea	
31	EE1264	Wire 70sqmm 19/2.14 stranded copper	15	mtr	

PUBLIC

ITEM NUMBER	STOCK NUMBER	DESCRIPTION	QTY RQD	UNIT OF MEASURE	REMARKS
32	FL0401	Lug, bi-metal 95 ABC suits M12 bolt	5	ea	
33	FT0095	Lead 95 ABC 4m long	1	ea	
34		Splice 95 ABC to suit conductor and PG clamp. Select from CN69 or CN70	1	ea	
35	AB4569	Bolt M12 x 170mm class 4.6 Galv.	2	ea	
36	AB4612	Bolt M16 x 130mm class 4.6 Galv.	2	ea	
37	CB0356	Cross arm end cap 100mm x 100mm Plastic	2	ea	

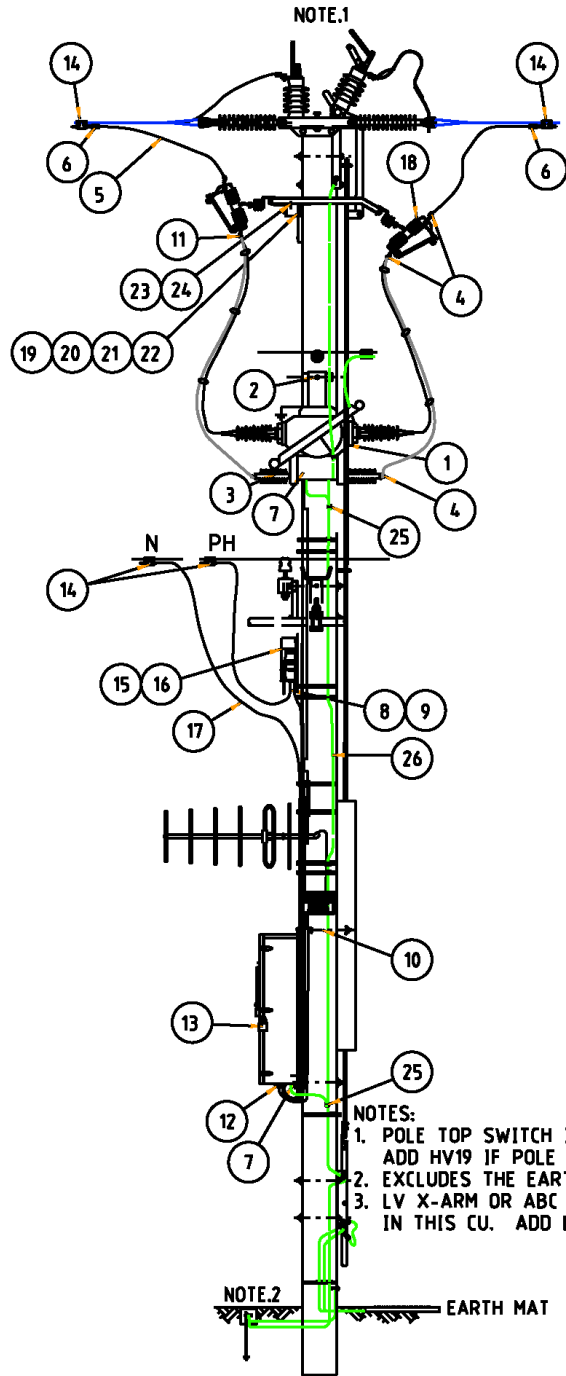
PUBLIC


CU	CU DESCRIPTION
HV40_33R_TX	LBS_33 kV_with isolators_one bushing Tx supply

ITEM NUMBER	STOCK NUMBER	DESCRIPTION	QTY RQD	UNIT OF MEASURE	REMARKS
1	GS0131	Nu-Lec RL38 Pole Mounted LBS	1	ea	
2	AB6737	Pole bolt M20 x 400mm c/w nut, washers & coil spring	2	ea	LBS
3	GA4057	Surge Arrester 33kV Class A	7	ea	
4	FL0402	Lug bi-metal 150 ABC suits M12 bolt	30	ea	
5	FT0150	Lead 150 ABC 4m long	3	ea	
6		Select from HV53 for Drop-out Fuse base and HV51 for Fuse link	1	ea	
8		Splice 150 ABC to suit conductor and PG clamp. Select from CN69 or CN70	6	ea	
9	FL0143	Lug 50-70sqmm, 19/1.78-19/2.14, Cu Alloy M12	3	ea	
10	EE1319	Cable 3C 2.5mm ² PVC (7.5m reel)	1	reel	
11	GC7872	Conduit corrugated, flexible PVC 20mm, 10m long, grey	1	roll	
12	AB6736	Pole bolt M12 x 400mm c/w nut, washers & coil spring	2	ea	Control box
13	GC7846	Gland heavy-duty PVC, 20mm for corrugated conduit	3	ea	
14	OH0194	Padlock - new restricted profile mast	1	ea	
15		Select Parallel Groove (PG) clamp to suit conductor. Select from CN9	7	ea	
16	GF1804	Fuse holder	1	ea	
17	GF0550	Fuse 10A,240/415V	1	ea	
18	EE1126	2C, 16sqmm stranded copper 0.6/1kV	10	mtr	
	FL0141	Lug 16sqmm, 7/1.70, Cu-Alloy, M8	2	ea	
	AB2860	Bolt M8 x 20mm, 316 stainless	2	ea	
19	XT0208	Transformer 10kVA, 19.1kV/250-500V, Tyree	1	ea	
20	GT0353	Transformer HV bushing wild life cover	1	ea	
22		Select from HV54 for MV Isolator	6	ea	
23	CB1121	Xarm metal, 2.4m x 102mm square hollow galv.	1	ea	
24	AB6733	Pole bolt M16 x 400mm c/w nut, washer and spring	4	ea	Xarm & TX
25	CC0130	Parallel-groove clamp Cu-Cu (6sqmm - 70sqmm)	3	ea	
26	CB3025	Bracket, Xarm mounting	1	ea	
27	AB4567	Bolt M12 x 150mm with nut for ext. bracket mounting	6	ea	
28	AB4608	Bolt M16 x 90mm c/w nut for brkts & isol. mounting	9	ea	
29	AB4677	Bolt M20 x 150mm c/w nut for fuse base (xarm mounted)	1	ea	
30	CB0550	Isolator extension bracket	3	ea	
31	EE1264	Wire 70sqmm 19/2.14 stranded copper	15	mtr	
32	FL0401	Lug, bi-metal 95 ABC suits M12 bolt	5	ea	

PUBLIC

ITEM NUMBER	STOCK NUMBER	DESCRIPTION	QTY RQD	UNIT OF MEASURE	REMARKS
33	FT0095	Lead 95 ABC 4m long	1	ea	
34		Splice 95 ABC to suit conductor and PG clamp. Select from CN69 or CN70	1	ea	
35	AB4569	Bolt M12 x 170mm class 4.6 Galv.	2	ea	
36	AB4612	Bolt M16 x 130mm class 4.6 Galv.	2	ea	
37	CB0356	Cross arm end cap 100mm x 100mm Plastic	2	ea	



 DISTRIBUTION DESIGN CATALOGUE	COMPATIBLE UNIT	REVISION 7	DATE MAY 2024
	POLE MOUNTED LOAD BREAK SWITCH WITH LV SUPPLY	DRAWING No. HV40-3	

PUBLIC

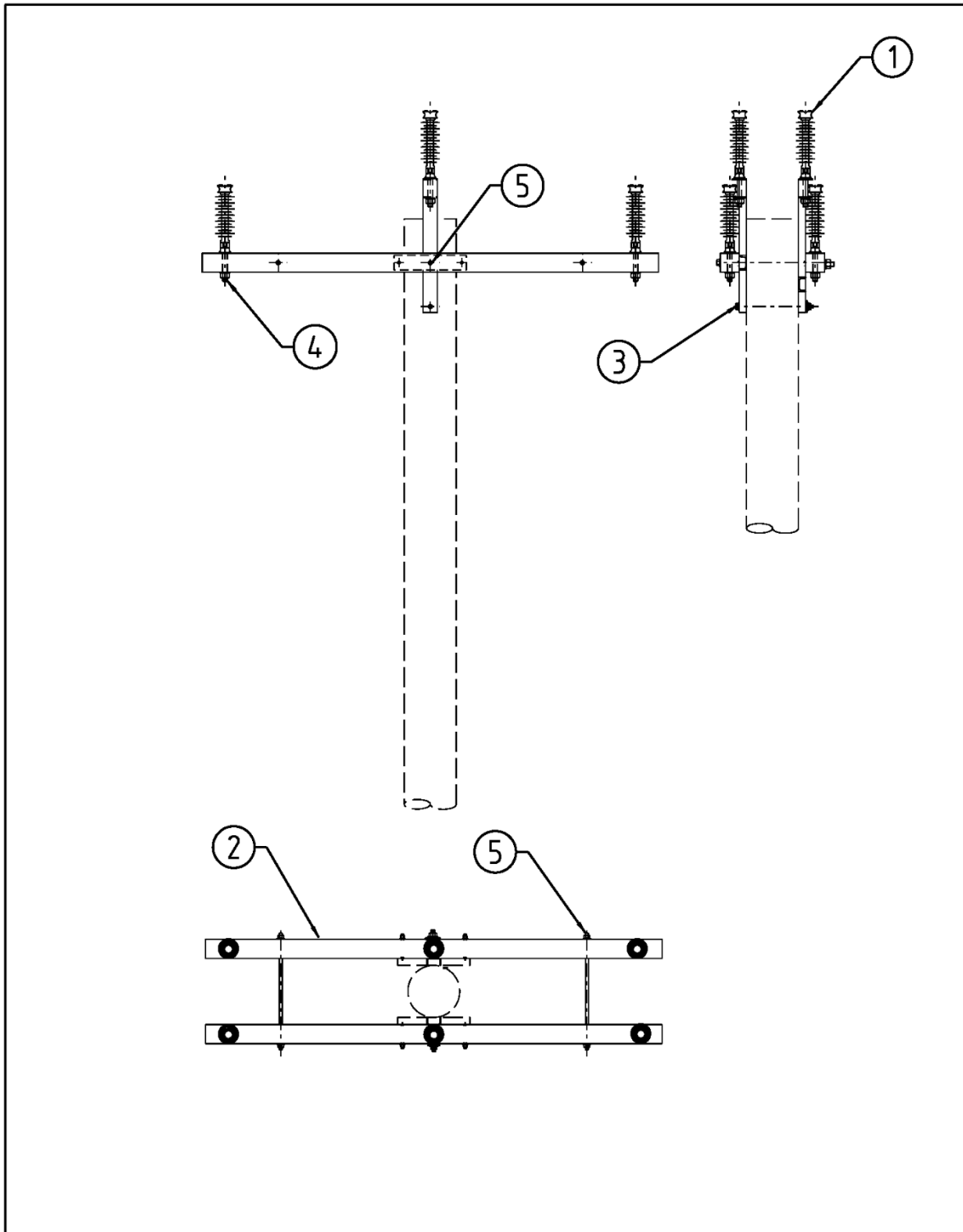
CU	CU DESCRIPTION
HV40_22_LV	LBS_22 kV_with isolators_low voltage supply


ITEM NUMBER	STOCK NUMBER	DESCRIPTION	QTY RQD	UNIT OF MEASURE	REMARKS
1	GS6016	Nu-Lec RL27 Pole Mounted LBS	1	ea	
2	AB6737	Pole bolt M20 x 400mm c/w nut, washers & coil spring	2	ea	LBS
3	GA4056	Surge Arrester 22kV Class A	6	ea	
4	FL0402	Lug bi-metal 150 ABC suits M12 bolt	30	ea	
5	FT0150	Lead 150 ABC 4m long	2	ea	
6		Splice 150 ABC to suit conductor and PG clamp. Select from CN69 or CN70	6	ea	
7	FL0143	Lug 50-70sqmm, 19/1.78-19/2.14, Cu Alloy M12	2	ea	
8	EE1319	Cable 3C 2.5mm ² PVC (7.5m reel)	1	reel	
9	GC7872	Conduit corrugated, flexible PVC 20mm, 10m long, grey	1	roll	
10	AB6736	Pole bolt M12 x 400mm c/w nut, washers & coil spring	2	ea	Control box
11	FL7690	Lug bi-metal 180sqmm-19/3.25 AAC suits M12 bolt	6	ea	
12	GC7846	Gland heavy-duty PVC, 20mm for corrugated conduit	3	ea	
13	OH0194	Padlock - new restricted profile mast	1	ea	
14		Select Parallel Groove (PG) clamp to suit conductor. Select from CN9	8	ea	
15	GF1804	Fuse holder	1	ea	
16	GF0550	Fuse 10A,240/415V	1	ea	
17	EE1126	2C, 16sqmm stranded copper 0.6/1kV	10	mtr	
18		Select from HV54 for MV Isolator	6	ea	
19	CB1121	Xarm metal, 2.4m x 102mm square hollow galv.	1	ea	
20	AB6733	Pole bolt M16 x 400mm c/w nut, washer and coil spring	2	ea	Xarm
21	CB3025	Bracket, Xarm mounting	1	ea	
22	AB4567	Bolt M12 x 150mm long for extension bracket mounting	6	ea	
23	AB4608	Bolt M16x 90mm long with nut for brkts & isol. mounting	9	ea	
24	CB0550	Isolator extension bracket	3	ea	
25	CC0130	Parallel-groove clamp Cu-Cu (6sqmm - 70sqmm)	2	ea	
26	EE1264	Wire 70sqmm 19/2.14 stranded copper	15	mtr	
27	CB0356	Cross arm end cap 100mm x 100mm Plastic	2	ea	

PUBLIC

CU	CU DESCRIPTION
HV40_33_LV	LBS_33 kV_with isolators_low voltage supply

ITEM NUMBER	STOCK NUMBER	DESCRIPTION	QTY RQD	UNIT OF MEASURE	REMARKS
1	GS0131	Nu-Lec RL38 Pole Mounted LBS	1	ea	
2	AB6737	Pole bolt M20 x 400mm c/w nut, washers & coil spring	2	ea	LBS
3	GA4057	Surge Arrester 33kV Class A	6	ea	
4	FL0402	Lug bi-metal 150 ABC suits M12 bolt	30	ea	
5	FT0150	Lead 150 ABC 4m long	2	ea	
6		Splice 150 ABC to suit conductor and PG clamp. Select from CN69 or CN70	6	ea	
7	FL0143	Lug 50-70sqmm, 19/1.78-19/2.14, Cu Alloy M12	2	ea	
8	EE1319	Cable 3C 2.5mm ² PVC (7.5m reel)	1	reel	
9	GC7872	Conduit corrugated, flexible PVC 20mm, 10m long, grey	1	roll	
10	AB6736	Pole bolt M12 x 400mm c/w nut, washers & coil spring	2	ea	Control box
11	FL7690	Lug bi-metal 180sqmm-19/3.25 AAC suits M12 bolt	6	ea	
12	GC7846	Gland heavy-duty PVC, 20mm for corrugated conduit	3	ea	
13	OH0194	Padlock - new restricted profile mast	1	ea	
14		Select Parallel Groove (PG) clamp to suit conductor. Select from CN9	6	ea	
15	GF1804	Fuse holder	1	ea	
16	GF0550	Fuse 10A,240/415V	1	ea	
17	EE1126	2C, 16sqmm stranded copper 0.6/1kV	10	mtr	
18		Select from HV54 for MV Isolator	6	ea	
19	CB1121	Xarm metal, 2.4m x 102mm square hollow galv.	1	ea	
20	AB6733	Pole bolt M16 x 400mm c/w nut, washer and coil spring	2	ea	Xarm
21	CB3025	Bracket, xarm mounting	1	ea	
22	AB4567	Bolt M12 x 150mm long for extension bracket mounting	6	ea	
23	AB4608	Bolt M16 x 90mm long with nut for brkts & isol. mounting	9	ea	
24	CB0550	Isolator extension bracket	3	ea	
25	CC0130	Parallel-groove clamp Cu-Cu (6sqmm - 70sqmm)	2	ea	
26	EE1264	Wire 70sqmm 19/2.14 stranded copper	15	mtr	
27	CB0356	Cross arm end cap 100mm x 100mm Plastic	2	ea	



 DISTRIBUTION DESIGN CATALOGUE OPERATIONS DIVISION	COMPATIBLE UNIT	REVISION 1	DATE MAY 2024
	INTERMEDIATE DOUBLE CROSS-ARM	DRAWING No. HV45	

PUBLIC

CU	CU DESCRIPTION
HV45_2S	2 phase intermediate double cross-arm

ITEM NUMBER	STOCK NUMBER	DESCRIPTION	QTY RQD	UNIT OF MEASURE	REMARKS
1	IC0086	Stand-off insulator, tie top 33kV, Raychem	4	ea	
2	CB0109	Unitised xarm, 1.9m hollow galvanised with raiser	2	ea	
3	AB6733	Pole bolt M16 x 400mm c/w nut, washers & coil spring	1	ea	
4	AB4822	Insulator stud	4	ea	
5	AB6732	Bolt, M16 x 550mm c/w nut and washers for pole & x-arms	3	ea	
6	CB0355	Cross arm end cap 75mm x 75mm Plastic	4	ea	

CU	CU DESCRIPTION
HV45_3S	3 phase intermediate double cross-arm

ITEM NUMBER	STOCK NUMBER	DESCRIPTION	QTY RQD	UNIT OF MEASURE	REMARKS
1	IC0086	Stand-off insulator, tie top 33kV, Raychem	6	ea	
2	CB0109	Unitised xarm, 1.9m hollow galvanised with raiser	2	ea	
3	AB6733	Pole bolt M16 x 400mm c/w nut, washers & coil spring	1	ea	
4	AB4822	Insulator stud	6	ea	
5	AB6732	Bolt, M16 x 550mm c/w nut and washers for pole & x-arms	3	ea	
6	CB0355	Cross arm end cap 75mm x 75mm Plastic	4	ea	

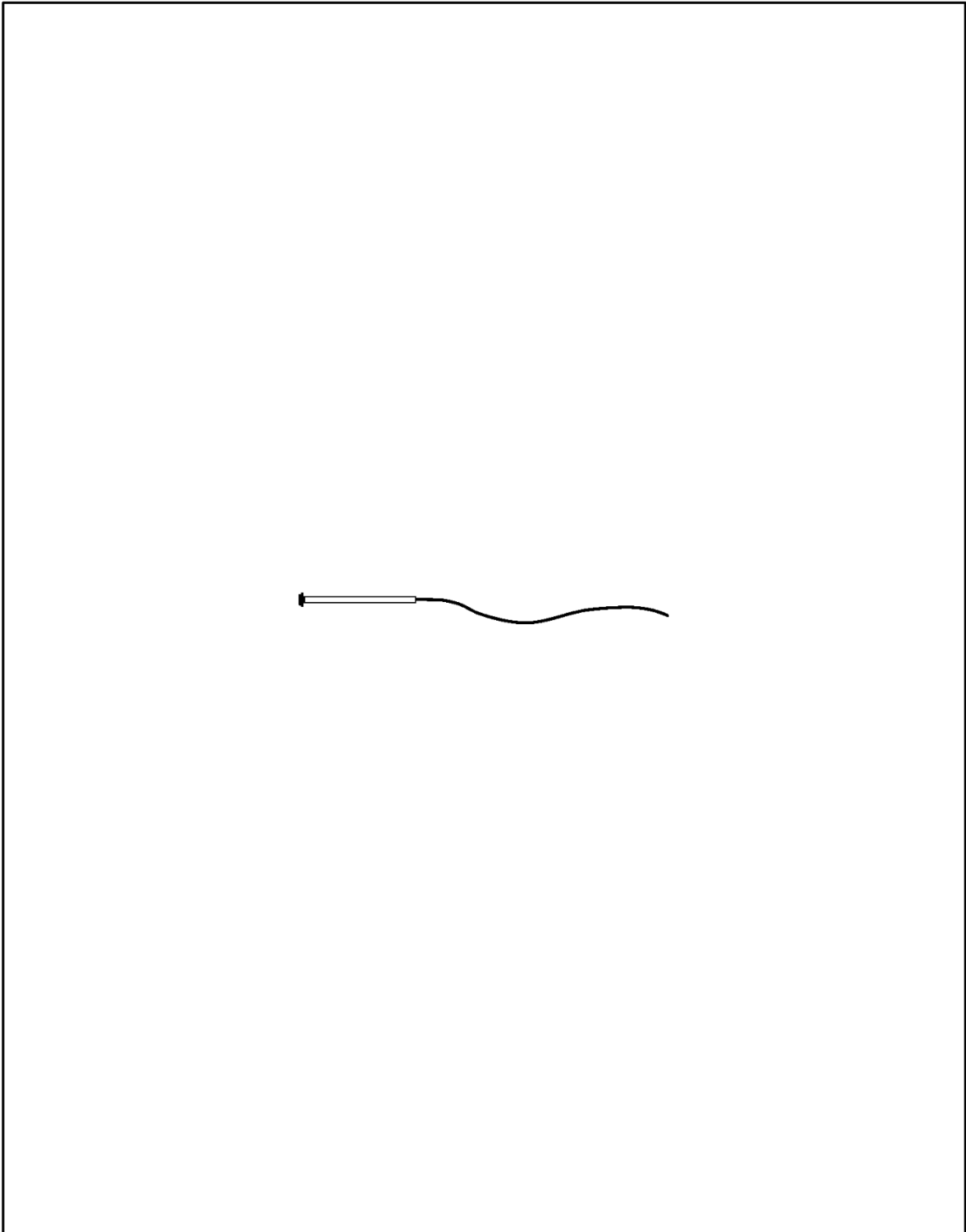
CU	CU DESCRIPTION
HV45_3S_AS	3 phase intermediate Anti Swan double cross-arm (0.53m raiser)


ITEM NUMBER	STOCK NUMBER	DESCRIPTION	QTY RQD	UNIT OF MEASURE	REMARKS
1	IC0086	Stand-off insulator, tie top 33kV, Raychem	6	ea	
2	CB0114	Unitised xarm, 3.3m with 0.53m raiser	2	ea	
3	AB6733	Pole bolt M16 x 400mm c/w nut, washers & coil spring	1	ea	
4	AB4822	Insulator stud	6	ea	
5	AB6732	Bolt, M16 x 550mm c/w nut and washers for pole & x-arms	3	ea	
6	CB0357	Cross arm end cap 125mm x 75mm Plastic	4	ea	

PUBLIC

CU	CU DESCRIPTION
HV45_3S_AS1	3 phase intermediate Anti Swan double cross-arm (1m raiser)

ITEM NUMBER	STOCK NUMBER	DESCRIPTION	QTY RQD	UNIT OF MEASURE	REMARKS
1	IC0086	Stand-off insulator, tie top 33kV, Raychem	6	ea	
2	CB0111	Unitised xarm, 3.3m hollow galvanised with raiser	2	ea	
3	AB6733	Pole bolt M16 x 400mm c/w nut, washers & coil spring	1	ea	
4	AB4822	Insulator stud	6	ea	
5	AB6732	Bolt, M16 x 550mm c/w nut and washers for pole & x-arms	3	ea	
6	CB0357	Cross arm end cap 125mm x 75mm Plastic	4	ea	



 DISTRIBUTION DESIGN CATALOGUE	COMPATIBLE UNIT	REVISION 1	DATE 24.01.13
	LINK ELEMENT EDO FUSES	DRAWING No. HV51	
OPERATIONS DIVISION			

PUBLIC

CU	CU DESCRIPTION
HV51_3.15EDO	Expulsion Drop out Fuse_3.15 Amps

ITEM NUMBER	STOCK NUMBER	DESCRIPTION	QTY RQD	UNIT OF MEASURE	REMARKS
1	GF1562	Fuse 3.15A 12-24kV	1	ea	

CU	CU DESCRIPTION
HV51_5EDO	Expulsion Drop out Fuse_5 Amps

ITEM NUMBER	STOCK NUMBER	DESCRIPTION	QTY RQD	UNIT OF MEASURE	REMARKS
1	GF1563	Fuse 5A 12-24kV	1	ea	

CU	CU DESCRIPTION
HV51_8EDO	Expulsion Drop out Fuse_8 Amps

ITEM NUMBER	STOCK NUMBER	DESCRIPTION	QTY RQD	UNIT OF MEASURE	REMARKS
1	GF1564	Fuse 8A 12-24kV	1	ea	

CU	CU DESCRIPTION
HV51_10EDO	Expulsion Drop out Fuse_10 Amps

ITEM NUMBER	STOCK NUMBER	DESCRIPTION	QTY RQD	UNIT OF MEASURE	REMARKS
1	GF1565	Fuse 10A 12-24kV	1	ea	

CU	CU DESCRIPTION
HV51_16EDO	Expulsion Drop out Fuse_16 Amps

ITEM NUMBER	STOCK NUMBER	DESCRIPTION	QTY RQD	UNIT OF MEASURE	REMARKS
1	GF1566	Fuse 16A 12-24kV	1	ea	

PUBLIC

CU	CU DESCRIPTION
HV51_20EDO	Expulsion Drop out Fuse_20 Amps

ITEM NUMBER	STOCK NUMBER	DESCRIPTION	QTY RQD	UNIT OF MEASURE	REMARKS
1	GF1538	Fuse 20A 12-24kV	1	ea	

CU	CU DESCRIPTION
HV51_25EDO	Expulsion Drop out Fuse_25 Amps

ITEM NUMBER	STOCK NUMBER	DESCRIPTION	QTY RQD	UNIT OF MEASURE	REMARKS
1	GF1568	Fuse 25A 12-24kV	1	ea	

CU	CU DESCRIPTION
HV51_31.5EDO	Expulsion Drop out Fuse_31.5 Amps

ITEM NUMBER	STOCK NUMBER	DESCRIPTION	QTY RQD	UNIT OF MEASURE	REMARKS
1	GF1540	Fuse 31.5A 12-24kV	1	ea	

CU	CU DESCRIPTION
HV51_40EDO	Expulsion Drop out Fuse_40 Amps

ITEM NUMBER	STOCK NUMBER	DESCRIPTION	QTY RQD	UNIT OF MEASURE	REMARKS
1	GF1570	Fuse 40A 12-24kV	1	ea	

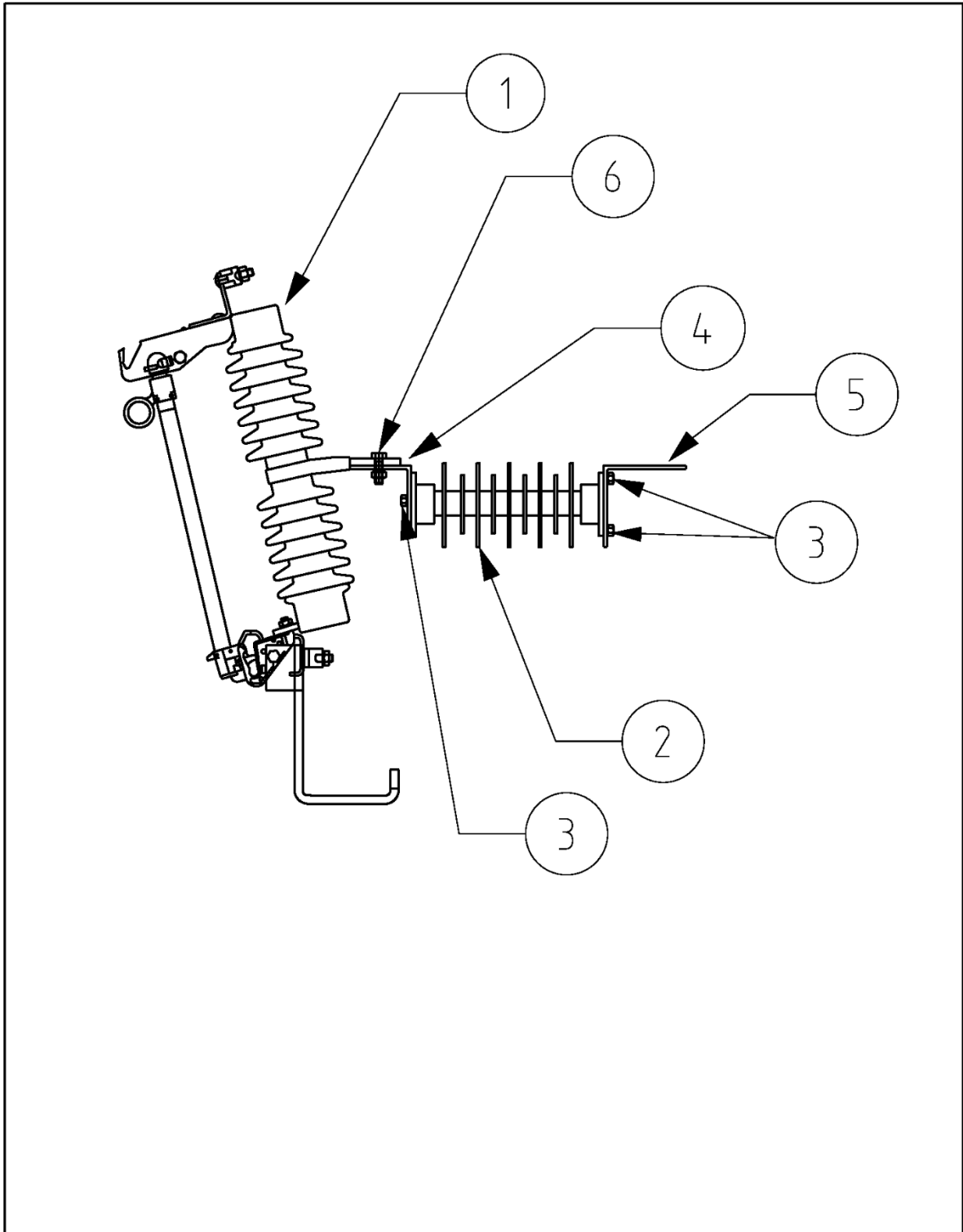
CU	CU DESCRIPTION
HV51_63EDO	Expulsion Drop out Fuse_63 Amps


ITEM NUMBER	STOCK NUMBER	DESCRIPTION	QTY RQD	UNIT OF MEASURE	REMARKS
1	GF1543	Fuse 63A 12-24kV	1	ea	

PUBLIC

CU	CU DESCRIPTION
HV51_80EDO	Expulsion Drop out Fuse_80 Amps

ITEM NUMBER	STOCK NUMBER	DESCRIPTION	QTY RQD	UNIT OF MEASURE	REMARKS
1	GF1546	Fuse 80A 12-24kV	1	ea	

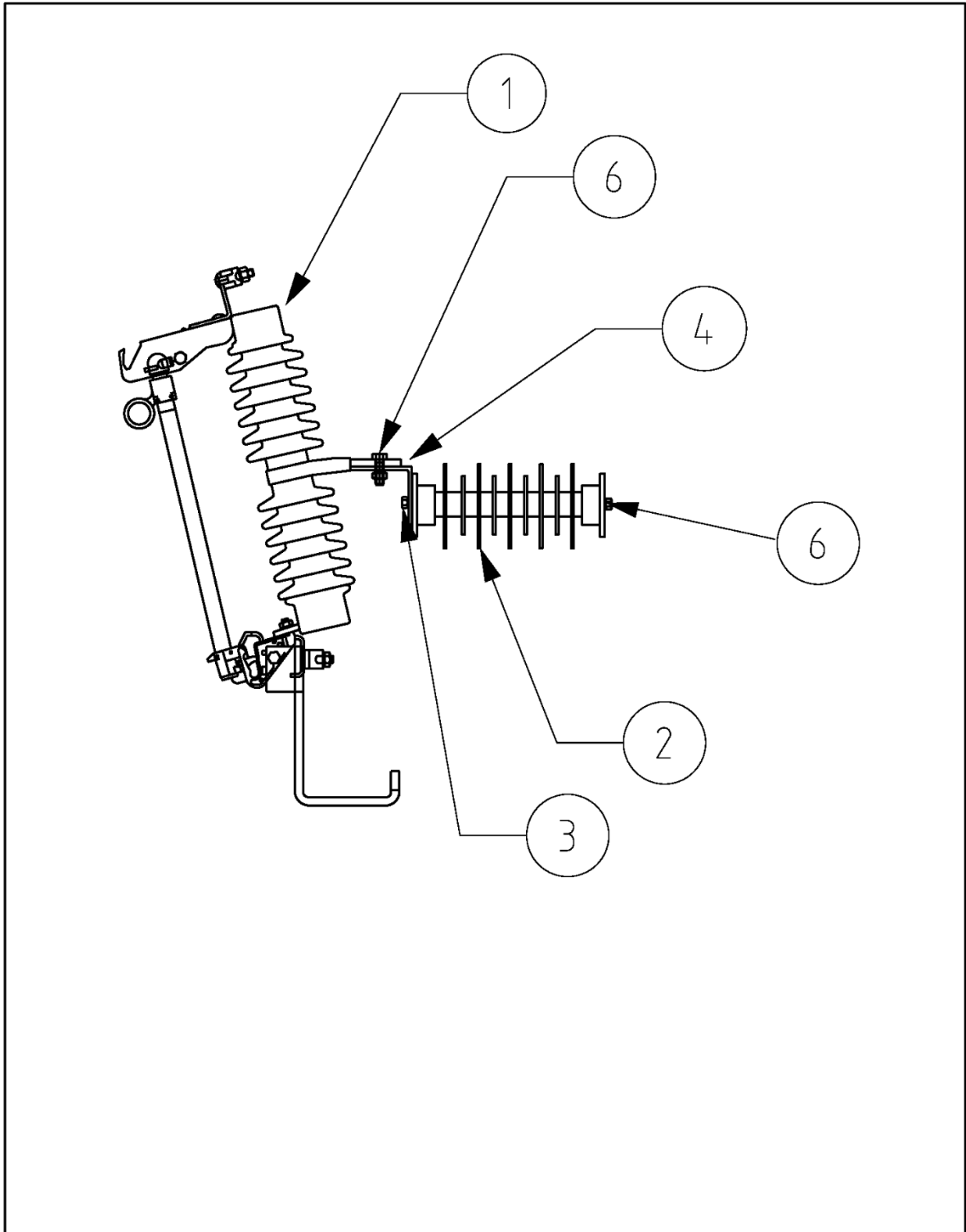



 DISTRIBUTION DESIGN CATALOGUE	COMPATIBLE UNIT	REVISION 2	DATE MAR. 24
	DROP OUT FUSE BASE WITH MOUNTING BRACKET	DRAWING No. HV53	

PUBLIC

CU	CU DESCRIPTION
HV53	Drop-out Fuse Base with Mounting Bracket

ITEM NUMBER	STOCK NUMBER	DESCRIPTION	QTY RQD	UNIT OF MEASURE	REMARKS
1	GF1857	Drop out fuse base	1	ea	
2	IC0083	Stand-off insulator	1	ea	
3	AB2957	Bolt M12 x 30mm long	4	ea	
4	CB0481	Mounting Bracket (EDO side)	1	ea	
5	CB0482	Mounting Bracket and Bolt (Cross arm side)	1	ea	
6	AB4551	Bolt M12 40mm long	1	ea	
	AW2429	12mm lock washer	1	ea	
	AW3523	12mm flat washer	1	ea	

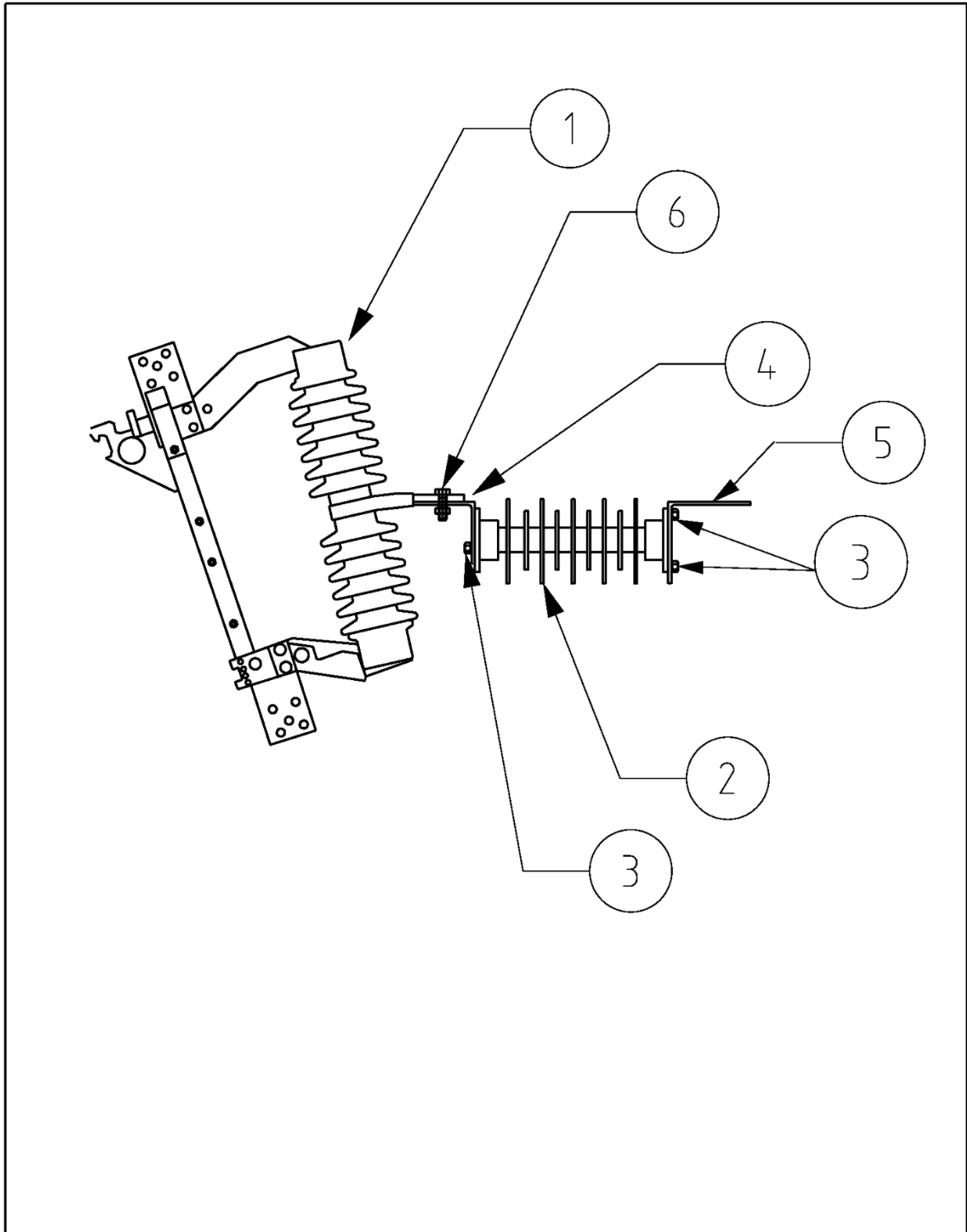



 DISTRIBUTION DESIGN CATALOGUE	COMPATIBLE UNIT	REVISION 1	DATE 11.03.24
	DROP OUT FUSE BASE WITHOUT MOUNTING BRACKET	DRAWING No. HV53_2	

PUBLIC

CU	CU DESCRIPTION
HV53_2	Drop-out Fuse Base without Mounting Bracket

ITEM NUMBER	STOCK NUMBER	DESCRIPTION	QTY RQD	UNIT OF MEASURE	REMARKS
1	GF1857	Drop out fuse base	1	ea	
2	IC0083	Stand-off insulator	1	ea	
3	AB2957	Bolt M12 x 30mm screw	2	ea	
4	CB0481	Mounting Bracket (EDO side)	1	ea	
6	AB4567	Bolt M12 x 150mm c/w nut	3	ea	
	AW2429	12mm lock washer	3	ea	
	AW3523	12mm flat washer	3	ea	

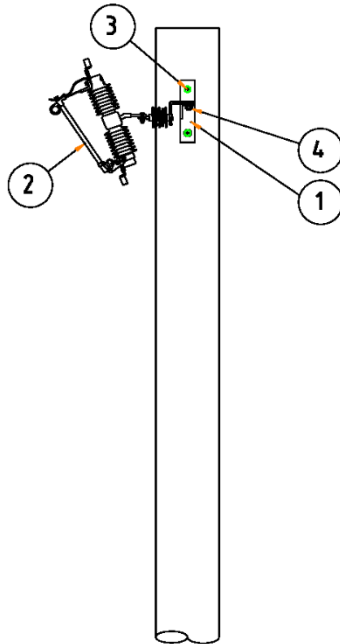



	COMPATIBLE UNIT	REVISION 0	DATE MAY 2024
	MV ISOLATOR WITH MOUNTING BRACKET	DRAWING No. HV54	

PUBLIC

CU	CU DESCRIPTION
HV54	MV Isolator with Mounting Bracket

ITEM NUMBER	STOCK NUMBER	DESCRIPTION	QTY RQD	UNIT OF MEASURE	REMARKS
1	GS0083	Isolator	1	ea	
2	IC0083	Stand-off insulator	1	ea	
3	AB2957	Bolt M12 x 30mm long	4	ea	
4	CB0481	Mounting Bracket (Isolator side)	1	ea	
5	CB0482	Mounting Bracket and Bolt (Cross arm side)	1	ea	
6	AB4551	Bolt M12 40mm long	1	ea	
	AW2429	12mm lock washer	1	ea	
	AW3523	12mm flat washer	1	ea	

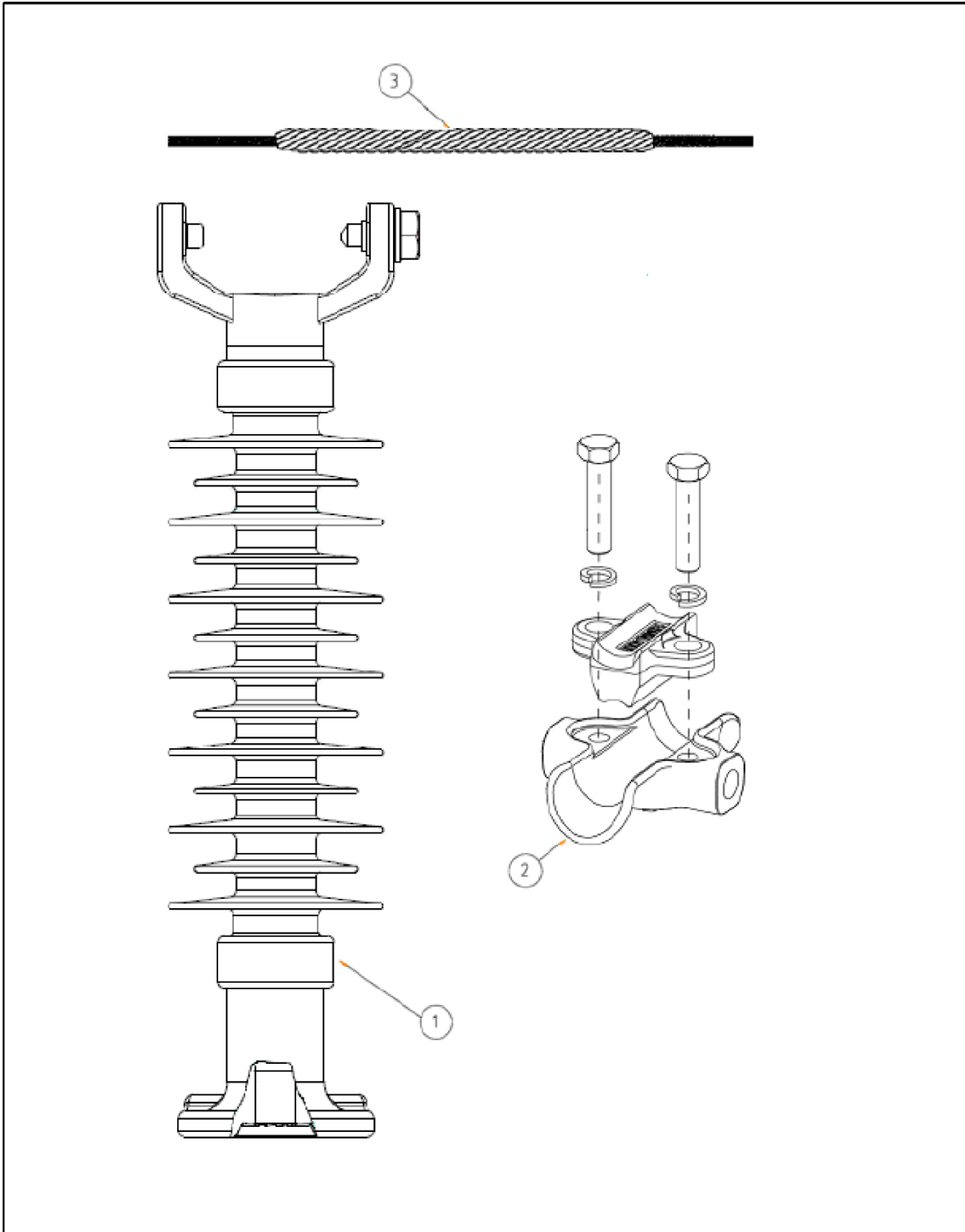



 DISTRIBUTION DESIGN CATALOGUE OPERATIONS DIVISION	COMPATIBLE UNIT	REVISION 1	DATE 23/11/12
	1 PHASE DROP OUT FUSES	DRAWING No. HV60	

PUBLIC

CU	CU DESCRIPTION
HV60	1 Phase drop-out fuse

ITEM NUMBER	STOCK NUMBER	DESCRIPTION	QTY RQD	UNIT OF MEASURE	REMARKS
1	CB0240	Rural support bracket	1	ea	
2		Select from HV53 for Drop-out Fuse base and HV51 for Fuse link	1	ea	
3	AB6733	Pole bolt – M16 x 400mm c/w nut, washers & coil spring	2	ea	
4	AB4663	Bolt M20 x 50mm c/w with nut	1	ea	



 DISTRIBUTION DESIGN CATALOGUE OPERATIONS DIVISION	COMPATIBLE UNIT	REVISION 1	DATE 23/11/12
	CLAMP-TOP INSULATOR	DRAWING No. HV61	

PUBLIC

CU	CU DESCRIPTION
HV61_AA	Clamp top insulator for AAC & AAAC - materials Only

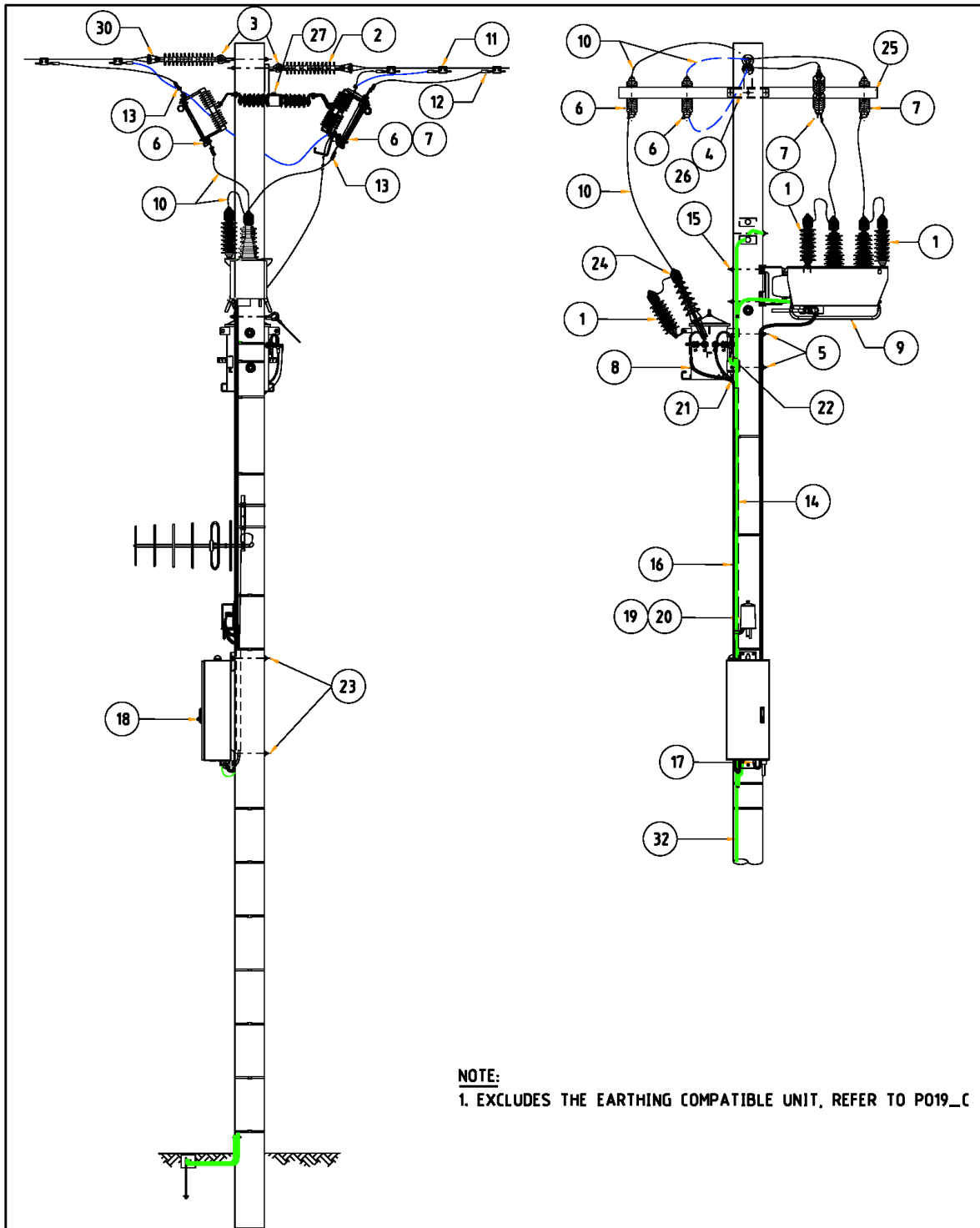
ITEM NUMBER	STOCK NUMBER	DESCRIPTION	QTY RQD	UNIT OF MEASURE	REMARKS
1	ICH0087	Clamp top insulator 33kV	1	ea	
2	ICH0091	Insulator clamp for 7-32mm dia Al conductor	1	ea	

CU	CU DESCRIPTION
HV61_SCAC	Clamp top insulator for 3/2.75 SC/AC - materials Only


ITEM NUMBER	STOCK NUMBER	DESCRIPTION	QTY RQD	UNIT OF MEASURE	REMARKS
1	ICH0087	Clamp top insulator 33kV	1	ea	
2	ICH0090	Insulator clamp for 7-32mm dia Al conductor	1	ea	
3	CF0350	Armour rod	1	ea	

CU	CU DESCRIPTION
HV61_SCGZ	Clamp top insulator for 3/2.75 SC/GZ - materials Only

ITEM NUMBER	STOCK NUMBER	DESCRIPTION	QTY RQD	UNIT OF MEASURE	REMARKS
1	ICH0087	Clamp top insulator 33kV	1	ea	
2	ICH0090	Insulator clamp for 8.9-21.3mm dia ferrous conductor	1	ea	
3	CF0258	Armour rod	1	ea	



NOTE:
1. EXCLUDES THE EARTHING COMPATIBLE UNIT, REFER TO P019_C

 HORIZON POWER DISTRIBUTION DESIGN CATALOGUE	COMPATIBLE UNIT	REVISION 2	DATE MAY 2024
	SINGLE PHASE RECLOSER IN-LINE DOF/STAND-OFF BRACKET WITH SINGLE PHASE TRANSFORMER SUPPLY	DRAWING No. HV65	

PUBLIC

CU	CU DESCRIPTION
HV65_12.7TX	Single phase recloser with bypass and 12.7kV/250-500V transformer

ITEM NUMBER	STOCK NUMBER	DESCRIPTION	QTY RQD	UNIT OF MEASURE	REMARKS
1	GA4056	Surge arrester 22kV Class A	3	ea	
2	IC0041	Strain Insulator, 33kV 70kN Synthetic Composite, Long Rod Red H/Pollution Tongue and Clevis	2	ea	
3	AB6025	Eyebolt 16mm dia 400mm long	2	ea	
4	CB3025	Xarm bracket supplied with nuts & bolts	1	ea	
5	AB6733	Pole bolt M16 x 400mm c/w nut, washers & coil spring	2	ea	Transf
6		Select from HV53 for Drop-out Fuse base and HV51 for Fuse link	2	ea	
7		Select from HV54 for MV Isolator	2	ea	
8	XT0206	Transformer 10kVA, 12.7kV/250-500V, Tyree	1	ea	
9	GS0319	NOJA Recloser, 38kV, Single phase, includes RC10 Control unit	1	ea	
10	FT0095	Lead 95 ABC 4m long	1	ea	
11		Select Parallel groove (PG) Clamp to suit conduct Select from CN9	5	ea	
12		Splice 95 ABC to suit conductor and PG clamp. Select from CN69 or CN70	5	ea	
13	FL0401	Lug, bi-metal 95 ABC suits M12 bolt	17	ea	
14	EE1264	Wire 70sqmm 19/2.14 stranded copper	15	mtr	
15	AB6737	Pole bolt M20 x 400mm c/w nut, washers & coil spring	2	ea	Recloser
16	GC7872	Conduit corrugated, flexible PVC 20mm, 10m long, grey	1	roll	
17	GC7846	Gland heavy-duty PVC, 20 mm for corrugated conduit	3	ea	
18	OH0194	Padlock - new restricted profile mast	1	ea	
19	GF1804	Fuse holder	1	ea	
20	GF0550	Fuse 10A,240/415V	1	ea	
21	EE1126	2C, 16sqmm stranded copper 0.6/1kV	10	mtr	
22	FL0143	Lug 50-70sqmm, 19/1.78-19/2.14, Cu Alloy M12	3	ea	
23	AB6736	Pole bolt M12 x 400mm c/w nut, washers & coil spring	2	ea	Control box
24	GT0353	HV Bushing Cover	1	ea	
25	CB1121	Xarm metal, 2.4m x 102mm square hollow galv.	1	ea	
26	AB6732	Pole bolt M16 x 550mm c/w nut, washers & coil spring	1	ea	
27	AB4567	Bolt M12 x 150 mm long	8	ea	DOF & Isolator
29	CB0356	Cross arm end cap 100mm x 100mm Plastic	2	ea	
30		Select conductor termination from CN1 or CN4 to suit conductor	2	ea	
32	CC0130	Copper Parallel Groove Clamp 70sqmm	3	ea	

PUBLIC

CU	CU DESCRIPTION
HV65_19.1TX	Single phase recloser with bypass and 19.1kV/250-500V transformer

ITEM NUMBER	STOCK NUMBER	DESCRIPTION	QTY RQD	UNIT OF MEASURE	REMARKS
1	GA4057	Surge arrester 33kV Class A	3	ea	
2	IC0041	Strain Insulator, 33kV 70kN Synthetic Composite, Long Rod Red H/Pollution Tongue and Clevis	2	ea	
3	AB6025	Eyebolt 16mm dia 400mm long	2	ea	
4	CB3025	Xarm bracket supplied with nuts & bolts	1	ea	
5	AB6733	Pole bolt M16 x 400mm c/w nut, washers & coil spring	2	ea	Transf
6		Select from HV53 for Drop-out Fuse base and HV51 for Fuse link	2	ea	
7		Select from HV54 for MV Isolator	2	ea	
8	XT0208	Transformer 10kVA, 19.1kV/250-500V, Tyree	1	ea	
9	GS0319	NOJA Recloser, 38kV, Single phase, includes RC10 Control unit	1	ea	
10	FT0095	Lead 95 ABC 4m long	1	ea	
11		Select Parallel groove (PG) Clamp to suit conduct Select from CN9	5	ea	
12		Splice 95 ABC to suit conductor and PG clamp. Select from CN69 or CN70	5	ea	
13	FL0401	Lug, bi-metal 95 ABC suits M12 bolt	17	ea	
14	EE1264	Wire 70sqmm 19/2.14 stranded copper	15	mtr	
15	AB6737	Pole bolt M20 x 400mm c/w nut, washers & coil spring	2	ea	Recloser
16	GC7872	Conduit corrugated, flexible PVC 20mm, 10m long, grey	1	roll	
17	GC7846	Gland heavy-duty PVC, 20 mm for corrugated conduit	3	ea	
18	OH0194	Padlock - new restricted profile mast	1	ea	
19	GF1804	Fuse holder	1	ea	
20	GF0550	Fuse 10A,240/415V	1	ea	
21	EE1126	2C, 16sqmm stranded copper 0.6/1kV	10	mtr	
22	FL0143	Lug 50-70sqmm, 19/1.78-19/2.14, Cu Alloy M12	3	ea	
23	AB6736	Pole bolt M12 x 400mm c/w nut, washers & coil spring	2	ea	Control box
24	GT0353	HV Bushing Cover	1	ea	
25	CB1121	Xarm metal, 2.4m x 102mm square hollow galv.	1	ea	
26	AB6732	Pole bolt M16 x 550mm c/w nut, washers & coil spring	1	ea	
27	AB4567	Bolt M12 x 150 mm long	8	ea	DOF & Isolator
29	CB0356	Cross arm end cap 100mm x 100mm Plastic	2	ea	
30		Select conductor termination from CN1 or CN4 to suit conductor	2	ea	
32	CC0130	Copper Parallel Groove Clamp 70sqmm	3	ea	

REVISION INFORMATION

(Informative) Horizon Power has endeavoured to provide standards of the highest quality and would appreciate notification if any errors are found or even queries raised.

Each Standard makes use of its own comment sheet which is maintained throughout the life of the standard, which lists all comments made by stakeholders regarding the standard.

The document **DM# 2337302** can be used to record any errors or queries found in or pertaining to this standard, which can then be addressed whenever the standard gets reviewed.

Date	Rev No.	Notes
	0	Western Power Supplied
01/07/2009	1	Original Horizon Power issue
11/01/2011	2	Change of Cross-arm description, surge arrestor, and transformer description
10/07/2012	3	Boric Acid fuse arrangements removed and Note 1 revised. Pole bolts revised to suit steel poles
21/01/2014	4	Index Drawing and List <ul style="list-style-type: none"> • HV34 removed HV5 Drawing <ul style="list-style-type: none"> • Item (6) added HV5 List <ul style="list-style-type: none"> • Second Item (1) changed to Item (6) for 3 phase applications HV7, HV8, HV9 & HV10 Drawings <ul style="list-style-type: none"> • Item (8) added HV7, HV8, HV9 & HV10 Lists <ul style="list-style-type: none"> • Second Item (1) changed to Item (8) for 3 phase applications HV11-1, HV13, HV24 & HV25 Lists <ul style="list-style-type: none"> • Item (11), (12), (14) & (15) removed HV19 Drawing <ul style="list-style-type: none"> • Item (6), (7), (9) & (10) removed HV19 List <ul style="list-style-type: none"> • Item (6), (7), (9) & (10) removed HV23 Drawing <ul style="list-style-type: none"> • Item (13), (14), (16) & (17) removed HV23 List <ul style="list-style-type: none"> • Item (13), (14), (16) & (17) removed HV34 Drawing & List- removed HV39 Drawing <ul style="list-style-type: none"> • Item (3), (4), (5) & (6) removed

PUBLIC

Date	Rev No.	Notes
		<p>HV39 List</p> <ul style="list-style-type: none"> • Item (3), (4), (5) & (6) removed <p>HV40-1, HV40-2 & HV40-3 Drawings</p> <ul style="list-style-type: none"> • Item (33), (34), (36) & (37) removed <p>HV40_22R_TX, HV40_33R_TX, HV40_22M_TX, HV40_33M_TX HV40_22_LV, HV40_33_LV Lists</p> <ul style="list-style-type: none"> • Item (33), (34), (36) & (37) removed
10/2019	5	<p>Note 1 revised for PTS run down.</p> <p>Note 2 added for GS0120.</p> <p>Stock item descriptions updated for consistency.</p> <p>HV65 drawing and lists added.</p> <p>HV53 drawing and lists added.</p> <p>HV61 drawing and lists added for clamp-top insulators.</p> <p>HTH0001 (Denso tape) added for:</p> <ul style="list-style-type: none"> • HV24_22_TX • HV24_33_TX • HV25_22 • HV25_33 • HV40_22R_TX • HV40_33R_TX • HV40_22M_TX • HV40_33M_TX • HV40_22M_LV • HV40_33M_LV <p>GF1510 removed from the lists:</p> <ul style="list-style-type: none"> • HV24_22_TX • HV24_33_TX • HV25_22 • HV25_33 • HV40_22R_TX • HV40_33R_TX • HV40_22M_TX • HV40_33M_TX <p>Stock item CT0164 replaced with "Select wire ties from CN26 or CN27" for:</p> <ul style="list-style-type: none"> • HV11_22 • HV11_33 • HV13_22 • HV13_33 <p>HV24 drawing updated for new Tyree TX:</p> <ul style="list-style-type: none"> • HV24 • HV25 • HV40-1 • HV40-2

PUBLIC

Date	Rev No.	Notes
		<p>XT0022 replaced with XT0208 for lists:</p> <ul style="list-style-type: none"> • HV25_33 • HV40_33R_TX <p>XT0018 updated to XT0206 for lists:</p> <ul style="list-style-type: none"> • HV25_22 • HV40_22R_TX <p>XT0026 updated to XT0203 for lists:</p> <ul style="list-style-type: none"> • HV24_22_TX • HV40_22M_TX <p>GSH0130 implemented:</p> <ul style="list-style-type: none"> • HV23_33_LB • HV23 drawing updated. • HV19_33_LB added. • HV19 drawing updated. • HV13_LB added • HV13 drawing updated • HV11_LB added • HV11 drawing updated <p>Changes throughout:</p> <ul style="list-style-type: none"> • AB4820 changed to AB4822 (insulator stud M24 x 173mm) • AB6010 changed to AB6025 (eyebolt M16 x 400mm) • AB6003 changed to AB6020 (eyebolt M16 x 200mm) • GF1850 replaced with GF1857 throughout. • CC0138 removed, note to select from CN9 added (PG clamps) • GS0081 changed to GS0083 (MV isolator) • Copper PG clamps (CC0130) added to units with pole earth branching. • GT0351 is replaced with GT0353 throughout(Wildlife protection cover) • FB0602 and GZH0010 are replaced with GZ0016. • GF1801 and GF0550, 10A HRC fuse and 100A fuse Holder added. <p>HV13_33, HV23_33:</p> <ul style="list-style-type: none"> • AB4600 removed and replaced with AN1495 & AB4558. <p>HV24_22_TX, HV24_33_TX, HV25_22, HV25_33:</p> <ul style="list-style-type: none"> • AB4558 removed and replaced with AB4608 • AB4565 removed and replaced with AB4569 <p>HV32 List:</p> <ul style="list-style-type: none"> • AB4596 changed to AB4663 <p>HV40_22R_TX, HV40_33R_TX, HV40_22M_TX, HV40_33M_TX Lists:</p> <ul style="list-style-type: none"> • AB4565 removed and replaced with AB4569 • AB4612 added <p>HV45 (double cross-arm arrangements) lists and drawing added</p> <p>HV13-1: Item 19 is changed to 13 in drawing</p> <p>HV18: Item 6 (OS0055-Shackle) added</p> <p>HV40-2: Item 3 and item 31 pointer corrected in drawing</p>

Date	Rev No.	Notes
		<p>Selection of HV51 description is replaced with selection of HV51 and HV53 description in below CU list:</p> <p>HV8_2PH, HV8_3PH, HV10_2PH, HV10_3PH, HV12_2PH, HV12_3PH, HV13_22, HV13_33 HV20_2PH, HV20_3PH, HV23_22 , HV23_33, HV23_33_LB, HV24_22_TX, HV24_33_TX, HV40_22R_TX, HV40_33R_TX, HV40_33M_TX, HV40_22M_TX, HV65_19.1TX</p> <p>Complete list of Stock code of HV53 is added in below CU:</p> <ul style="list-style-type: none"> • HV27 • HV31 • HV32 • HV60 <p>HV INDEX Sheet 2 updated with HV53 and HV61</p> <p>HV12_3PH: Item 1 x AB6732 added; AB6733 Qty reduced to 1</p>
13/05/2021	6	<p>IC0014 replaced with ICH0014:</p> <ul style="list-style-type: none"> • HV3_1PH • HV3_1PH_EX • HV3_2PH • HV3_2PH_EX • HV3_3PH • HV3_3PH_EX • HV5_2PH • HV5_3PH • HV5_3PH_AS • HV7_2PH • HV7_3PH • HV7_3PH_AS • HV8_2PH • HV8_3PH • HV9_2PH • HV9_3PH • HV10_2PH • HV10_3PH • HV18 • HV19_33_LB • HV23_33_LB • HV23_33_ND • HV24_22_TX • HV24_33_TX • HV27 • HV31 • HV32 • HV33 • HV65_19.1TX <p>PTS Brackets added in the drawing</p> <p>Drawings updated reflecting new Acculec PTS for</p> <ul style="list-style-type: none"> • HV11-2 • HV13-2 • HV19-2 • HV23-2 <p>New CB0486 introduced to fit on the ACCULEC PTS</p> <p>CU List updated for HV23_33_LB:</p>

PUBLIC

Date	Rev No.	Notes
		<ul style="list-style-type: none"> • CB3028 replaced with CB0486 • AB4558 replaced with AB2958 <p>New CU HV23_33_ND created for Termination PTS load-breakable without DOF 33kV.</p> <p>CU List updated for HV25:</p> <p>CB0489 replaced with CB0550</p> <p>CU list for replaced items with equipment list by HV53</p> <ul style="list-style-type: none"> • Item 3 of HV27 • Item 5 of HV31 • Item 3 of HV32 • Item 2 of HV60 <p>Update quantity of AB2957 from 4 to 2</p> <ul style="list-style-type: none"> • HV53
20/05/2024	7	<p>Removed CU's:</p> <ul style="list-style-type: none"> • HV3_2PH, HV3_2PH_EX, HV3_3PH & HV3_3PH_EX • HV10_2PH & HV10_3PH • HV24_22_TX & HV24_33_TX • HV40_22M_TX & HV40_33M_TX <p>New CU's</p> <ul style="list-style-type: none"> • HV25_22_LV & HV25_33_LV • HV51_20EDO • HV53_2 • HV54 • HV65_12.7TX <p>CB0355 added to</p> <ul style="list-style-type: none"> • HV1_2PH • HV1_3PH • HV45_2S • HV45_3S <p>CB0356 added to</p> <ul style="list-style-type: none"> • HV1_3PH_2.4M • HV6_3PH • HV9_2PH • HV9_3PH • HV12_2PH • HV12_3PH • HV20_2PH • HV20_3PH • HV21_3PH • HV25_22 • HV25_33 • HV25_22_LV • HV25_33_LV • HV40_22R_TX • HV40_33R_TX • HV40_22_LV • HV40_33_LV • HV65_19.1TX <p>CB0357 added to</p> <ul style="list-style-type: none"> • HV1_3PH_AS • HV1_3PH_AS1

Date	Rev No.	Notes
		<ul style="list-style-type: none"> • HV5_2PH • HV5_3PH • HV5_3PH_AS • HV7_2PH • HV7_3PH • HV7_3PH_AS • HV8_2PH • HV8_3PH • HV45_3S_AS • HV45_3S_AS1 <p>ICH0014 replaced with IC0041</p> <ul style="list-style-type: none"> • HV3_1PH • HV3_1PH_EX • HV5_2PH • HV5_3PH • HV5_3PH_AS • HV7_2PH • HV7_3PH • HV7_3PH_AS • HV8_2PH • HV8_3PH • HV9_2PH • HV9_3PH • HV18 • HV19_33_LB • HV23_33_LB • HV23_33_ND • HV27 • HV31 • HV32 • HV33 • HV65_19.1TX <p>CJ0496 Items replaced with text "Select from CN69 or CN70"</p> <ul style="list-style-type: none"> • HV11_33_LB • HV13_33_LB • HV25_22 • HV25_33 • HV40_22R_TX • HV40_33R_TX • HV40_22_LV • HV40_33_LV <p>GA4002 replaced with GA4056</p> <ul style="list-style-type: none"> • HV25_22 • HV39_22 • HV40_22R_TX • HV40_22_LV <p>GA4003 replaced with GA4057</p> <ul style="list-style-type: none"> • HV25_33 • HV39_33 • HV40_33R_TX • HV40_33_LV • HV65_19.1TX <p>GS0311 and GS0312 replaced with GS0320</p> <ul style="list-style-type: none"> • HV25_22

Date	Rev No.	Notes
		<ul style="list-style-type: none"> • HV25_33 • HV25_22_LV • HV25_33_LV <p>GF1801 replaced with GF1804</p> <ul style="list-style-type: none"> • HV25_22 • HV25_33 • HV40_22R_TX • HV40_33R_TX • HV40_22_LV • HV40_33_LV • HV65_19.1TX <p>GZ0016 replaced with GF0550 (change of item no.)</p> <ul style="list-style-type: none"> • HV25_22 • HV25_33 • HV40_22R_TX • HV40_33R_TX • HV40_22_LV • HV40_33_LV • HV65_19.1TX <p>CB0552 removed from</p> <ul style="list-style-type: none"> • HV25_22 • HV25_33 • HV40_22R_TX • HV40_33R_TX <p>CJ0494 Items replaced with text "Select from CN69 or CN70"</p> <ul style="list-style-type: none"> • HV25_22 • HV25_33 • HV40_22R_TX • HV40_33R_TX • HV65_19.1TX <p>GS0083 Items replaced with text "Select from HV54"</p> <ul style="list-style-type: none"> • HV25_22 • HV25_33 • HV40_22R_TX • HV40_33R_TX • HV40_22_LV • HV40_33_LV • HV65_19.1TX <p>HTH0001 (Denso tape) removed from:</p> <ul style="list-style-type: none"> • HV25_22 • HV25_33 • HV40_22R_TX • HV40_33R_TX • HV40_22_LV • HV40_33_LV <p>XT0205 replaced with XT0208 in HV25_33</p> <p>FL7690 removed from</p> <ul style="list-style-type: none"> • HV40_22R_TX • HV40_33R_TX <p>GF1539 replaced with GF1568 in HV51_25EDO</p>

PUBLIC

Date	Rev No.	Notes
		GF1541 replaced with GF1570 in HV51_40EDO CB0240 replaced with CB3025 in HV65_19.1TX GS0310 replaced with GS0319 in HV65_19.1TX