



DISTRIBUTION DESIGN

CATALOGUE

Section 05

AB – Low Voltage ABC

HPC-1DC-07-0005-2014

For application to
Horizon Power
Electricity Distribution Networks

Document Control		
Revision 7 Author	Name: Mondli Moyo Position: Standards Engineer	
Reviewed	Name: Andrew Nguyen Position: Standards Engineer	
Endorsed by	Name: Johnathan Choi Position: Standards & Plant Manager	
Approved By	Name: Victor Cheng Position: Manager Engineering and Project Services	
Date Created/Last Updated	29 August 2022	
Review Frequency **	Annually	
Next Review Date **	29 August 2023	

*** Frequency period is dependent upon circumstances– maximum is 5 years from last issue, review, or revision whichever is the latest. If left blank, the default shall be 1 year unless otherwise specified.*

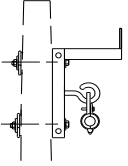
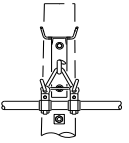
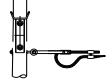
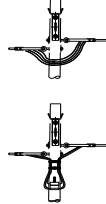
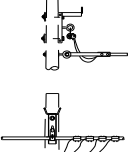
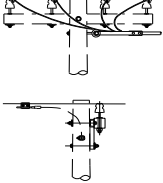
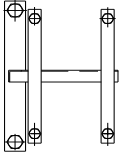
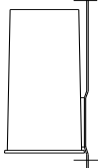
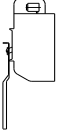
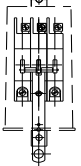
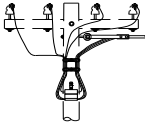
Revision Control		
Revision	Date	Description
7	29/08/2022	No update required

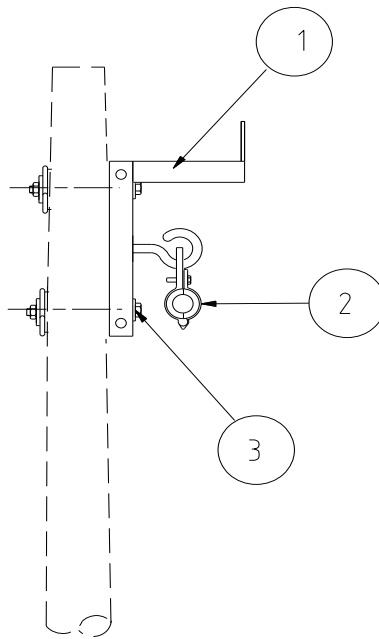
Refer to Appendix A for Full Revision History.

STAKEHOLDERS The following positions shall be consulted if an update or review is required:	NOTIFICATION LIST The following positions shall be notified of any authorised change:
Asset Managers	Field Practice Coordinators
Works Delivery Managers	Logistics Managers
Asset Service Delivery Managers	EPCM Contracts Manager

LOW VOLTAGE ABC LIST

CU	CU DESCRIPTION
AB1_95	Intermediate and angle 0 to 25_95
AB1_150	Intermediate and angle 0 to 25_150
AB2_95	Angle 26 to 50 _95
AB2_150	Angle 26 to 50 _150
AB3_95	Termination_95
AB3_150	Termination_150
AB4_95	Inline strain_95
AB4_150	Inline strain_150
AB4_95F	Inline strain with FSDO
AB4_150F	Inline strain with FSDO
AB5_95	Tee off _95
AB5_150	Tee off _150
AB6_95AL	Tee off-LV bare_aluminium to ABC 95
AB6_95CU	Tee off-LV bare_copper to ABC 95
AB6_150AL	Tee off-LV bare_aluminium to ABC 150
AB6_150CU	Tee off-LV bare_copper to ABC 150
AB11	Circuit breaker mounting bracket
AB12	Circuit breaker box
AB13	Circuit breaker 1 phase
AB14	Circuit breaker 3 phase with box
AB18_95AL	Tee off-LV bare_aluminium to fused ABC 95
AB18_95CU	Tee off-LV bare_copper to fused ABC 95
AB18_150AL	Tee off-LV bare_aluminium to fused ABC 150
AB18_150CU	Tee off-LV bare_copper to fused ABC 150

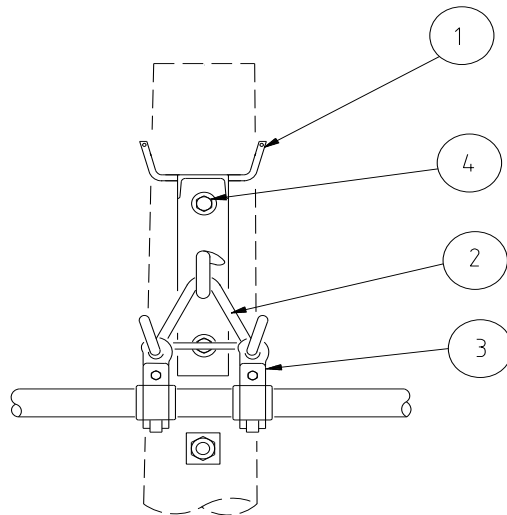
 <p>INTERMEDIATE AND ANGLE 0 TO 25 AB 1</p>	 <p>ANGLE 26 TO 50 AB 2</p>	 <p>TERMINATION AB 3</p>	 <p>INLINE STRAIN AB 4</p>	
 <p>TEE OFF AB 5</p>	 <p>TEE OFF LV BARE AB 6</p>	 <p>CIRCUIT BREAKER BRACKET AB 11</p>	 <p>CIRCUIT BREAKER BOX AB 12</p>	
 <p>CIRCUIT BREAKER 1 PHASE AB 13</p>	 <p>CIRCUIT BREAKER 3 PHASE AB 14</p>	 <p>TEE OFF LV BARE FUSED LVABC AB 18</p>		
<p>HORIZON POWER</p> <p>DISTRIBUTION DESIGN CATALOGUE</p> <p>OPERATIONS DIVISION</p>	<p>COMPATIBLE UNIT</p>	<table border="1"> <tr> <td>REVISION 3</td> <td>DATE FEB 2020</td> </tr> </table>	REVISION 3	DATE FEB 2020
REVISION 3	DATE FEB 2020			
<p>AB COMPATABLE UNITS</p>	<p>DRAWING No AB IN</p>			



<p>HORIZON POWER</p> <p>DISTRIBUTION DESIGN CATALOGUE</p> <p>OPERATIONS DIVISION</p>	COMPATIBLE UNIT	REVISION 2	DATE 06/02/20
	INTERMEDIATE & ANGLE 0 - 25 DEGREES	DRAWING No AB1	

CU		CU DESCRIPTION			
AB1_95		Intermediate and angle 0 to 25_95			
ITEM NUMBER	STOCK NUMBER	DESCRIPTION	QTY RQD	UNIT OF MEASURE	REMARKS
1	CB3020	Universal bracket	1	ea	
2	CC0101	Suspension clamp, 95 ABC	1	ea	
3	AB6733	Pole bolt M16 x 400 mm long with nut and washers	2	ea	

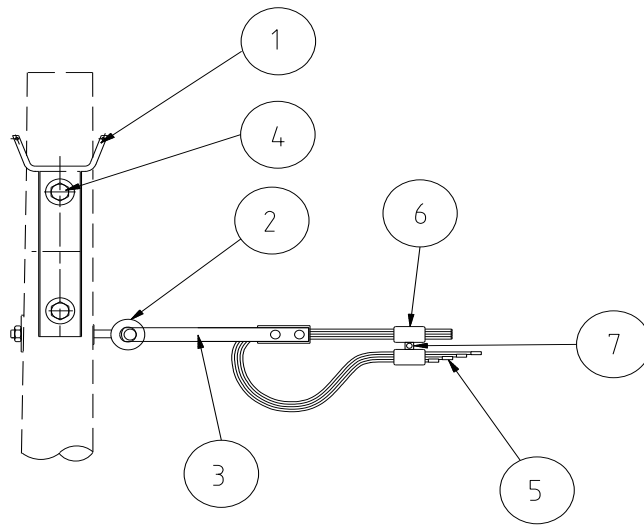
CU		CU DESCRIPTION			
AB1_150		Intermediate and angle 0 to 25_150			
ITEM NUMBER	STOCK NUMBER	DESCRIPTION	QTY RQD	UNIT OF MEASURE	REMARKS
1	CB3020	Universal bracket	1	ea	
2	CC0110	Suspension clamp, 150 ABC	1	ea	
3	AB6733	Pole bolt M16 x 400 mm long with nut and washers	2	ea	



<p>HORIZON POWER</p> <p>DISTRIBUTION DESIGN CATALOGUE</p> <p>OPERATIONS DIVISION</p>	COMPATIBLE UNIT	REVISION 2	DATE 06/02/20
	ANGLE 26 - 50 DEGREES	DRAWING No. AB2	

CU		CU DESCRIPTION			
AB2_95		Angle 26 to 50_95			
ITEM NUMBER	STOCK NUMBER	DESCRIPTION	QTY RQD	UNIT OF MEASURE	REMARKS
1	CB3020	Universal bracket	1	ea	
2	CC0090	Hanger yoke	1	ea	
3	CC0101	Suspension clamp, 95 ABC	2	ea	
4	AB6733	Pole bolt M16 x 400 mm long with nut and washers	2	ea	

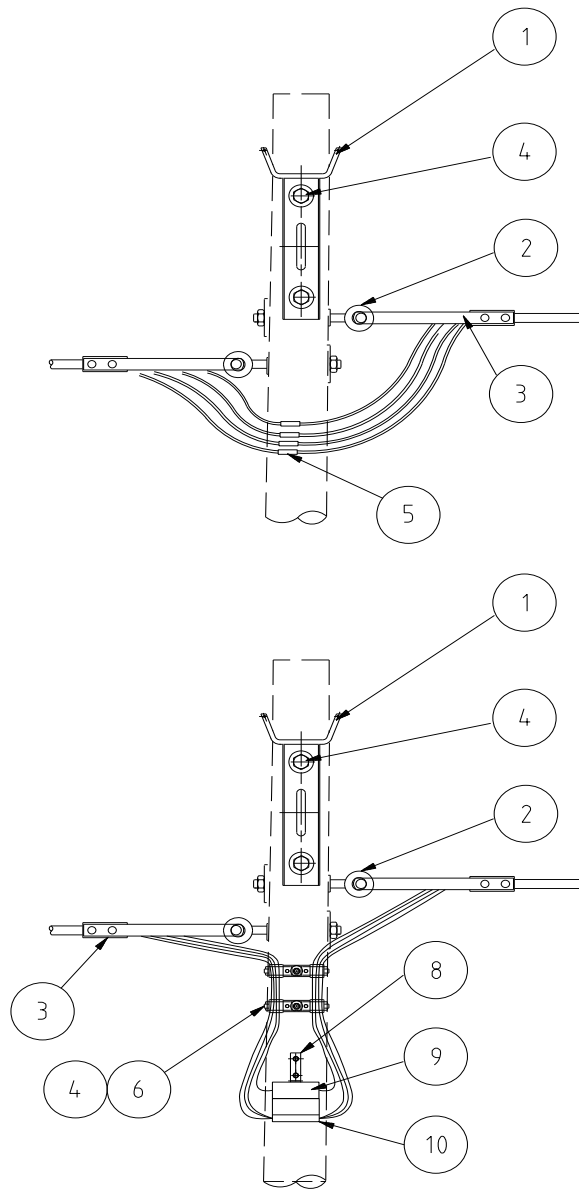
CU		CU DESCRIPTION			
AB2_150		Angle 26 to 50_150			
ITEM NUMBER	STOCK NUMBER	DESCRIPTION	QTY RQD	UNIT OF MEASURE	REMARKS
1	CB3020	Universal bracket	1	ea	
2	CC0090	Hanger yoke	1	ea	
3	CC0110	Suspension clamp, 150 ABC	2	ea	
4	AB6733	Pole bolt M16 x 400 mm long with nut and washers	2	ea	



<p>HORIZON POWER</p> <p>DISTRIBUTION DESIGN CATALOGUE</p> <p>OPERATIONS DIVISION</p>	COMPATIBLE UNIT	REVISION 3	DATE FEB 2020
	TERMINATION	DRAWING No AB3	

CU		CU DESCRIPTION			
AB3_95		Termination_95			
ITEM NUMBER	STOCK NUMBER	DESCRIPTION	QTY RQD	UNIT OF MEASURE	REMARKS
1	CB3020	Universal bracket	1	ea	
2	AB6024	Eyebolt-16dia x 350 mm long with nut and washer	1	ea	
3	CC0100	Strain clamp, 95-150 ABC	1	ea	
4	AB6733	Pole bolt M16 x 400 mm long with nut and washers	2	ea	
5	CJ0063	End caps push on 95mm ²	4	ea	
6	CC0101	Suspension clamp, 95 ABC	2	ea	
7	AB4600	Bolt, Machine; M16 X 50mm Class 4.6 Galv with Nut	1	ea	

CU		CU DESCRIPTION			
AB3_150		Termination_150			
ITEM NUMBER	STOCK NUMBER	DESCRIPTION	QTY RQD	UNIT OF MEASURE	REMARKS
1	CB3020	Universal bracket	1	ea	
2	AB6024	Eyebolt-16dia x 350 mm long with nut and washer	1	ea	
3	CC0100	Strain clamp, 95-150 ABC	1	ea	
4	AB6733	Pole bolt M16 x 400 mm long with nut and washers	2	ea	
5	CJ0062	End caps push on 150mm ²	4	ea	
6	CC0110	Suspension clamp, 150 ABC	2	ea	
7	AB4600	Bolt, Machine; M16 X 50mm Class 4.6 Galv with Nut	1	ea	



<p>HORIZON POWER</p> <p>DISTRIBUTION DESIGN CATALOGUE</p> <p>OPERATIONS DIVISION</p>	COMPATIBLE UNIT	REVISION 3	DATE FEB 2020
	<p>INLINE STRAIN WITHOUT / WITH FSDO</p>	DRAWING No. AB4	

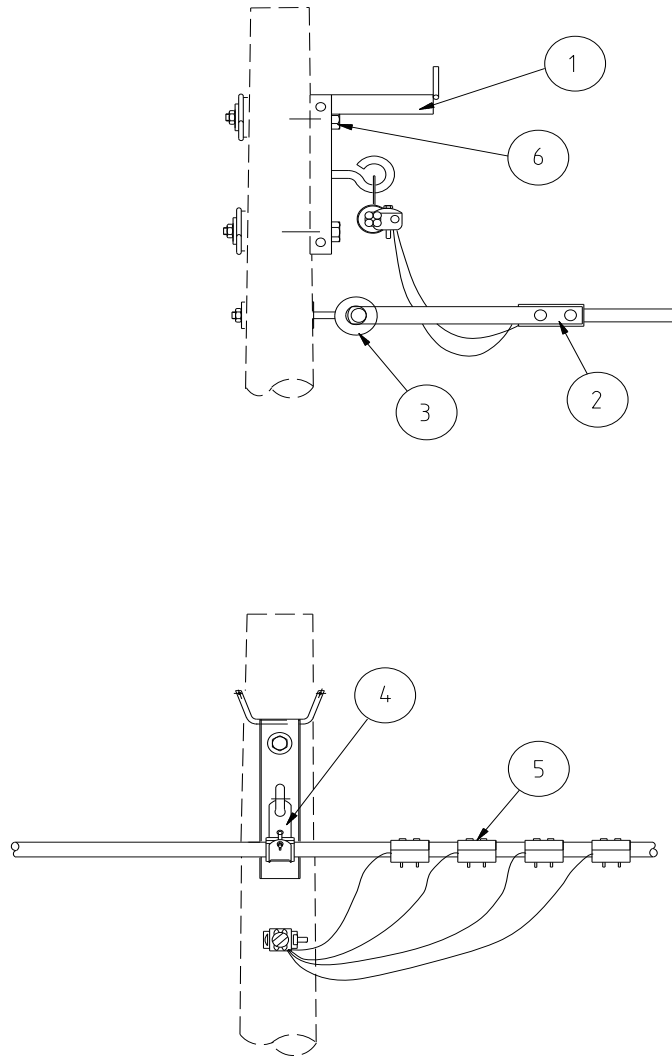
CU		CU DESCRIPTION			
AB4_95		Inline strain_95			
ITEM NUMBER	STOCK NUMBER	DESCRIPTION	QTY RQD	UNIT OF MEASURE	REMARKS
1	CB3020	Universal bracket	1	ea	
2	AB6024	Eyebolt-16dia x 350 mm long with nut and washer	2	ea	
3	CC0100	Strain clamp, 95-150 ABC	2	ea	
4	AB6733	Pole bolt M16 x 400 mm long with nut and washers	2	ea	
5	CJ0491	Full tension sleeve – 95 ABC	4	ea	

CU		CU DESCRIPTION			
AB4_150		Inline strain_150			
ITEM NUMBER	STOCK NUMBER	DESCRIPTION	QTY RQD	UNIT OF MEASURE	REMARKS
1	CB3020	Universal bracket	1	ea	
2	AB6024	Eyebolt-16dia x 350 mm long with nut and washer	2	ea	
3	CC0100	Strain clamp, 95-150 ABC	2	ea	
4	AB6733	Pole bolt M16 x 400 mm long with nut and washers	2	ea	
5	CJ0490	Full tension sleeve – 150 ABC	4	ea	

CU		CU DESCRIPTION			
AB4_95F		Inline strain_95 with FSDO			
ITEM NUMBER	STOCK NUMBER	DESCRIPTION	QTY RQD	UNIT OF MEASURE	REMARKS
1	CB3020	Universal bracket	1	ea	
2	AB6024	Eyebolt-16dia x 350 mm long with nut and washer	2	ea	
3	CC0100	Strain clamp, 95-150 ABC	2	ea	
4	AB6733	Pole bolt M16 x 400 mm long with nut and washers	2	ea	
6	CC0101	Suspension clamp, 95 ABC	4	ea	
7	CB3055	Transformer harness support bracket	2	ea	
7	N/A	Bandit Strap (19 mm) (not included in CU)	-	N/A	Truck item
8	AB6736	Pole bolt M12 x 400 mm long with nut and washers	2	ea	

CU		CU DESCRIPTION			
9	GS0109	Neutral Block	1	ea	
10	GS0111	Fuse disconnecter (Rated 400A)	1	ea	

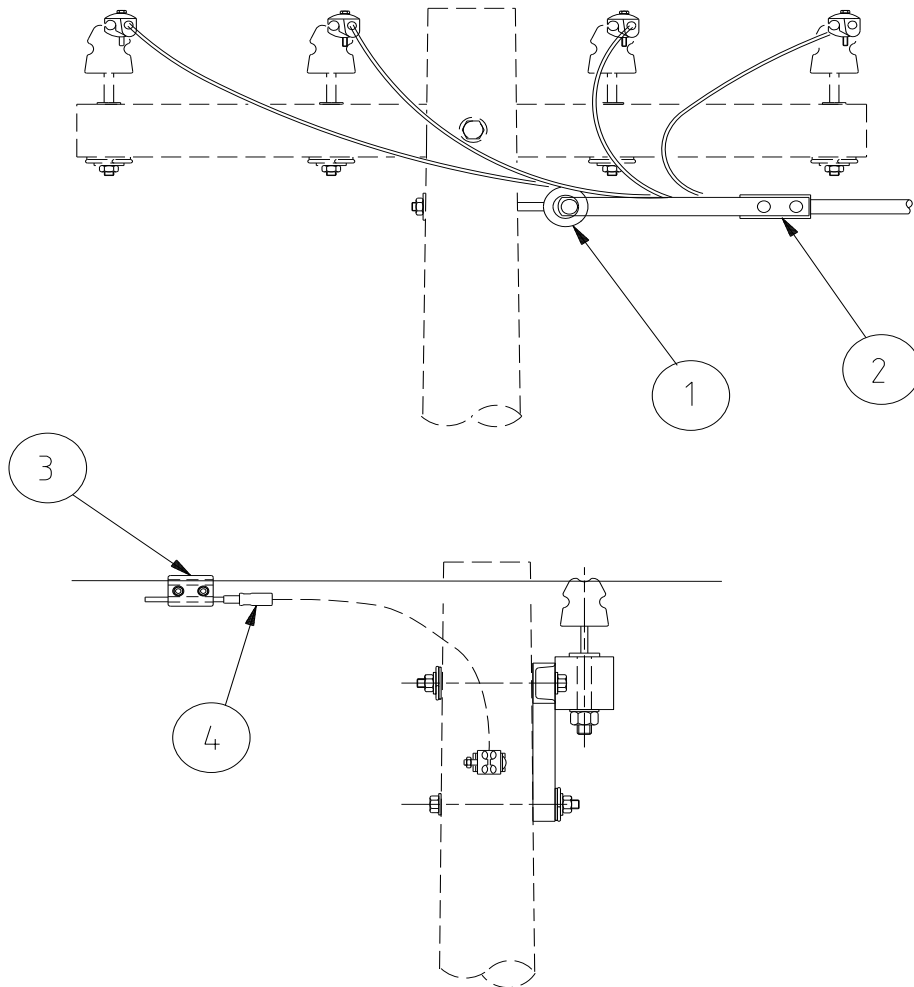
CU		CU DESCRIPTION			
AB4_150F		Inline strain_150 with FSDO			
ITEM NUMBER	STOCK NUMBER	DESCRIPTION	QTY RQD	UNIT OF MEASURE	REMARKS
1	CB3020	Universal bracket	1	ea	
2	AB6024	Eyebolt-16dia x 350 mm long with nut and washer	2	ea	
3	CC0100	Strain clamp, 95-150 ABC	2	ea	
4	AB6733	Pole bolt M16 x 400 mm long with nut and washers	2	ea	
6	CC0110	Suspension clamp, 150 ABC	4	ea	
7	CB3055	Transformer harness support bracket	2	ea	
7	N/A	Bandit Strap (19 mm) (not included in CU)	-	N/A	Truck item
8	AB6736	Pole bolt M12 x 400 mm long with nut and washers	2	ea	
9	GS0109	Neutral Block	1	ea	
10	GS0111	Fuse disconnecter (Rated 400A)	1	ea	



<p>HORIZON POWER</p> <p>DISTRIBUTION DESIGN CATALOGUE</p> <p>OPERATIONS DIVISION</p>	COMPATIBLE UNIT	REVISION 3	DATE FEB 2020
	TEE OFF	DRAWING No. AB5	

CU		CU DESCRIPTION			
AB5_95		Tee off_95			
ITEM NUMBER	STOCK NUMBER	DESCRIPTION	QTY RQD	UNIT OF MEASURE	REMARKS
1	CB3020	Universal bracket	1	ea	
2	CC0100	Strain clamp, 95-150 ABC	1	ea	
3	AB6024	Eyebolt - 16 dia x 350 mm long with nut and washer	1	ea	
4	CC0101	Suspension clamp, 95 ABC	1	ea	
5	CC0080	Insulation piercing clamp, 95 ABC	4	ea	
6	AB6733	Pole bolt M16 x 400 mm long with nut and washers	2	ea	

CU		CU DESCRIPTION			
AB5_150		Tee off_150			
ITEM NUMBER	STOCK NUMBER	DESCRIPTION	QTY RQD	UNIT OF MEASURE	REMARKS
1	CB3020	Universal bracket	1	ea	
2	CC0100	Strain clamp, 95-150 ABC	1	ea	
3	AB6024	Eyebolt - 16 dia x 350 mm long with nut and washer	1	ea	
4	CC0110	Suspension clamp, 150 ABC	1	ea	
5	CC0081	Insulation piercing clamp, 150 ABC	4	ea	
6	AB6733	Pole bolt M16 x 400 mm long with nut and washers	2	ea	



<p>HORIZON POWER</p> <p>DISTRIBUTION DESIGN CATALOGUE</p> <p>OPERATIONS DIVISION</p>	COMPATIBLE UNIT	REVISION 3	DATE FEB 2020
	TEE OFF LV BARE TO ABC	DRAWING No. AB6	

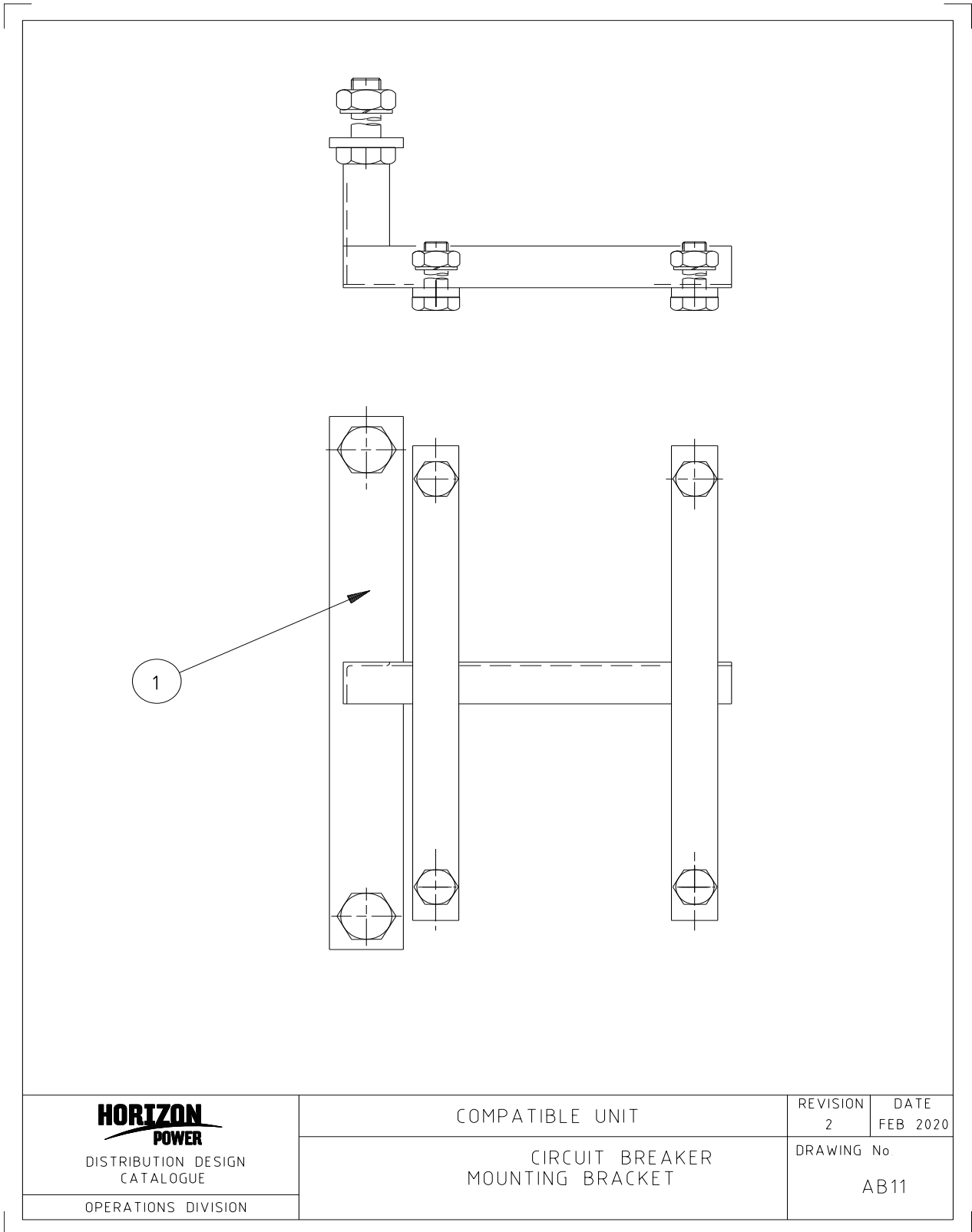
CU		CU DESCRIPTION			
AB6_95AL		Tee off-LV bare_aluminium to ABC 95			
ITEM NUMBER	STOCK NUMBER	DESCRIPTION	QTY RQD	UNIT OF MEASURE	REMARKS
1	AB6024	Eyebolt - 16 dia x 350 mm long with nut and washer	1	ea	
2	CC0100	Strain clamp, 95-150 ABC	1	ea	
3	CC0138	Parallel-groove clamp Al-Al	4	ea	
4	CJ0494	Splice 95 ABC with Al tail	4	ea	

CU		CU DESCRIPTION			
AB6_95CU		Tee off-LV bare_copper to ABC 95			
ITEM NUMBER	STOCK NUMBER	DESCRIPTION	QTY RQD	UNIT OF MEASURE	REMARKS
1	AB6024	Eyebolt - 16 dia x 350 mm long with nut and washer	1	ea	
2	CC0100	Strain clamp, 95-150 ABC	1	ea	
3	CC0130	Parallel-groove clamp Cu-Cu	8	ea	
4	CJ0492	Splice 95 ABC with Cu tail	4	ea	

CU		CU DESCRIPTION			
AB6_150AL		Tee off-LV bare_aluminium to ABC 150			
ITEM NUMBER	STOCK NUMBER	DESCRIPTION	QTY RQD	UNIT OF MEASURE	REMARKS
1	AB6024	Eyebolt - 16 dia x 350 mm long with nut and washer	1	ea	
2	CC0100	Strain clamp, 95-150 ABC	1	ea	
3	CC0138	Parallel-groove clamp Al-Al	4	ea	
4	CJ0496	Splice 150 ABC with Al tail	4	ea	

CU		CU DESCRIPTION			
AB6_150CU		Tee off-LV bare_copper to ABC 150			
ITEM NUMBER	STOCK NUMBER	DESCRIPTION	QTY RQD	UNIT OF MEASURE	REMARKS
1	AB6024	Eyebolt - 16 dia x 350 mm long with nut and washer	1	ea	
2	CC0100	Strain clamp, 95-150 ABC	1	ea	
3	CC0130	Parallel-groove clamp Cu-Cu	8	ea	

CU		CU DESCRIPTION			
4	CJ0493	Splice 150 ABC with Cu tail	4	ea	

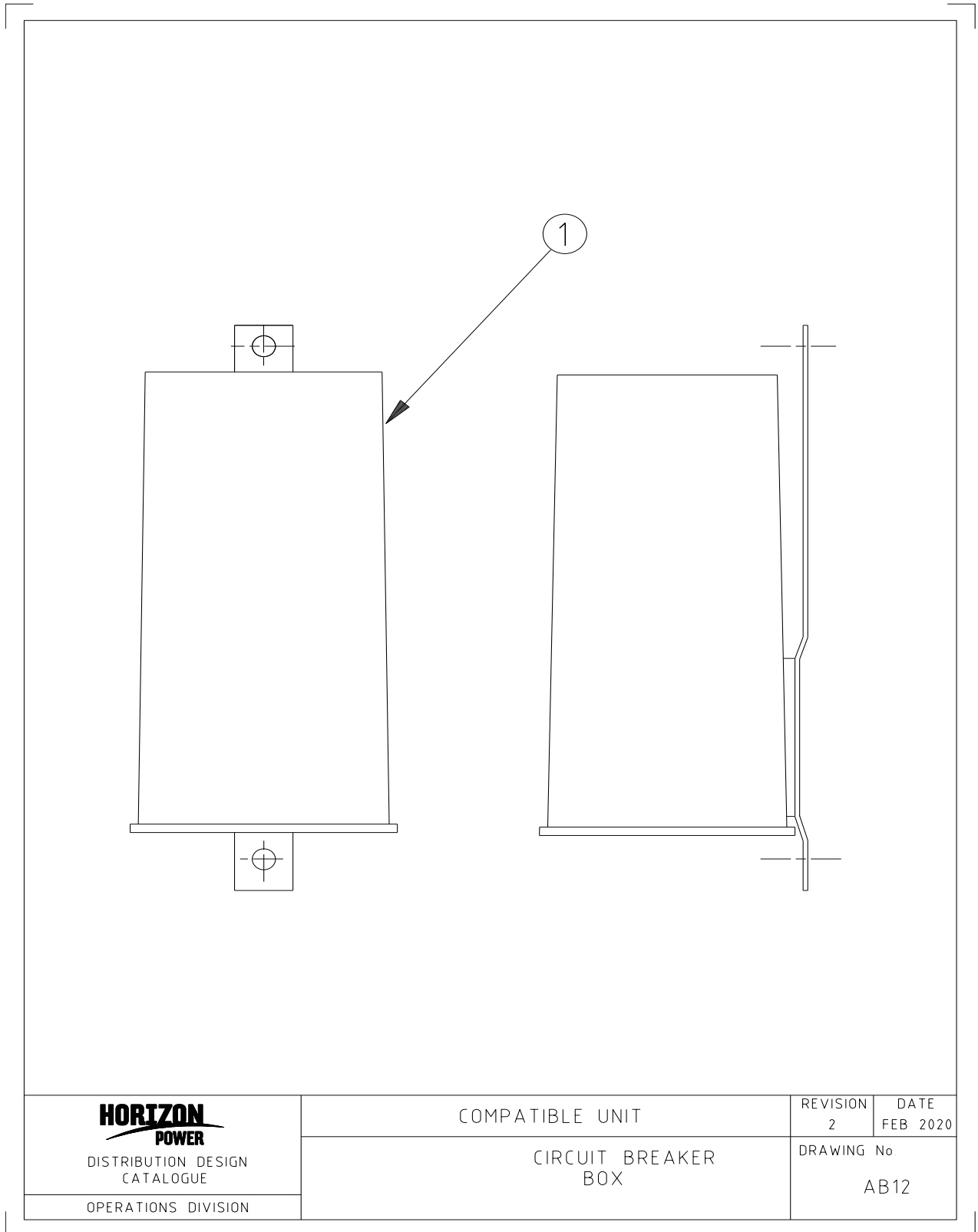


HORIZON
POWER
DISTRIBUTION DESIGN
CATALOGUE
OPERATIONS DIVISION

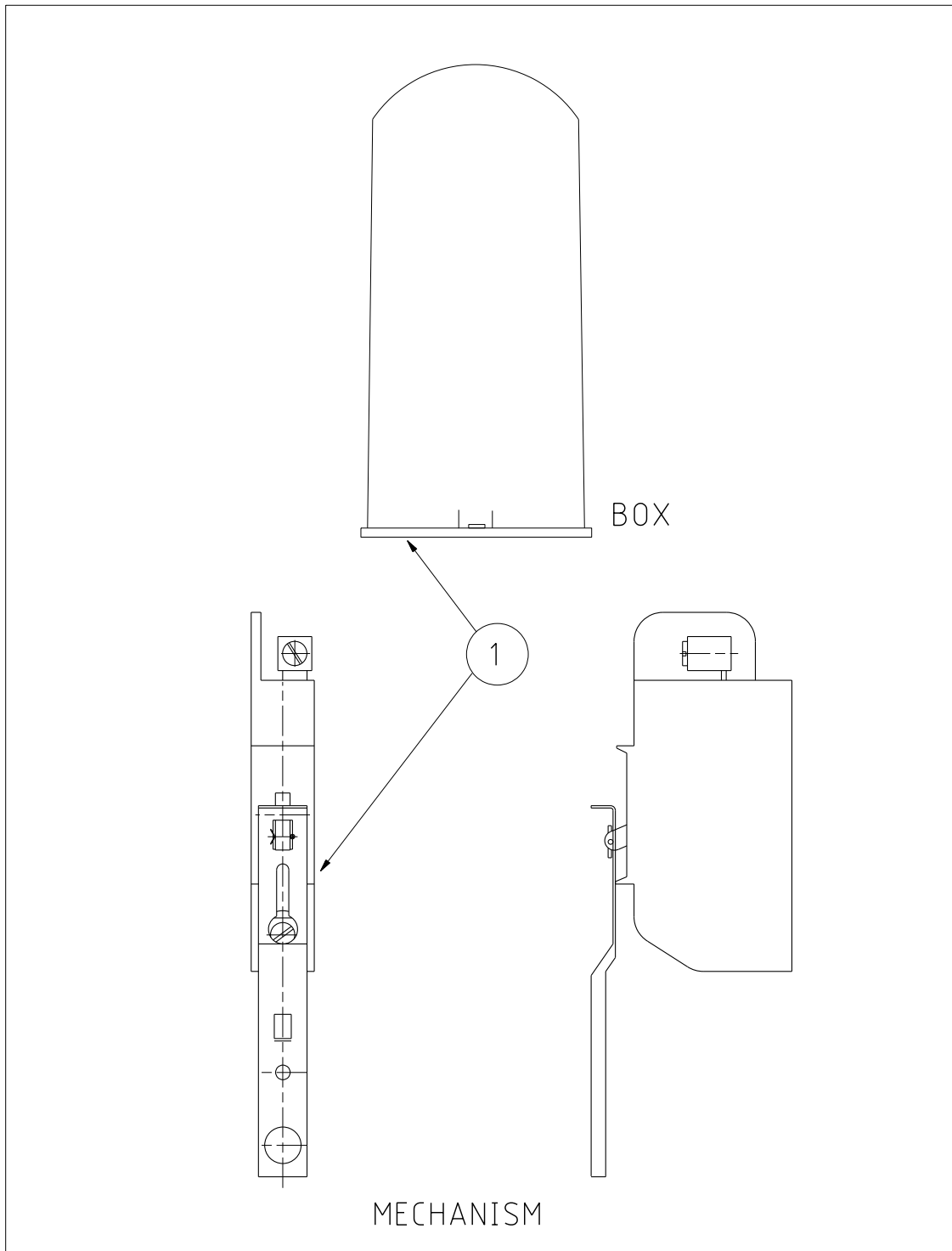
COMPATIBLE UNIT
CIRCUIT BREAKER
MOUNTING BRACKET

REVISION 2	DATE FEB 2020
DRAWING No AB11	

CU		CU DESCRIPTION			
AB11		Circuit breaker mounting bracket			
ITEM NUMBER	STOCK NUMBER	DESCRIPTION	QTY RQD	UNIT OF MEASURE	REMARKS
1	CR1026	Circuit breaker mounting bracket with nuts and bolts	1	ea	

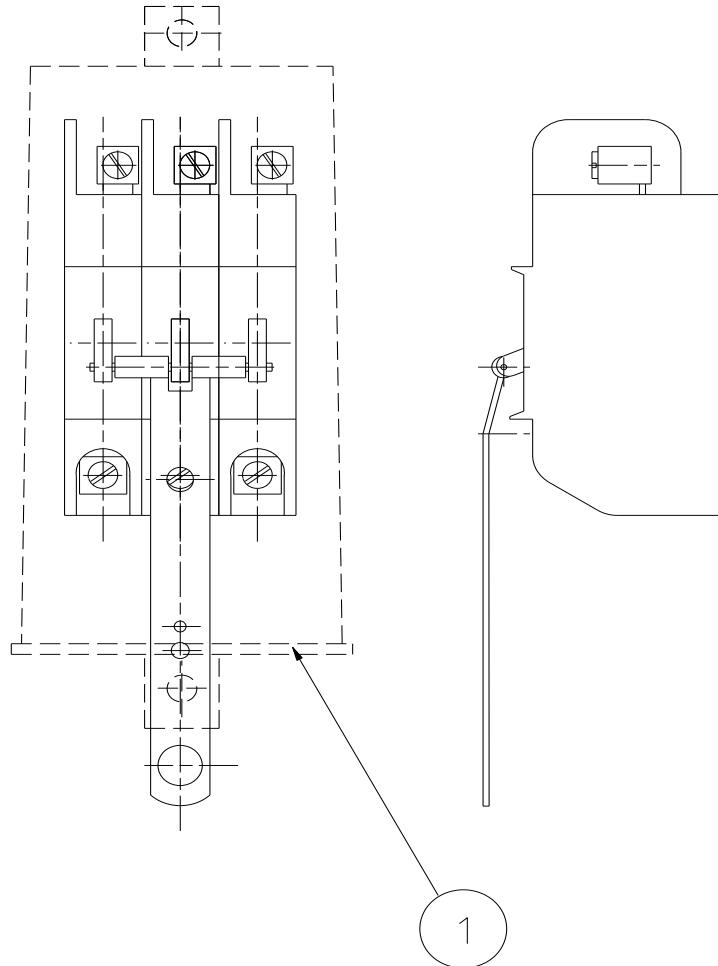


CU		CU DESCRIPTION			
AB12		Circuit breaker box			
ITEM NUMBER	STOCK NUMBER	DESCRIPTION	QTY RQD	UNIT OF MEASURE	REMARKS
1	FB0602	Circuit breaker box	1	ea	



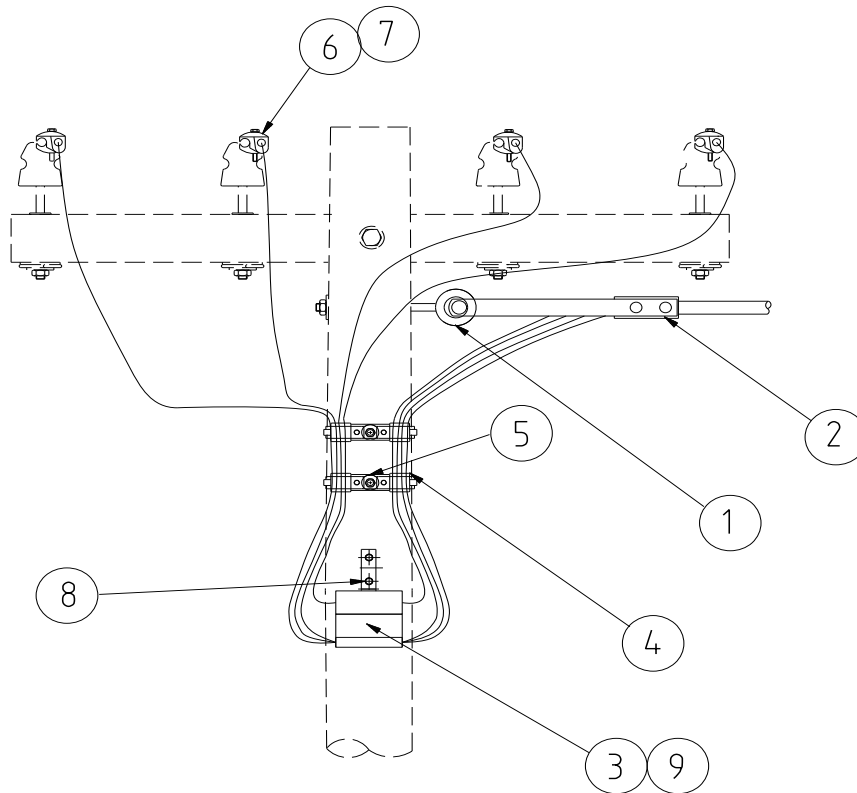
<p>HORIZON POWER</p> <p>DISTRIBUTION DESIGN CATALOGUE</p> <p>OPERATIONS DIVISION</p>	COMPATIBLE UNIT	REVISION 2	DATE 18/06/2020
	1 PHASE CIRCUIT BREAKER WITH BOX	DRAWING No. AB13	

CU		CU DESCRIPTION			
AB13		Circuit breaker 1 phase with box			
ITEM NUMBER	STOCK NUMBER	DESCRIPTION	QTY RQD	UNIT OF MEASURE	REMARKS
1	GZ0016	Circuit Breaker, type SF MCB 1PH 50A 6kA C1, (Including pole mounting enclosure-SPB1)	1	ea	



<p>HORIZON POWER</p> <p>DISTRIBUTION DESIGN CATALOGUE</p> <p>OPERATIONS DIVISION</p>	COMPATIBLE UNIT	REVISION 2	DATE FEB 2020
	3 PHASE WITH BOX CIRCUIT BREAKER	DRAWING No AB14	

CU		CU DESCRIPTION			
AB14		Circuit breaker 3 phase with box			
ITEM NUMBER	STOCK NUMBER	DESCRIPTION	QTY RQD	UNIT OF MEASURE	REMARKS
1	GZ0017	Circuit Breaker, type SF MCB 3PH 50A 6kA C1, (Including pole mounting enclosure-SPB1)	1	ea	



<p>HORIZON POWER</p> <p>DISTRIBUTION DESIGN CATALOGUE</p> <p>OPERATIONS DIVISION</p>	COMPATIBLE UNIT	REVISION 3	DATE FEB 2020
	TEE OFF LV BARE TO FUSED ABC	DRAWING No AB18	

CU	CU DESCRIPTION
AB18_95AL	Tee off-LV bare_alumin to fused ABC 95

ITEM NUMBER	STOCK NUMBER	DESCRIPTION	QTY RQD	UNIT OF MEASURE	REMARKS
1	AB6024	Eyebolt - 16 dia x 350 mm long with nut	1	ea	
2	CC0100	Strain clamp, 95-150 ABC	1	ea	
3	GS0111	Fuse disconnecter (Rated 400A)	1	ea	
3	GS0109	Neutral Block	1	ea	
4	CC0101	Suspension clamp, 95 ABC	4	ea	
5	CB3055	Transformer harness support bracket	2	ea	
5	N/A	Bandit Strap (19 mm) (not included in CU)	-	N/A	Truck item
6	CJ0494	Splice 95 ABC with Al tail	4	ea	
7	CC0138	Parallel-groove clamp Al-Al	4	ea	
8	AB6733	Pole bolt M16 x 400 mm long with nut and washers	2	ea	
9	GF1096	200 Amps fuse link	3	ea	

CU	CU DESCRIPTION
AB18_95CU	Tee off-LV bare_copper to fused ABC 95

ITEM NUMBER	STOCK NUMBER	DESCRIPTION	QTY RQD	UNIT OF MEASURE	REMARKS
1	AB6024	Eyebolt - 16 dia x 350 mm long with nut	1	ea	
2	CC0100	Strain clamp, 95-150 ABC	1	ea	
3	GS0111	Fuse disconnecter (Rated 400A)	1	ea	
3	GS0109	Neutral Block	1	ea	
4	CC0101	Suspension clamp, 95 ABC	4	ea	
5	CB3055	Transformer harness support bracket	2	ea	
5	N/A	Bandit Strap (19 mm) (not included in CU)	-	N/A	Truck item
6	CJ0492	Splice 95 ABC with Cu tail	4	ea	
7	CC0130	Parallel-groove clamp Cu-Cu	8	ea	
8	AB6733	Pole bolt M16 x 400 mm long with nut and washers	2	ea	
9	GF1096	200 Amps fuse link	3	ea	

CU	CU DESCRIPTION
AB18_150AL	Tee off-LV bare_alumin to fused ABC 150

ITEM NUMBER	STOCK NUMBER	DESCRIPTION	QTY RQD	UNIT OF MEASURE	REMARKS
1	AB6024	Eyebolt - 16 dia x 350 mm long with nut	1	ea	
2	CC0100	Strain clamp, 95-150 ABC	1	ea	
3	GS0111	Fuse disconnecter (Rated 400A)	1	ea	
3	GS0109	Neutral Block	1	ea	
4	CC0110	Suspension clamp, 150 ABC	4	ea	
5	CB3055	Transformer harness support bracket	2	ea	
5	N/A	Bandit Strap (19 mm) (not included in CU)	-	N/A	Truck item
6	CJ0496	Splice 150 ABC with Al tail	4	ea	
7	CC0138	Parallel-groove clamp Al-Al	4	ea	
8	AB6733	Pole bolt M16 x 400 mm long with nut and washers	2	ea	
9	GF1101	315 Amps fuse link	3	ea	

CU	CU DESCRIPTION
AB18_150CU	Tee off-LV bare_copper to fused ABC 150

ITEM NUMBER	STOCK NUMBER	DESCRIPTION	QTY RQD	UNIT OF MEASURE	REMARKS
1	AB6024	Eyebolt - 16 dia x 350 mm long with nut	1	ea	
2	CC0100	Strain clamp, 95-150 ABC	1	ea	
3	GS0111	Fuse disconnecter (Rated 400A)	1	ea	
3	GS0109	Neutral Block	1	ea	
4	CC0110	Suspension clamp, 150 ABC	4	ea	
5	CB3055	Transformer harness support bracket	2	ea	
5	N/A	Bandit Strap (19 mm) (not included in CU)	-	N/A	Truck item
6	CJ0493	Splice 150 ABC with Cu tail	4	ea	
7	CC0130	Parallel-groove clamp Cu-Cu	8	ea	
8	AB6733	Pole bolt M16 x 400 mm long with nut and washers	2	ea	
9	GF1101	315 Amps fuse link	3	ea	

APPENDIX A – REVISION INFORMATION

(Informative) Horizon Power has endeavoured to provide standards of the highest quality and would appreciate notification if any errors are found or even queries raised.

Each Standard makes use of its own comment sheet which is maintained throughout the life of the standard, which lists all comments made by stakeholders regarding the standard.

The document **DM# 2303931** can be used to record any errors or queries found in or pertaining to this standard, which can then be addressed whenever the standard gets reviewed.

Date	Rev No.	Notes
	0	Western Power Supplied
01/07/2009	1	Original Horizon Power issue
11/01/2012	2	Changes to Document Control
17/09/2013	3	Changes to Document Control and Drawings
21/01/2014	4	Change to Document format
14/09/2018	5	Update Stock number changes for AB3, AB4, AB5, AB6, AB18 FSDO options added for AB4. AB18 added. Band-it strap added to catalogue only for reference. Stock item descriptions updated for consistency
23/06/2020	6	AB3_95 List updated: Added CC0101 and AB4600. AB3_150 List updated: Added CC0110 and AB4600. AB13 Drawing updated with box.
29/08/2022	7	No Update required