

PROTECTED



DISTRIBUTION DESIGN

CATALOGUE

Section 10

HU – High Voltage Underground

HPC-1DC-07-0010-2014

For application to
Horizon Power
Electricity Distribution Networks

Document Control		
Revision 7 Author	Name: Erica Lee Position: Undergraduate Engineer	On behalf of
Reviewed	Name: Kai Chong Jee Position: Senior Standards & Plant Engineer	
Endorsed By	Name: Johnathan Choi Position: Standards and Plant Manager	
Approved By	Name: Victor Cheng Position: Manager Engineering and Project Services	
Date Created/Last Updated	9 th February 2024	
Review Frequency **	Annually	
Next Review Date **	9 th February 2025	

*** Frequency period is dependent upon circumstances– maximum is 5 years from last issue, review, or revision whichever is the latest. If left blank, the default shall be 1 year unless otherwise specified.*

Revision Control		
Revision	Date	Description
6	19/08/2022	Compatible Units Updates
7	9/02/2024	HU5, HU6, HU7. HU8, HU9, HU75, HU76, HU80 & HU81 – Concrete Pads HU59 & HU60 – 315kVA 500A fuses

Refer to Appendix A for Full Revision History.

STAKEHOLDERS The following positions shall be consulted if an update or review is required:	NOTIFICATION LIST The following positions shall be notified of any authorised change:
Assets Managers	Field Practice Coordinators
Works Delivery Managers	Logistics Managers
Asset Service Delivery Managers	EPCM Contracts Manager

HIGH VOLTAGE UNDERGROUND LIST

CU	CU DESCRIPTION
HU1_95	Straight joint – 25 to 95 1 x 1 core, 22 kV
HU1_240	Straight joint – 95 to 240 1 x 1 core, 22 kV
HU1_400	Straight joint – 240 to 400 1 x 1 core, 22 kV
HU2_95	Straight joint – 25 to 95 3 x 1 core, 22 kV
HU2_240	Straight joint – 95 to 240 3 x 1 core, 22 kV
HU2_400	Straight joint – 240 to 400 3 x 1 core, 22 kV
HU5_400	switchgear kiosk 3+0 – 185-400 mm ² cable, 22 kV
HU5_A400	Switchgear kiosk 3+0 – 185-400 mm ² cable, 22 kV - motorised
HU6_400	switchgear kiosk 2+1 – 185-400 mm ² cable, 22 kV
HU6_A400	switchgear kiosk 2+1 – 185-400 mm ² cable, 22 kV - motorised
HU7_400	switchgear kiosk 2+2 – 185-400 mm ² cable, 22 kV
HU7_A400	switchgear kiosk 2+2 – 185-400 mm ² cable, 22 kV - motorised
HU8_400	switchgear kiosk 3+1 – 185-400 mm ² cable, 22 kV
HU8_A400	switchgear kiosk 3+1 – 185-400 mm ² cable, 22 kV - motorised
HU9_400	switchgear kiosk 4+0 – 95-400 mm ² cable, 22 kV
HU9_A400	switchgear kiosk 4+0 – 95-400 mm ² cable, 22 kV - motorised
HU13_95	Straight joint – 35 to 95 1 x 1 core, 33 kV
HU13_300	Straight joint – 150 to 300 1 x 1 core, 33 kV
HU13_400	Straight joint – 240 to 400 1 x 1 core, 33 kV
HU14_95	Straight joint – 35 to 95 3 x 1 core, 33 kV
HU14_300	Straight joint – 150 to 300 3 x 1 core, 33 kV
HU14_400	Straight joint – 240 to 400 3 x 1 core, 33 kV
HU16	Cable Pole Termination – 400 - 3 x 1c 22 kV
HU16_11	Cable pole termination – 400 - 3 x 1c 11 kV
HU18	Cable pole termination –185-3 x 1c 22 kV
HU18_11	Cable pole termination –185-3 x 1c 11 kV
HU18_33	Cable pole termination –185-3 x 1c 33 kV
HU19	Cable pole termination –35-3 x 1c 22 kV
HU19_11	Cable pole termination –35-3 x 1c 11 kV
HU20	Cable pole termination –50-3 x 1c 33 kV
HU20_1P	Cable pole termination –50-1 x 1c 33 kV
HU21	Cable pole termination –240-3 x 1c 22 kV
HU22_400	switchgear 3+1 indoor extensible – 185-400 mm ² cable
HU22_A400	switchgear 3+1 indoor extensible – 185-400 mm ² cable - motorised
HU23_400	switchgear 2+1 indoor extensible – 185-400 mm ² cable
HU23_A400	Switchgear 2+1 indoor extensible – 185-400 mm ² cable – motorised
HU24_400	switchgear 2+2 indoor extensible – 185-400 mm ² cable
HU24_A400	switchgear 2+2 indoor extensible – 185-400 mm ² cable – motorised
HU25_2S_400	switchgear 2+3 indoor non extensible – 185-400 mm ² cable – non motorised

PROTECTED

CU	CU DESCRIPTION
HU25 3S 400	switchgear 3+2 indoor non extensible – 185-400 mm ² cable – non motorised
HU28	Transition joint – 50 pilswa to 35 xlpe -3 x 1c
HU29	Transition joint for 22 kV cable 185-240 pilcswa – 185-400 xlpe 3 x 1c
HU40 11	Metering unit 11 kV
HU40 22	Metering unit 22 kV
HU55 160 6	Fuse cartridge and fuse extender HRC 31.5 A 160 kVA / 6 kV
HU55 315 6	Fuse cartridge and fuse extender HRC 50 A 315 kVA / 6 kV
HU55 500 6	Fuse cartridge and fuse extender HRC 80 A 500 kVA / 6 kV
HU55 630 6	Fuse cartridge and fuse extender HRC 100 A 630 kVA / 6 kV
HU55 1000 6	Fuse cartridge and fuse extender HRC 125 A 1000 kVA / 6 kV
HU55 160 11	Fuse cartridge and fuse extender HRC 25 A 160 kVA / 11 kV HU55_
HU55 315 11	Fuse cartridge and fuse extender HRC 31.5 A 315 kVA / 11 kV
HU55 500 11	Fuse cartridge and fuse extender HRC 40 A 500 kVA / 11 kV
HU55 630 11	Fuse cartridge and fuse extender HRC 50 A 630 kVA / 11 kV
HU55 1000 11	Fuse cartridge and fuse extender HRC 80 A 1000 kVA / 11 kV
HU55 1500 11	Fuse cartridge and fuse extender HRC 125 A 1500 kVA / 11 kV
HU55 160 22	Fuse cartridge HRC 10 A 160 kVA / 22 kV
HU55 315 22	Fuse cartridge HRC 16 A 315 kVA / 22 kV
HU55 500 22	Fuse cartridge HRC 25 A 500 kVA / 22 kV
HU55 630 22	Fuse cartridge HRC 31.5 A 630 kVA / 22 kV
HU55 1000 22	Fuse cartridge HRC 40 A 1000 kVA / 22 kV
HU55 160 33	Fuse cartridge HRC 6.3 A 63 kVA & 160 kVA / 33 kV
HU55 315 33	Fuse cartridge HRC 16 A 315 kVA / 33 kV
HU55 500 33	Fuse cartridge HRC 20 A 500 kVA & 630 kVA / 33 kV
HU55 1000 33	Fuse cartridge HRC 40 A 1000 kVA / 33 kV
HU59 315 11	Non MPS District Inside 315/6-11 kV
HU59 630 11	Non MPS District Inside 630/6-11 kV
HU59 1000 11	Non MPS District Inside 1000/6-11 kV
HU59 315 22	Non MPS District Inside 315/22 kV
HU59 630 22	Non MPS District Inside 630/22 kV
HU59 1000 22	Non MPS District Inside 1000/22 kV
HU59 315 33	Non MPS District Inside 315/33 kV
HU59 630 33	Non MPS District Inside 630/33 kV
HU59 1000 33	Non MPS District Inside 1000/33 kV
HU59O 315 11	Non MPS District Outside 315/6-11 kV
HU59O 630 11	Non MPS District Outside 630/6-11 kV
HU59O 1000 1	Non MPS District Outside 1000/6-11 kV
HU59O 315 22	Non MPS District Outside 315/22 kV
HU59O 630 22	Non MPS District Outside 630/22 kV
HU59O 1000 2	Non MPS District Outside 1000/22 kV
HU59O 315 33	Non MPS District Outside 315/33 kV



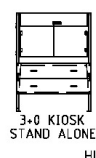
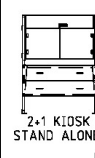
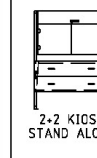
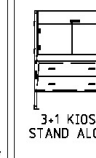
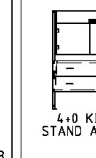


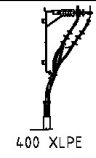
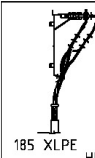
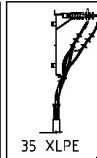
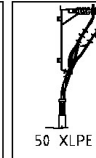
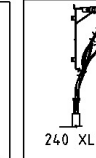
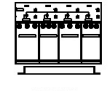

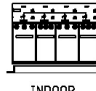

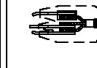

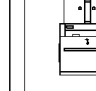
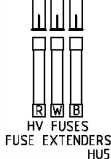
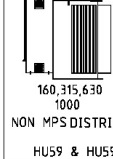
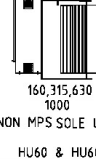
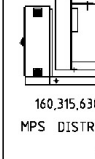
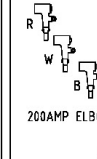
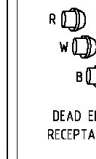
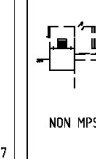
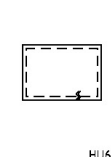
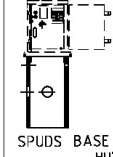
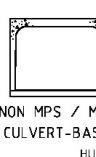
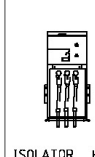
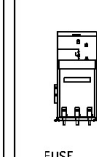
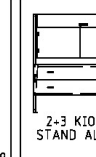
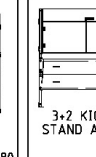
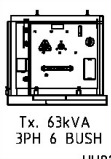
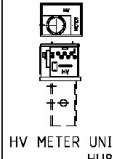

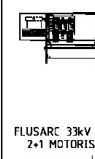

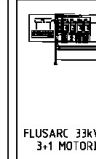
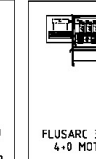

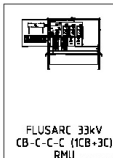
PROTECTED

CU	CU DESCRIPTION
HU590_630_33	Non MPS District Outside 630/33 kV
HU590_1000_3	Non MPS District Outside 1000/33 kV
HU60_315_11	Non MPS Sole Use Inside 315/6-11 kV
HU60_630_11	Non MPS Sole Use Inside 630/6-11 kV
HU60_1000_11	Non MPS Sole Use Inside 1000/6-11 kV
HU60_315_22	Non MPS Sole Use Inside 315/22 kV
HU60_630_22	Non MPS Sole Use Inside 630/22 kV
HU60_1000_22	Non MPS Sole Use Inside 1000/22 kV
HU60_315_33	Non MPS Sole Use Inside 315/33 kV
HU60_630_33	Non MPS Sole Use Inside 630/33 kV
HU60_1000_33	Non MPS Sole Use Inside 1000/33 kV
HU60O_315_11	Non MPS Sole Use Outside 315/6-11 kV
HU60O_630_11	Non MPS Sole Use Outside 630/6-11 kV
HU60O_1000_11	Non MPS Sole Use Outside 1000/6-11 kV
HU60O_315_22	Non MPS Sole Use Outside 315/22 kV
HU60O_630_22	Non MPS Sole Use Outside 630/22 kV
HU60O_1000_2	Non MPS Sole Use Outside 1000/22 kV
HU60O_315_33	Non MPS Sole Use Outside 315/33 kV
HU60O_630_33	Non MPS Sole Use Outside 630/33 kV
HU60O_1000_3	Non MPS Sole Use Outside 1000/33 kV
HU61_315_11	MPS 315 kVA / 6-11 kV
HU61_630_11	MPS 630 kVA / 6-11 kV
HU61_315_22	MPS 315 kVA / 22 kV
HU61_630_22	MPS 630 kVA / 22 kV
HU61_315_33	MPS 315 kVA/33 kV
HU61_630_33	MPS 630 kVA/33 kV
HU66_22KV	Elbow 22 kV / 200 A non load break x 3
HU66_22S	Elbow 22 kV / 200 A non load break x 1
HU66_33KV	Elbow 33 kV / 200 A non load break x 3
HU66_33S	Elbow 33 kV / 200 A non load break x 1
HU67_22	Dead end receptacle 22 kV x 3
HU67_22S	Dead end receptacle 22 kV x 1
HU67_33	Dead end receptacle 33 kV x 3
HU67_33S	Dead end receptacle 33 kV x 1
HU68	Non MPS transformer cable guard
HU68_33	Non MPS transformer cable guard
HU69_25	Grading ring, bare copper 25m length
HU69_35	Grading ring, bare copper 35m length
HU69_45	Grading ring, bare copper 45m length
HU75	SPUDS transformer base pipe
HU76	Non MPS & MPS tx culvert & base

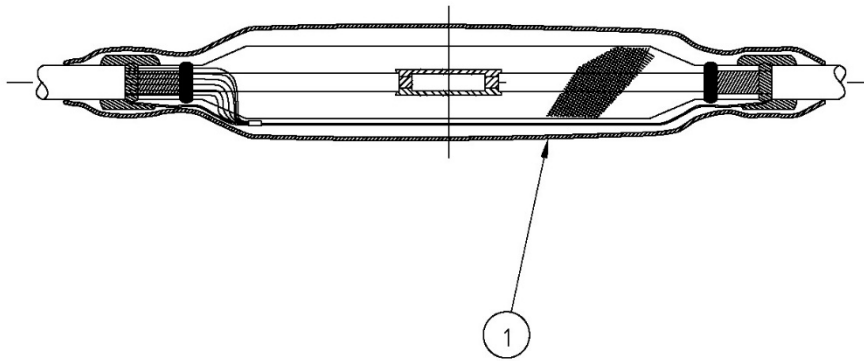
PROTECTED

CU	CU DESCRIPTION
HU78	Extensible switch disconnecter
HU78 A	Extensible switch disconnecter - motorised
HU79	Extensible fuse switch
HU80 95	Switchgear kiosk 2+3 – 95 mm cable, 22 kV
HU80 400	Switchgear kiosk 2+3 – 185-400 mm ² cable, 22 kV
HU81 95	Switchgear kiosk 3+2 – 95 mm ² cable, 22 kV
HU81 400	Switchgear kiosk 3+2 – 185-400 mm ² cable, 22 kV
HU82 63 11	Tx 63kVA / 6-11 kV 3ph 6 bushing
HU82 63 22	Tx 63kVA / 22kV 3ph 6 bushing
HU82 63 33	Tx 63 kVA / 33kV 3ph 6 bushing
HU84 11 95	11 kV groundmount metering – 95 mm ² cable
HU84 11 400	11 kV groundmount metering – 185-400 mm ² cable
HU84 22 95	22 kV groundmount metering – 95 mm ² cable
HU84 22 400	22 kV groundmount metering – 185-400 mm ² cable
HU84 33 95	33 kV groundmount metering – 95 mm ² cable
HU84 33 400	33 kV groundmount metering – 185-400 mm ² cable
HU100 33	Flusarc switchgear kiosk 3+0 – 185-300 mm ² cable, 33 kV
HU101 33	Flusarc switchgear kiosk 2+1 – 185-300 mm ² cable, 33 kV
HU102 33	Flusarc switchgear kiosk 2+2 – 185-300 mm ² cable, 33 kV
HU103 33	Flusarc switchgear kiosk 3+1 – 185-300 mm ² cable, 33 kV
HU104 33	Flusarc switchgear kiosk 4+0 – 185-300 mm ² cable, 33 kV
HU106 33	Flusarc switchgear kiosk 3+2 – 185-300 mm ² cable, 33 kV
HU107 33	Flusarc switchgear kiosk CB-C-C-C – 185-300 mm ² cable, 33 kV

Note No.	Description
1	Only applicable to major towns like Kununurra, Broome, Port Hedland, Karratha, Carnarvon, and Esperance.
2	Designer to select appropriate bare copper grading ring length for relevant DSM arrangement. As a guide, 25m is required for transformer-only or RMU-only sites, and 35m required for combined sites. Substations with capacity of greater than 315kVA should be individually evaluated as more length may be required.
3	Construction crew to drill hole to suit if pole does not come with pre-drilled hole for HU16-HU21.

 1 CORE 22kV 25 TO 95 95 TO 240 240 TO 400 HU11	 3 CORE 22kV 25 TO 95 95 TO 240 240 TO 400 HU12	 3-0 KIOSK STAND ALONE HU5	 2-1 KIOSK STAND ALONE HU6	 2-2 KIOSK STAND ALONE HU7	 3-1 KIOSK STAND ALONE HU8	 4-0 KIOSK STAND ALONE HU9	
 1 CORE 33kV 35 TO 95 150 TO 300 240 TO 400 HU13	 3 CORE 33kV 35 TO 95 150 TO 300 240 TO 400 HU14	 400 XLPE HU16	 185 XLPE HU18	 35 XLPE HU19	 50 XLPE HU20	 240 XLPE HU21	
 INDOOR SWITCHGEAR 3-1 HU22	 INDOOR SWITCHGEAR 2-1 HU23	 INDOOR SWITCHGEAR 2-2 HU24	 INDOOR SWITCHGEAR 2-3 & 3-2 HU25	 50 PILSWA TO 35 XLPE HU28	 22kV 185/240 PILCSWA TO 185-400 XLPE HU29	 METERING HU40	
 HV FUSES FUSE EXTENDERS HU55	 160, 315, 630 1000 NON MPS DISTRICT HU59 & HU590	 160, 315, 630 1000 NON MPS SOLE USE HU60 & HU600	 160, 315, 630 MPS DISTRICT HU61	 200AMP ELBOWS HU66	 DEAD END RECEPTACLES HU67	 NON MPS SKIRT HU68	
 HU69	 SPUDS BASE HU75	 NON MPS / MPS CULVERT-BASE HU76	 ISOLATOR HU78	 FUSE HU79	 2-3 KIOSK STAND ALONE HU80	 3-2 KIOSK STAND ALONE HU81	
 Tx. 63kVA 3PH & BUSH HU82	 HV METER UNIT HU84	 FLUSARC 33kV RMU 3-0 MOTORISED HU100	 FLUSARC 33kV RMU 2-1 MOTORISED HU101	 FLUSARC 33kV RMU 2-2 MOTORISED HU102	 FLUSARC 33kV RMU 3-1 MOTORISED HU103	 FLUSARC 33kV RMU 4-0 MOTORISED HU104	
 FLUSARC 33kV RMU 3-2 MOTORISED HU106	 FLUSARC 33kV CB-C-C-C (ICB-3C) RMU HU107						

 DISTRIBUTION DESIGN CATALOGUE OPERATIONS DIVISION	COMPATIBLE UNIT	REVISION 3	DATE 4/5/2021
	HU COMPATIBLE UNITS	DRAWING No. HU INDEX	



HORIZON POWER DISTRIBUTION DESIGN CATALOGUE OPERATIONS DIVISION	COMPATIBLE UNIT	REVISION 2	DATE 05/01/2021
	STRAIGHT JOINT XLPE 1x1 CORE 22kV 25 TO 95, 95 TO 240 & 240 TO 400 sq mm	DRAWING No. HU1	

PROTECTED

CU	CU DESCRIPTION
HU1_95	Straight joint – 25 to 95 1 x 1 core, 22 kV

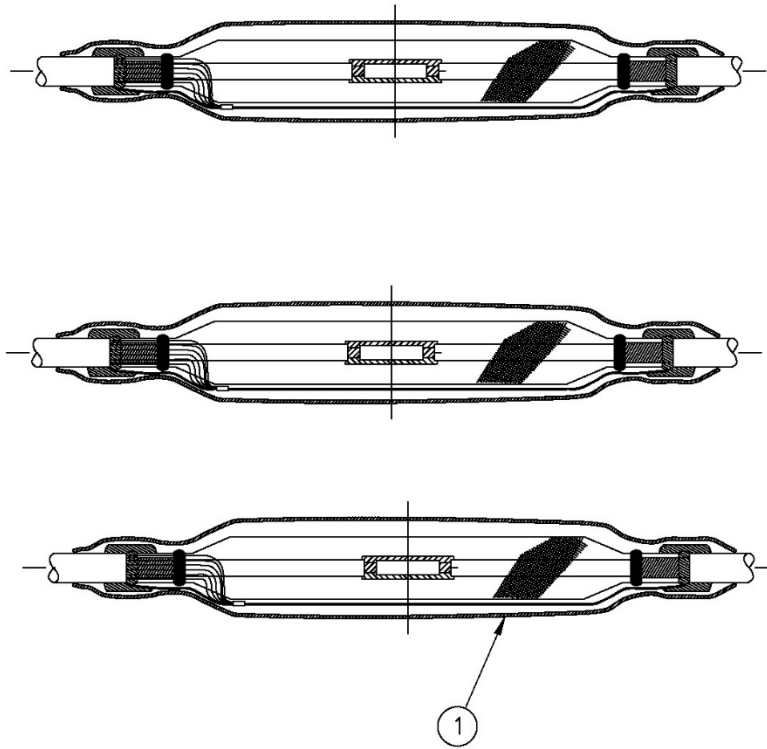
ITEM NUMBER	STOCK NUMBER	DESCRIPTION	QTY RQD	UNIT OF MEASURE	REMARKS
1	FJH0400	joint kit with termite protect	1	ea	

CU	CU DESCRIPTION
HU1_240	Straight joint – 95 to 240 1 x 1 core, 22 kV

ITEM NUMBER	STOCK NUMBER	DESCRIPTION	QTY RQD	UNIT OF MEASURE	REMARKS
1	FJH0410	joint kit with termite protect	1	ea	

CU	CU DESCRIPTION
HU1_400	Straight joint – 240 to 400 1 x 1 core, 22 kV

ITEM NUMBER	STOCK NUMBER	DESCRIPTION	QTY RQD	UNIT OF MEASURE	REMARKS
1	FJH0411	joint kit with termite protect	1	ea	



HORIZON POWER DISTRIBUTION DESIGN CATALOGUE OPERATIONS DIVISION	COMPATIBLE UNIT	REVISION 2	DATE 05/01/2021
	STRAIGHT JOINT XLPE 3x1 CORE 22kV 25 TO 95, 95 TO 240 & 240 TO 400 sq mm	DRAWING No. HU2	

PROTECTED

CU	CU DESCRIPTION
HU2_95	Straight joint – 25 to 95 3 x 1 core, 22 kV

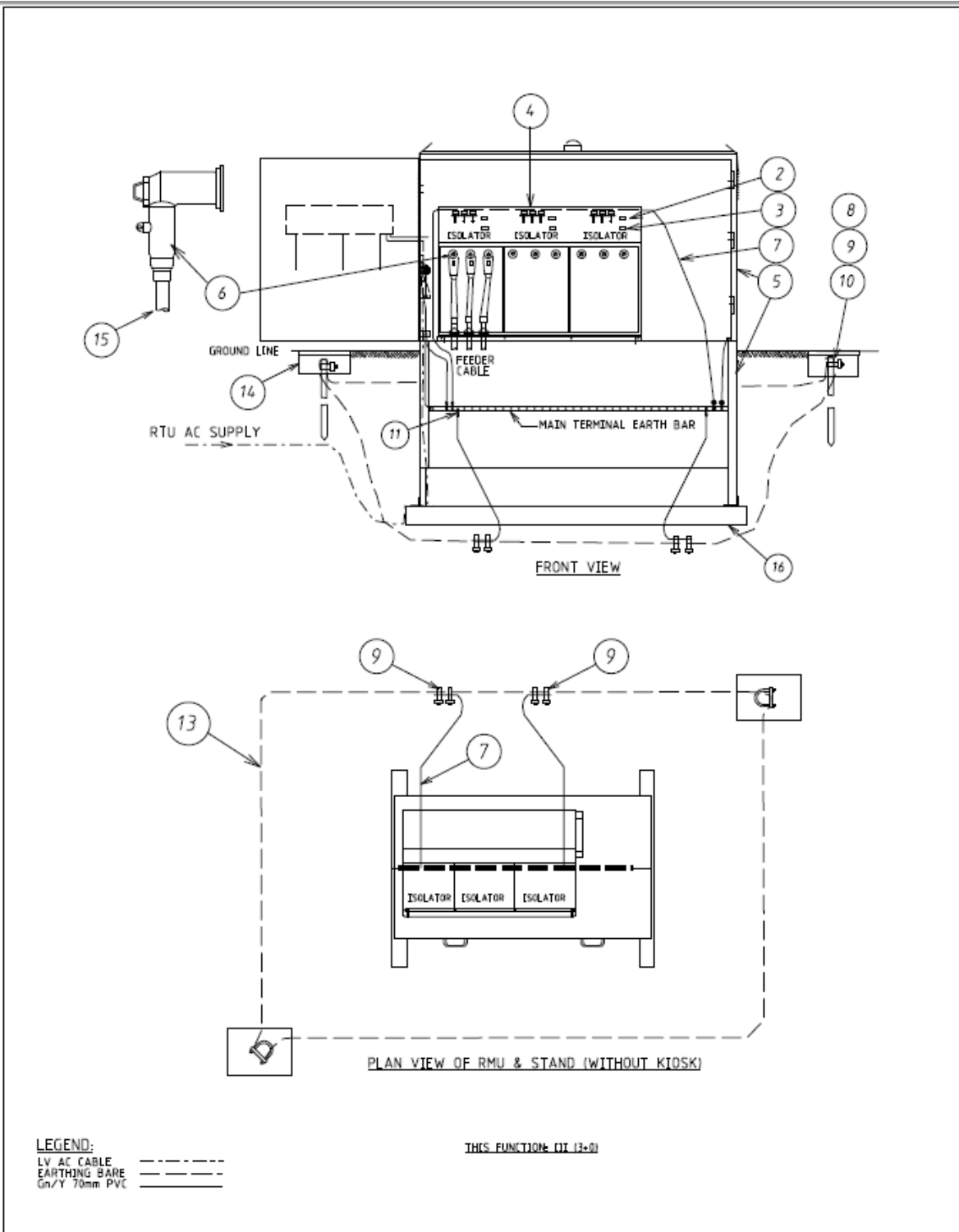
ITEM NUMBER	STOCK NUMBER	DESCRIPTION	QTY RQD	UNIT OF MEASURE	REMARKS
1	FJH0400	joint kit with termite protect	3	ea	

CU	CU DESCRIPTION
HU2_240	Straight joint – 95 to 240 3 x 1 core, 22 kV

ITEM NUMBER	STOCK NUMBER	DESCRIPTION	QTY RQD	UNIT OF MEASURE	REMARKS
1	FJH0410	joint kit with termite protect	3	ea	

CU	CU DESCRIPTION
HU2_400	Straight joint – 240 to 400 3 x 1 core, 22 kV

ITEM NUMBER	STOCK NUMBER	DESCRIPTION	QTY RQD	UNIT OF MEASURE	REMARKS
1	FJH0411	joint kit with termite protect	3	ea	



<p>HORIZON POWER DISTRIBUTION DESIGN CATALOGUE OPERATIONS DIVISION</p>	<p>COMPATIBLE UNIT</p>	<p>REVISION 3</p>	<p>DATE 19/12/2023</p>
	<p>SCHNEIDER RM6 OUTDOOR SWITCHGEAR 3 + 0 WITH KIOSK (4 WAYS)</p>	<p>DRAWING No. HU5</p>	

PROTECTED

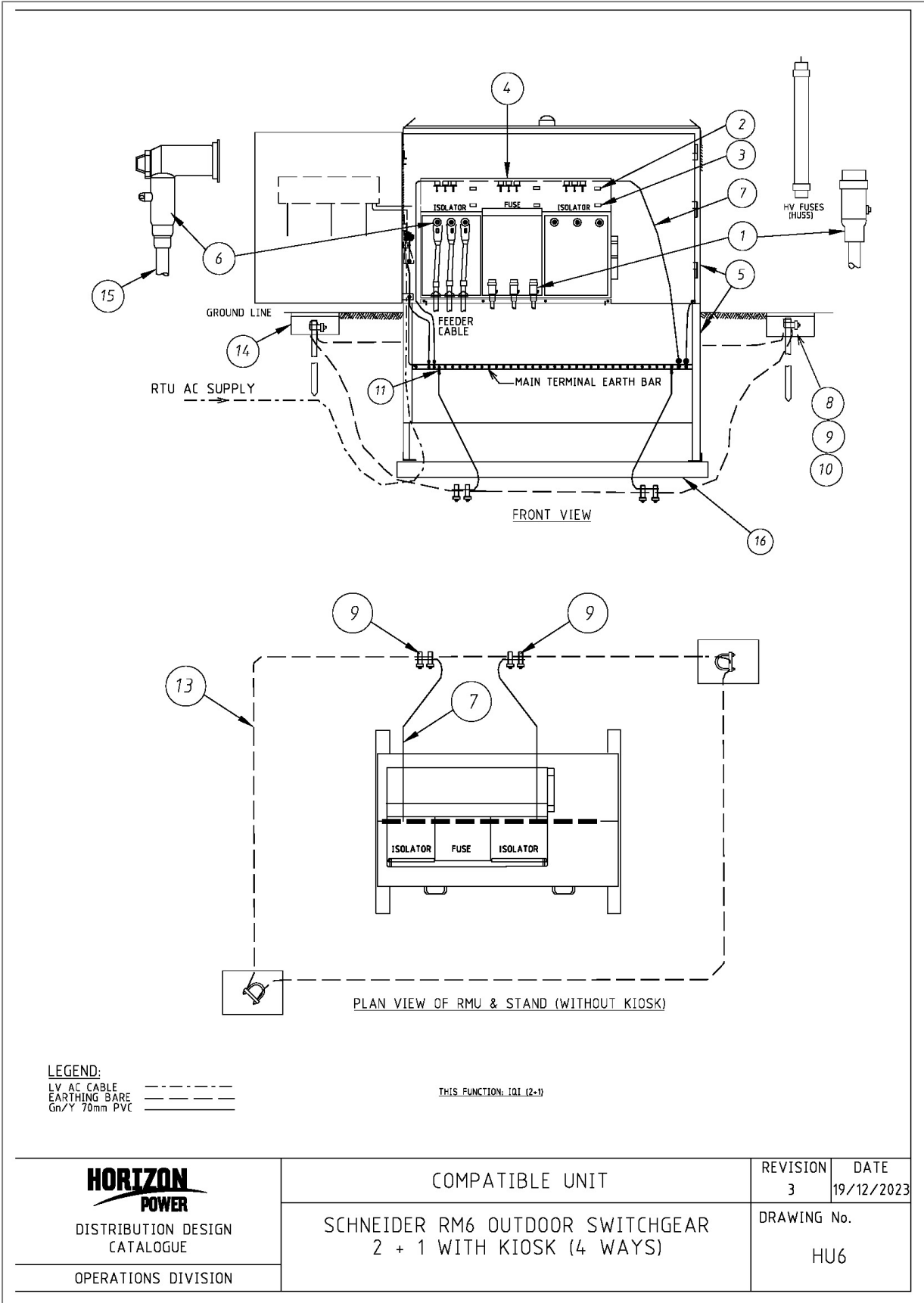
CU	CU DESCRIPTION
HU5_400	Switchgear kiosk 3+0 – 185-400 mm ² cable, 22 kV

ITEM NUMBER	STOCK NUMBER	DESCRIPTION	QTY RQD	UNIT OF MEASURE	REMARKS
2	OH0211	padlock	3	ea	
3	OH0194	padlock	4	ea	
4	XA2620	switchgear 3+0	1	ea	
5	XAH2650	4 way cabinet & stand, Cyclonic Rated	1	ea	
6	FCH0294	elbow 185-400 mm ² (set of 3)	3	ea	
7	EE1264	conductor 70 mm pvc insulated copper green / yellow	15	m	
8	CE0135	earth rod	8	ea	
9	CE0058	earth clamp	6	ea	
10	CE0078	earth coupling	6	ea	
11	FL1465	earthing lug	6	ea	
13		Select from HU69		m	Note 2
14	CE0201	earth box	2	ea	
15	FE0044	Insulation sleeving	9	ea	
16	CAH1017	Concrete Base to suit 4- or 5-way RMU	1	ea	

PROTECTED

CU	CU DESCRIPTION
HU5_A400	Switchgear kiosk 3+0 – 185-400 mm ² cable, 22 kV - motorised

ITEM NUMBER	STOCK NUMBER	DESCRIPTION	QTY RQD	UNIT OF MEASURE	REMARKS
2	OH0211	padlock	3	ea	
3	OH0194	padlock	4	ea	
4	XA2630	switchgear 3+0 right ext,motorised	1	ea	
5	XAH2650	4 way cabinet & stand, Cyclonic Rated	1	ea	
6	FCH0294	elbow 185-400 mm ² (set of 3)	3	ea	
7	EE1264	conductor 70 mm pvc insulated copper green / yellow	15	m	
8	CE0135	earth rod	8	ea	
9	CE0058	earth clamp	6	ea	
10	CE0078	earth coupling	6	ea	
11	FL1465	earthing lug	6	ea	
13		Select from HU69		m	Note 2
14	CE0201	earth box	2	ea	
15	FE0044	Insulation sleeving	9	ea	
16	CAH1017	Concrete Base to suit 4- or 5-way RMU	1	ea	



PROTECTED

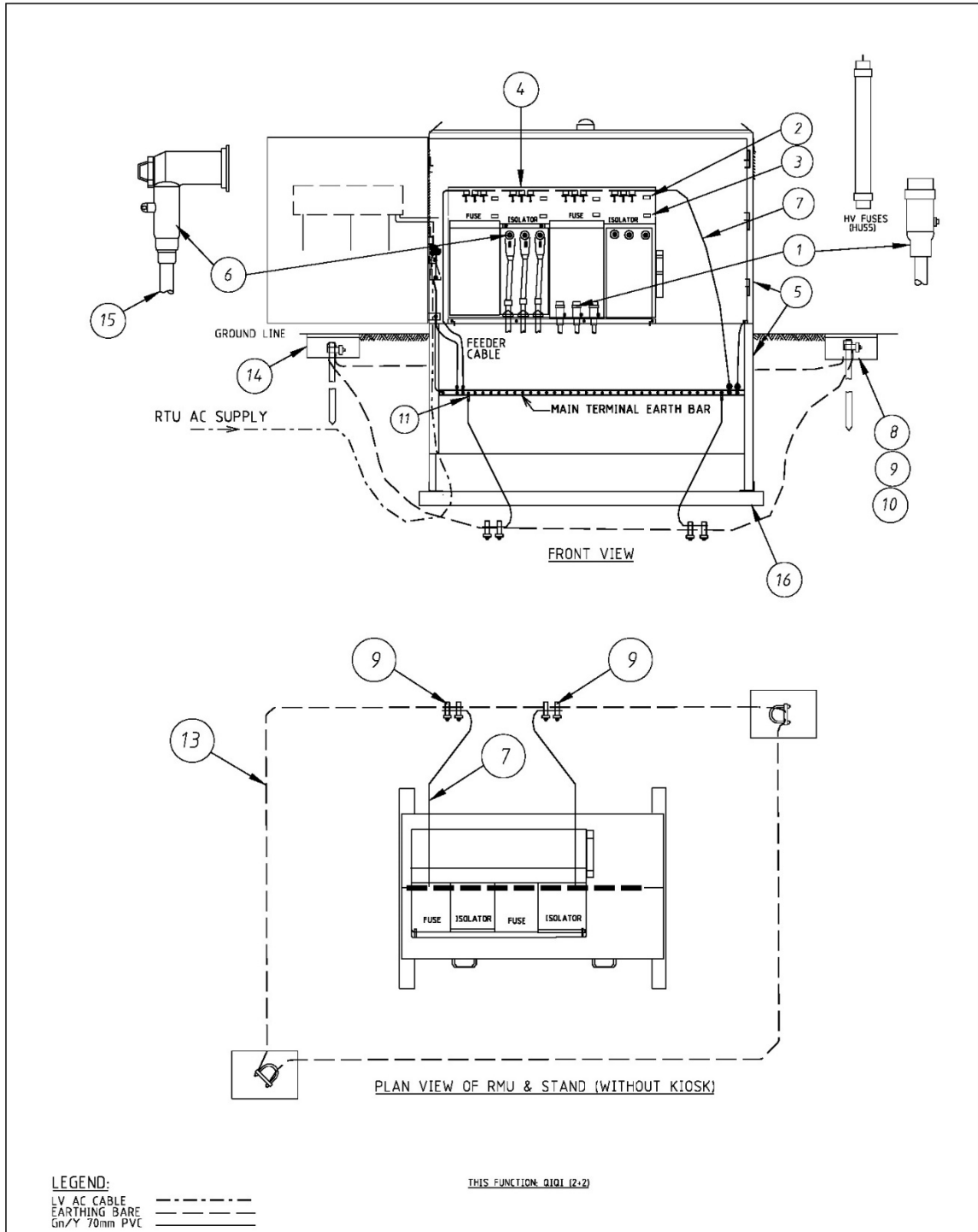
CU	CU DESCRIPTION
HU6_400	Switchgear kiosk 2+1 – 185-400 mm ² cable, 22 kV

ITEM NUMBER	STOCK NUMBER	DESCRIPTION	QTY RQD	UNIT OF MEASURE	REMARKS
1	FC0317	straight connector	1	ea	
2	OH0211	padlock	3	ea	
3	OH0194	padlock	4	ea	
4	XA2621	switchgear 2+1	1	ea	
5	XAH2650	4 way cabinet & stand, Cyclonic Rated	1	ea	
6	FCH0294	elbow 185-400 mm ² (set of 3)	2	ea	
7	EE1264	conductor 70 mm pvc insulated copper green / yellow	15	m	
8	CE0135	earth rod	8	ea	
9	CE0058	earth clamp	6	ea	
10	CE0078	earth coupling	6	ea	
11	FL1465	earthing lug	6	ea	
13		Select from HU69		m	Note 2
14	CE0201	earth box	2	ea	
15	FE0044	Insulation sleeving	6	ea	
16	CAH1017	Concrete Base to suit 4- or 5-way RMU	1	ea	

PROTECTED

CU	CU DESCRIPTION
HU6_A400	Switchgear kiosk 2+1 – 185-400 mm ² cable, 22 kV - motorised

ITEM NUMBER	STOCK NUMBER	DESCRIPTION	QTY RQD	UNIT OF MEASURE	REMARKS
1	FC0317	straight connector	1	ea	
2	OH0211	padlock	3	ea	
3	OH0194	padlock	4	ea	
4	XA2631	switchgear 2+1, right ext, motorised	1	ea	
5	XAH2650	4 way cabinet & stand, Cyclonic Rated	1	ea	
6	FCH0294	elbow 185-400 mm ² (set of 3)	2	ea	
7	EE1264	conductor 70 mm pvc insulated copper green / yellow	15	m	
8	CE0135	earth rod	8	ea	
9	CE0058	earth clamp	6	ea	
10	CE0078	earth coupling	6	ea	
11	FL1465	earthing lug	6	ea	
13		Select from HU69		m	Note 2
14	CE0201	earth box	2	ea	
15	FE0044	Insulation sleeving	6	ea	
16	CAH1017	Concrete Base to suit 4- or 5-way RMU	1	ea	



<p>HORIZON POWER DISTRIBUTION DESIGN CATALOGUE OPERATIONS DIVISION</p>	COMPATIBLE UNIT	REVISION 3	DATE 19/12/2023
	SCHNEIDER RM6 OUTDOOR SWITCHGEAR 2 + 2 WITH KIOSK (5 WAYS)	DRAWING No. HU7	

PROTECTED

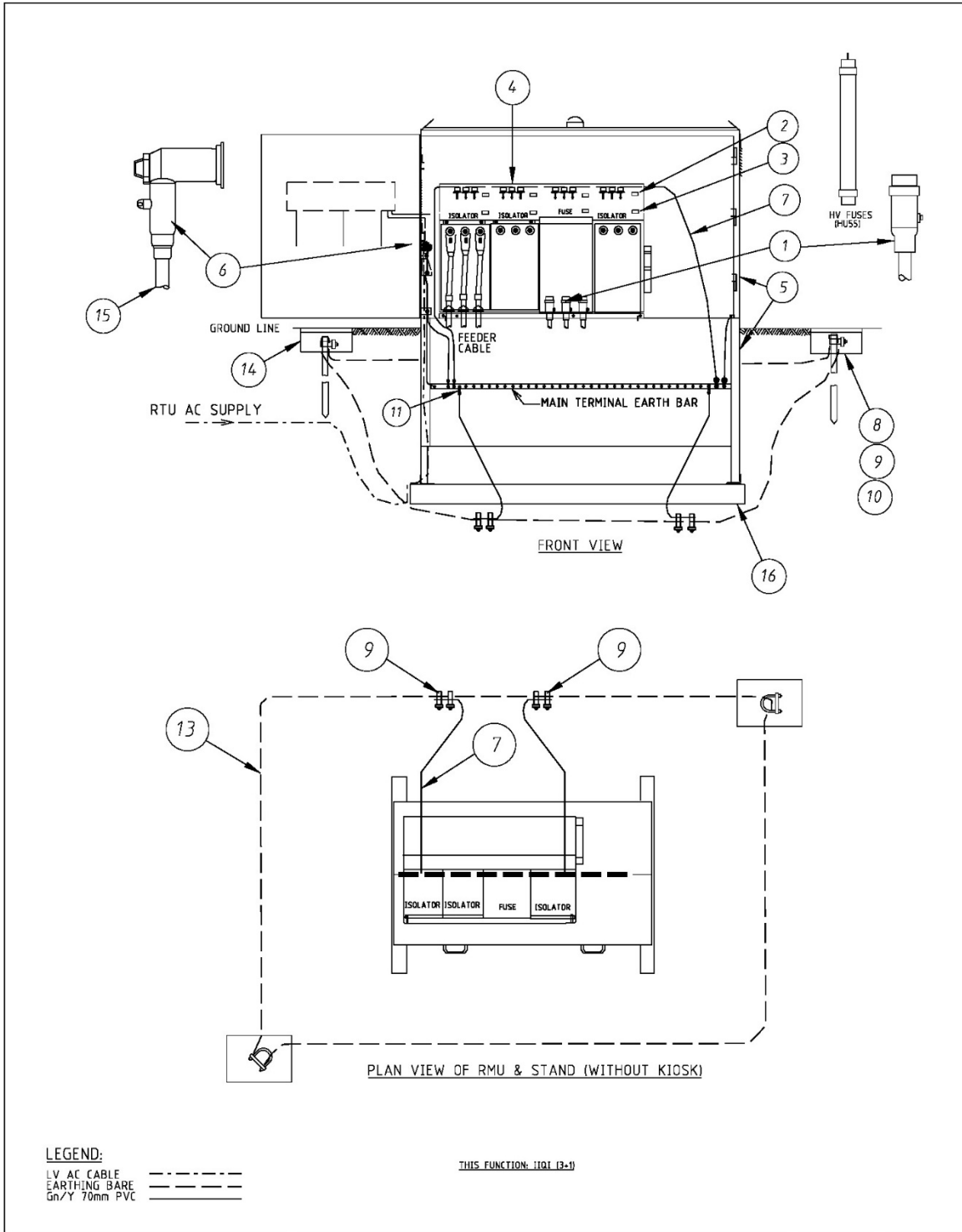
CU	CU DESCRIPTION
HU7_400	Switchgear kiosk 2+2 – 185-400 mm ² cable, 22 kV

ITEM NUMBER	STOCK NUMBER	DESCRIPTION	QTY RQD	UNIT OF MEASURE	REMARKS
1	FC0317	straight connector	2	ea	
2	OH0211	padlock	4	ea	
3	OH0194	padlock	5	ea	
4	XA2624	switchgear 2+2	1	ea	
5	XAH2651	5 way cabinet & stand, Cyclonic Rated	1	ea	
6	FCH0294	elbow 185-400 mm ² (set of 3)	2	ea	
7	EE1264	conductor 70 mm pvc insulated copper green / yellow	15	m	
8	CE0135	earth rod	8	ea	
9	CE0058	earth clamp	6	ea	
10	CE0078	earth coupling	6	ea	
11	FL1465	earthing lug	6	ea	
13		Select from HU69		m	Note 2
14	CE0201	earth box	2	ea	
15	FE0044	Insulation Sleeving	6	ea	
16	CAH1017	Concrete Base to suit 4- or 5-way RMU	1	ea	

PROTECTED

CU	CU DESCRIPTION
HU7_A400	Switchgear kiosk 2+2 – 185-400 mm ² cable, 22 kV - motorised

ITEM NUMBER	STOCK NUMBER	DESCRIPTION	QTY RQD	UNIT OF MEASURE	REMARKS
1	FC0317	straight connector	2	ea	
2	OH0211	padlock	4	ea	
3	OH0194	padlock	5	ea	
4	XA2634	switchgear 2+2, right ext, motorised	1	ea	
5	XAH2651	5 way cabinet & stand, Cyclonic Rated	1	ea	
6	FCH0294	elbow 185-400 mm ² (set of 3)	2	ea	
7	EE1264	conductor 70 mm pvc insulated copper green / yellow	15	m	
8	CE0135	earth rod	8	ea	
9	CE0058	earth clamp	6	ea	
10	CE0078	earth coupling	6	ea	
11	FL1465	earthing lug	6	ea	
13		Select from HU69		m	Note 2
14	CE0201	earth box	2	ea	
15	FE0044	Insulation Sleeving	6	ea	
16	CAH1017	Concrete Base to suit 4- or 5-way RMU	1	ea	



 DISTRIBUTION DESIGN CATALOGUE OPERATIONS DIVISION	COMPATIBLE UNIT	REVISION 3	DATE 19/12/2023
	SCHNEIDER RM6 OUTDOOR SWITCHGEAR 3 + 1 WITH KIOSK (5 WAYS)	DRAWING No. HU8	

PROTECTED

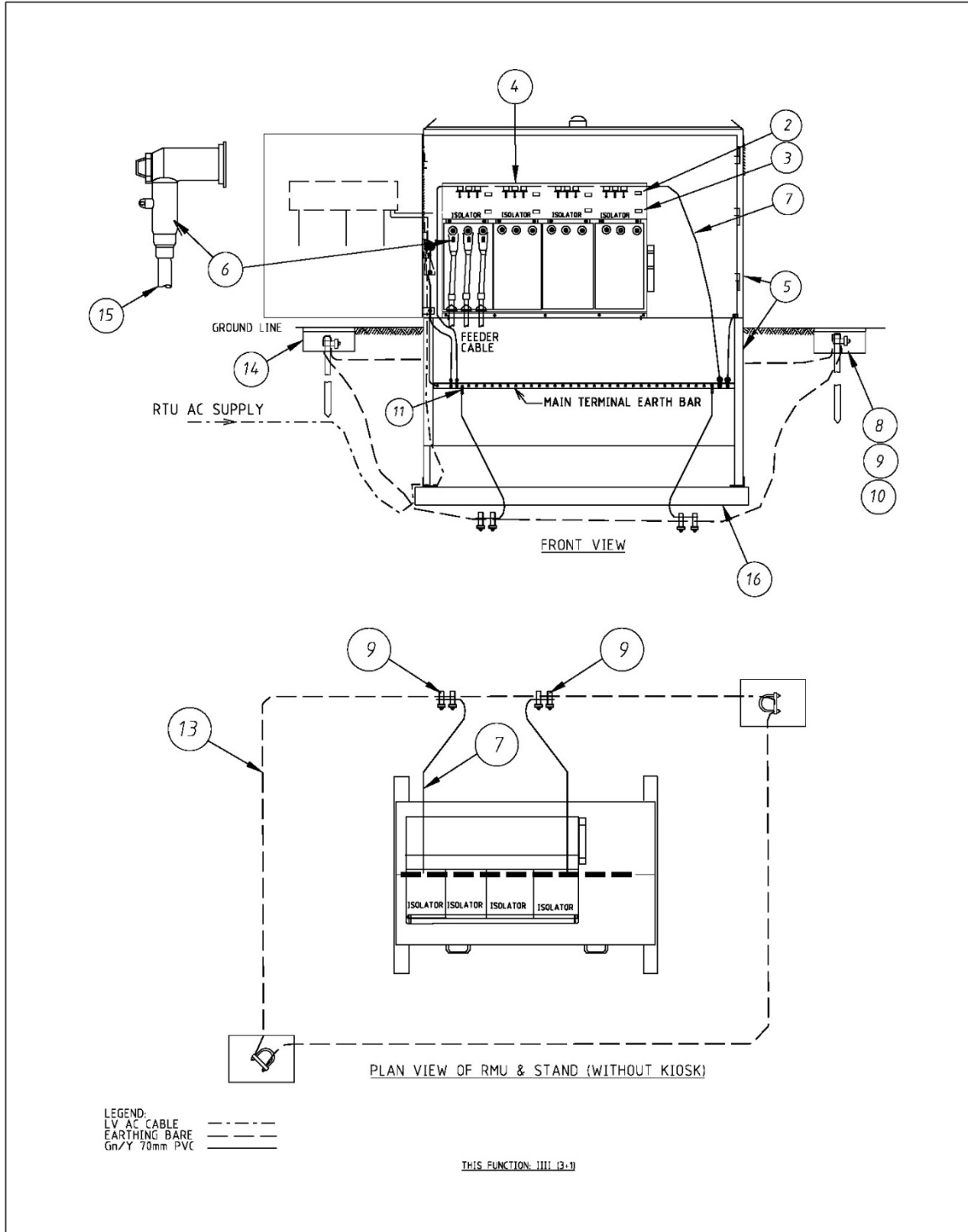
CU	CU DESCRIPTION
HU8_400	Switchgear kiosk 3+1 – 185-400 mm ² cable, 22 kV

ITEM NUMBER	STOCK NUMBER	DESCRIPTION	QTY RQD	UNIT OF MEASURE	REMARKS
1	FC0317	straight connector	1	ea	
2	OH0211	padlock	4	ea	
3	OH0194	padlock	5	ea	
4	XA2623	switchgear 3+1	1	ea	
5	XAH2651	5 way cabinet & stand, Cyclonic Rated	1	ea	
6	FCH0294	elbow 185-400 mm ² (set of 3)	3	ea	
7	EE1264	conductor 70 mm pvc insulated copper green / yellow	15	m	
8	CE0135	earth rod	8	ea	
9	CE0058	earth clamp	6	ea	
10	CE0078	earth coupling	6	ea	
11	FL1465	earthing lug	6	ea	
13		Select from HU69		m	Note 2
14	CE0201	earth box	2	ea	
15	FE0044	Insulation sleeving	9	ea	
16	CAH1017	Concrete Base to suit 4- or 5-way RMU	1	ea	

PROTECTED

CU	CU DESCRIPTION
HU8_A400	Switchgear kiosk 3+1 – 185-400 mm ² cable, 22 kV - motorised

ITEM NUMBER	STOCK NUMBER	DESCRIPTION	QTY RQD	UNIT OF MEASURE	REMARKS
1	FC0317	straight connector	1	ea	
2	OH0211	padlock	4	ea	
3	OH0194	padlock	5	ea	
4	XA2633	switchgear 3+1, right ext, motorised	1	ea	
5	XAH2651	5 way cabinet & stand, Cyclonic Rated	1	ea	
6	FCH0294	elbow 185-400 mm ² (set of 3)	3	ea	
7	EE1264	conductor 70 mm pvc insulated copper green / yellow	15	m	
8	CE0135	earth rod	8	ea	
9	CE0058	earth clamp	6	ea	
10	CE0078	earth coupling	6	ea	
11	FL1465	earthing lug	6	ea	
13		Select from HU69		m	Note 2
14	CE0201	earth box	2	ea	
15	FE0044	Insulation sleeving	9	ea	
16	CAH1017	Concrete Base to suit 4- or 5-way RMU	1	ea	



HORIZON POWER DISTRIBUTION DESIGN CATALOGUE OPERATIONS DIVISION	COMPATIBLE UNIT	REVISION 3	DATE 19/12/2023
	SCHNEIDER RM6 OUTDOOR SWITCHGEAR 4 + 0 WITH KIOSK (5 WAYS)	DRAWING No. HU9	

PROTECTED

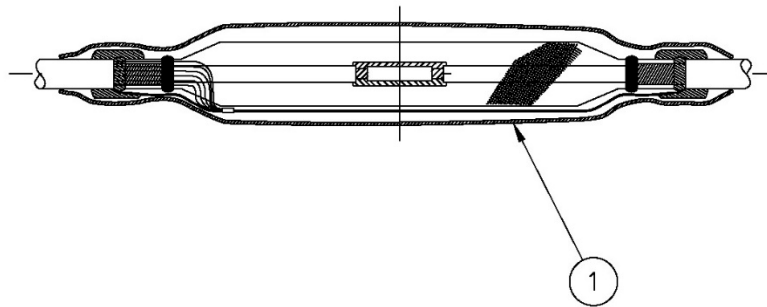
CU	CU DESCRIPTION
HU9_400	Switchgear kiosk 4+0 – 185-400 mm ² cable, 22 kV

ITEM NUMBER	STOCK NUMBER	DESCRIPTION	QTY RQD	UNIT OF MEASURE	REMARKS
2	OH0211	padlock	4	ea	
3	OH0194	padlock	5	ea	
4	XA2622	switchgear 4 + 0	1	ea	
5	XAH2651	5 way cabinet & stand, Cyclonic Rated	1	ea	
6	FCH0294	elbow 185-400 mm ² (set of 3)	4	ea	
7	EE1264	conductor 70 mm pvc insulated copper green / yellow	15	m	
8	CE0135	earth rod	8	ea	
9	CE0058	earth clamp	6	ea	
10	CE0078	earth coupling	6	ea	
11	FL1465	earthing lug	6	ea	
13		Select from HU69		m	Note 2
14	CE0201	earth box	2	ea	
15	FE0044	Insulation sleeving	12	ea	
16	CAH1017	Concrete Base to suit 4- or 5-way RMU	1	ea	

PROTECTED

CU	CU DESCRIPTION
HU9_A400	Switchgear kiosk 4+0 – 185-400 mm ² cable, 22 kV - motorised

ITEM NUMBER	STOCK NUMBER	DESCRIPTION	QTY RQD	UNIT OF MEASURE	REMARKS
2	OH0211	padlock	4	ea	
3	OH0194	padlock	5	ea	
4	XA2632	switchgear 4 + 0, right ext, motorised	1	ea	
5	XAH2651	5 way cabinet & stand	1	ea	
6	FCH0294	elbow 185-400 mm ² (set of 3)	4	ea	
7	EE1264	conductor 70 mm pvc insulated copper green / yellow	15	m	
8	CE0135	earth rod	8	ea	
9	CE0058	earth clamp	6	ea	
10	CE0078	earth coupling	6	ea	
11	FL1465	earthing lug	6	ea	
13		Select from HU69		m	Note 2
14	CE0201	earth box	2	ea	
15	FE0044	Insulation sleeving	12	ea	
16	CAH1017	Concrete Base to suit 4- or 5-way RMU	1	ea	



HORIZON POWER DISTRIBUTION DESIGN CATALOGUE OPERATIONS DIVISION	COMPATIBLE UNIT	REVISION 2	DATE 06/01/2021
	STRAIGHT JOINT XLPE 1x1 CORE 33kV 35 TO 95, 150 TO 300 & 240 TO 400sqmm	DRAWING No. HU13	

PROTECTED

CU	CU DESCRIPTION
HU13_95	Straight joint – 35 to 95 1 x 1 core, 33 kV

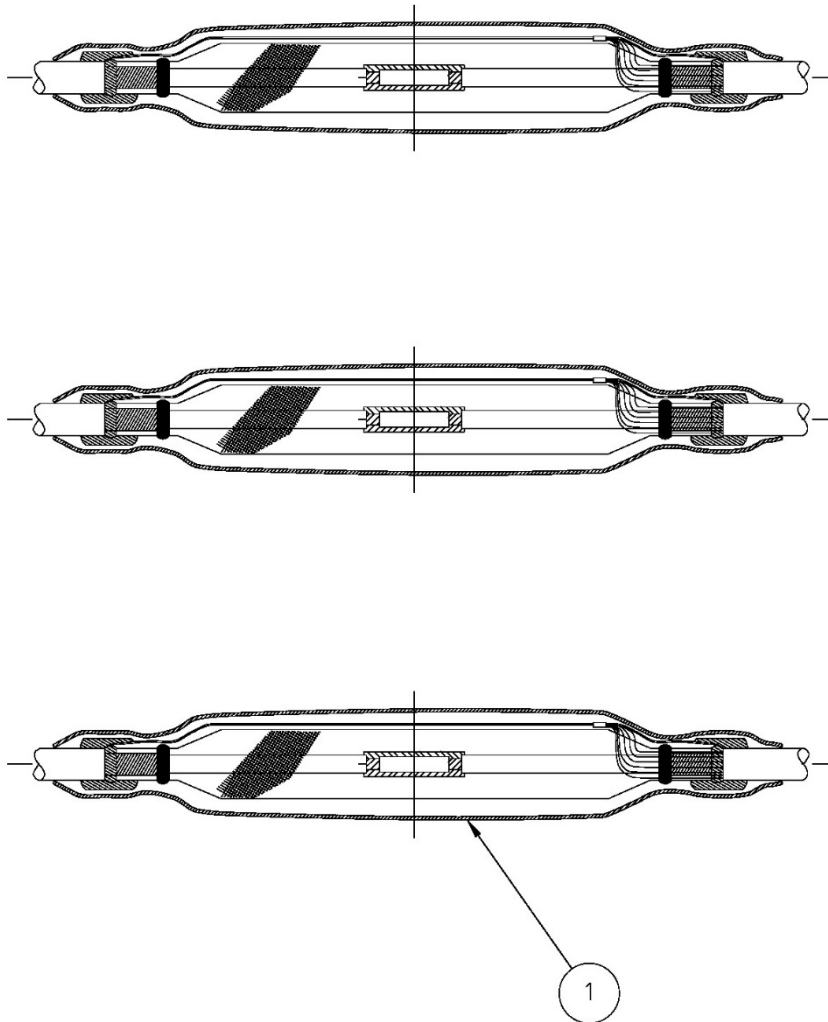
ITEM NUMBER	STOCK NUMBER	DESCRIPTION	QTY RQD	UNIT OF MEASURE	REMARKS
1	FJH0418	joint kit with termite protect	1	ea	

CU	CU DESCRIPTION
HU13_300	Straight joint – 150 to 300 1 x 1 core, 33 kV

ITEM NUMBER	STOCK NUMBER	DESCRIPTION	QTY RQD	UNIT OF MEASURE	REMARKS
1	FJH0419	joint kit with termite protect	1	ea	

CU	CU DESCRIPTION
HU13_400	Straight joint – 240 to 400 1 x 1 core, 33 kV

ITEM NUMBER	STOCK NUMBER	DESCRIPTION	QTY RQD	UNIT OF MEASURE	REMARKS
1	FJH0420	joint kit with termite protect	1	ea	



HORIZON POWER DISTRIBUTION DESIGN CATALOGUE OPERATIONS DIVISION	COMPATIBLE UNIT	REVISION 2	DATE 06/01/2021
	STRAIGHT JOINT XLPE 3 x1 CORE 33kV 35 TO 95, 150 TO 300 & 240 TO 400sqmm	DRAWING No. HU14	

PROTECTED

CU	CU DESCRIPTION
HU14_95	Straight joint – 35 to 95 3 x 1 core, 33 kV

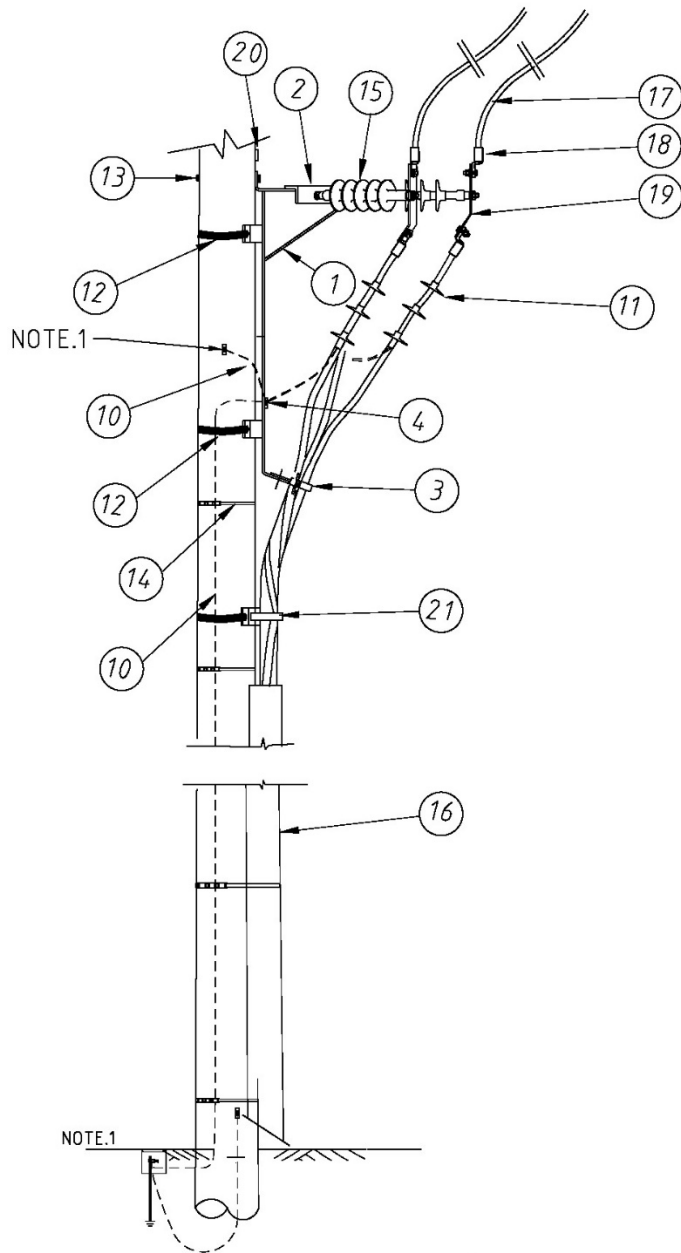
ITEM NUMBER	STOCK NUMBER	DESCRIPTION	QTY RQD	UNIT OF MEASURE	REMARKS
1	FJH0418	joint kit with termite protect	3	ea	

CU	CU DESCRIPTION
HU14_300	Straight joint – 150 to 300 3 x 1 core, 33 kV

ITEM NUMBER	STOCK NUMBER	DESCRIPTION	QTY RQD	UNIT OF MEASURE	REMARKS
1	FJH0419	joint kit with termite protect	3	ea	

CU	CU DESCRIPTION
HU14_400	Straight joint – 240 to 400 3 x 1 core, 33 kV

ITEM NUMBER	STOCK NUMBER	DESCRIPTION	QTY RQD	UNIT OF MEASURE	REMARKS
1	FJH0420	joint kit with termite protect	3	ea	



LEGEND:
 EARTHING CABLE - - - - -

NOTE:
 1. EXCLUDES THE EARTHING STOCK NUMBERS
 SEE P019C

HORIZON POWER DISTRIBUTION DESIGN CATALOGUE OPERATIONS DIVISION	COMPATIBLE UNIT	REVISION 2	DATE 06/01/2021
	CABLE POLE TERMINATION 400 - 3 x 1 CORE	DRAWING No. HU16	

PROTECTED

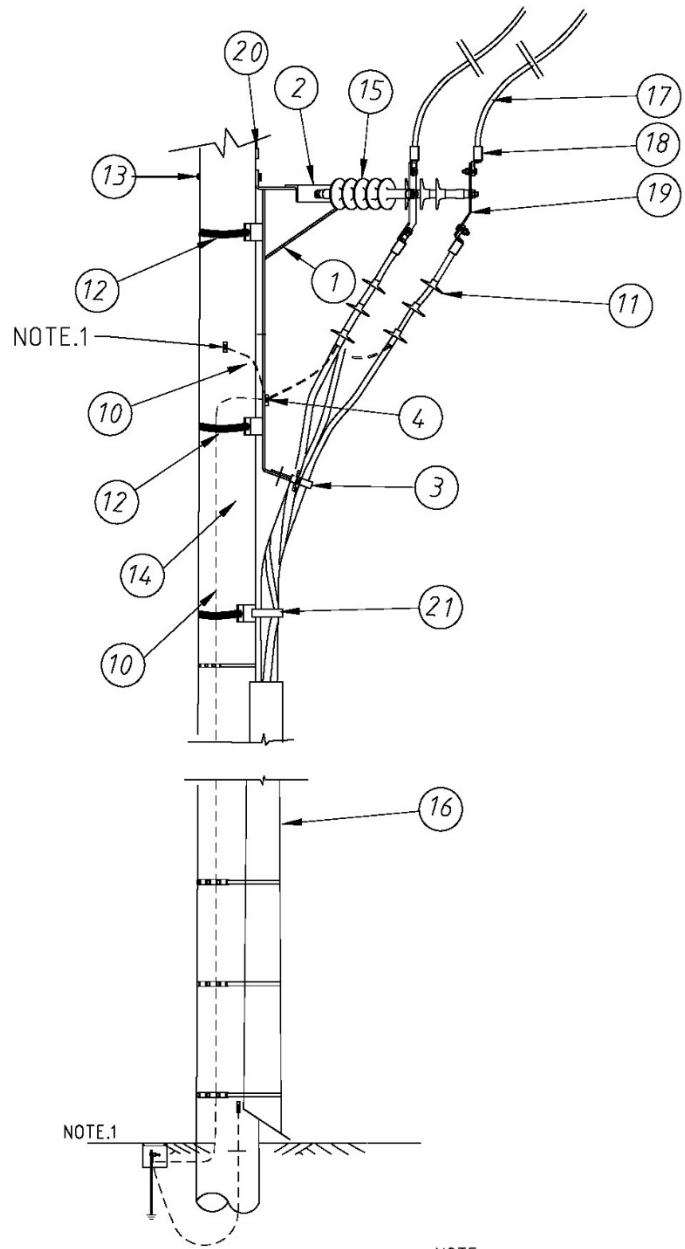
CU	CU DESCRIPTION
HU16	Cable Pole termination – 185/400 - 3 x 1c 22 kV

ITEM NUMBER	STOCK NUMBER	DESCRIPTION	QTY RQD	UNIT OF MEASURE	REMARKS
1	CB3017	cable term bracket	1	ea	
2	CB3035	arrester bracket	1	ea	
3	CB3106	cable clamp 185-400 mm	1	ea	
4	FL1465	earthing lug	5	ea	
10	EE1264	earth cable	12	mr	
11	FJH0417	Cable term. kit 22kV for 1C 185-400mm ² cable	3	ea	
12	OZ0012	Bandit Strap (15.8 mm) (not included in CU)	-	N/A	Truck item
13	AB4581	Pole Bolt (12 mm x 400 mm)	1	ea	Note 3
21	FM6313	cable saddle	4	ea	
14	OZ0008	Bandit Strap (12.7 mm) (not included in CU)	-	N/A	Truck item
15	GA4002	surge arrester	3	ea	
16	HT6321	cable protector	1	ea	
17	FT0150	150 ABC 3 m long	1	ea	
18	FL0402	150 ABC terminal lug	3	ea	
19	GF1592	connector plate	3	ea	
20	CZ5007	Phase Indicator Disc	1	ea	

PROTECTED

CU	CU DESCRIPTION
HU16_11	Cable Pole termination – 185/400 - 3 x 1c 11 kV

ITEM NUMBER	STOCK NUMBER	DESCRIPTION	QTY RQD	UNIT OF MEASURE	REMARKS
1	CB3017	cable term bracket	1	ea	
2	CB3035	arrester bracket	1	ea	
3	CB3106	cable clamp 185-400 mm	1	ea	
4	FL1465	earthing lug	5	ea	
10	EE1264	earth cable	12	mr	
11	FJH0417	Cable term. kit 22kV for 1C 185-400mm ² cable	3	ea	
12	OZ0012	Bandit Strap (15.8 mm) (not included in CU)	-	N/A	Truck item
13	AB4581	Pole Bolt (12 mm x 400 mm)	1	ea	Note 3
21	FM6313	cable saddle	4	ea	
14	OZ0008	Bandit Strap (12.7 mm) (not included in CU)	-	N/A	Truck item
15	GA4001	surge arrester	3	ea	
16	HT6321	cable protector	1	ea	
17	FT0150	150 ABC 3 m long	1	ea	
18	FL0402	150 ABC terminal lug	3	ea	
19	GF1592	connector plate	3	ea	
20	CZ5007	Phase Indicator Disc	1	ea	



LEGEND:
EARTHING CABLE - - - - -

NOTE:
1. EXCLUDES THE EARTHING STOCK NUMBERS
SEE P019C

HORIZON POWER DISTRIBUTION DESIGN CATALOGUE OPERATIONS DIVISION	COMPATIBLE UNIT	REVISION 2	DATE 06/01/2021
	CABLE POLE TERMINATION 185 - 3 x 1 CORE	DRAWING No. HU18	

PROTECTED

CU	CU DESCRIPTION
HU18	Cable Pole termination – 185 - 3 x 1c 22 kV

ITEM NUMBER	STOCK NUMBER	DESCRIPTION	QTY RQD	UNIT OF MEASURE	REMARKS
1	CB3017	cable term bracket	1	ea	
2	CB3035	arrester bracket	1	ea	
3	CB3106	cable clamp 185-400 mm	1	ea	
4	FL1465	earthing lug	5	ea	
10	EE1264	earth cable	12	mr	
11	FJH0417	Cable term. kit 22kV for 1C 185-400mm ² cable	3	ea	
12	OZ0012	Bandit Strap (15.8 mm) (not included in CU)	-	N/A	Truck item
13	AB4581	Pole Bolt (12 mm x 400 mm)	1	ea	Note 3
21	FM6312	cable saddle	4	ea	
14	OZ0008	Bandit Strap (12.7 mm) (not included in CU)	-	N/A	Truck item
15	GA4002	surge arrester	3	ea	
16	HT6321	cable protector	1	ea	
17	FT0150	150 ABC 3 m long	1	ea	
18	FL0402	150 ABC terminal lug	3	ea	
19	GF1592	connector plate	3	ea	
20	CZ5007	Phase Indicator Disc	1	ea	

PROTECTED

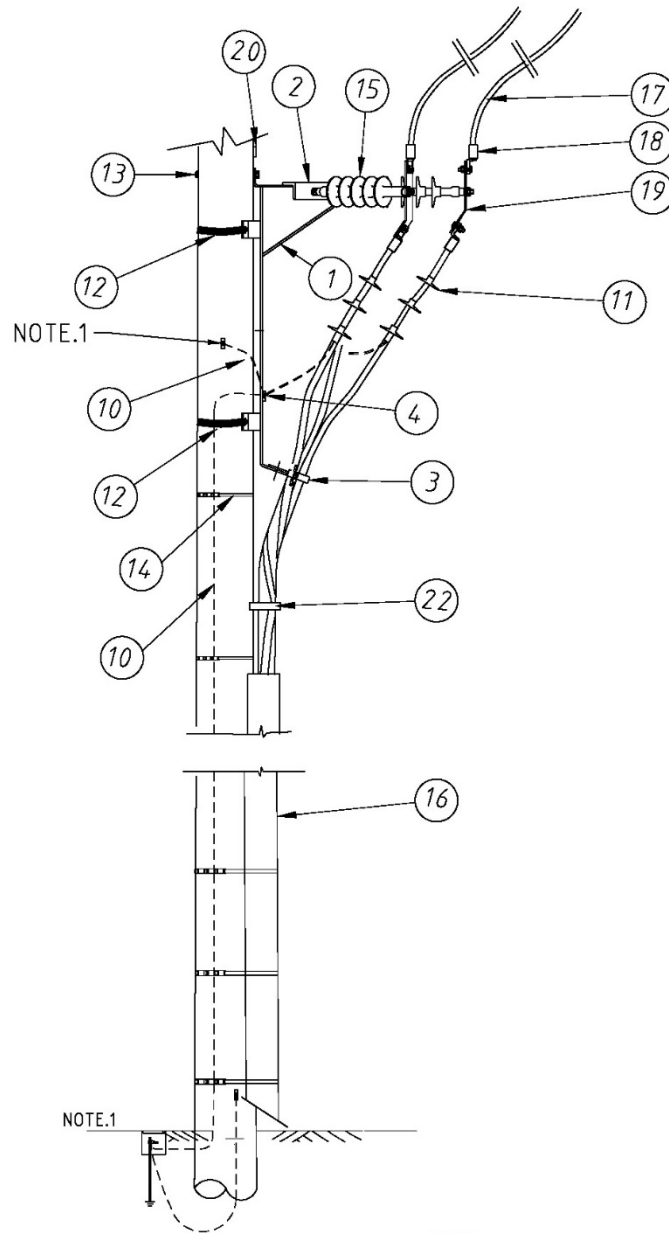
CU	CU DESCRIPTION
HU18_11	Cable Pole termination – 185 - 3 x 1c 11 kV

ITEM NUMBER	STOCK NUMBER	DESCRIPTION	QTY RQD	UNIT OF MEASURE	REMARKS
1	CB3017	cable term bracket	1	ea	
2	CB3035	arrester bracket	1	ea	
3	CB3106	cable clamp 185-400 mm	1	ea	
4	FL1465	earthing lug	5	ea	
10	EE1264	earth cable	12	mr	
11	FJH0417	Cable term. kit 22kV for 1C 185-400mm ² cable	3	ea	
12	OZ0012	Bandit Strap (15.8 mm) (not included in CU)	-	N/A	Truck item
13	AB4581	Pole Bolt (12 mm x 400 mm)	1	ea	Note 3
21	FM6312	cable saddle	4	ea	
14	OZ0008	Bandit Strap (12.7 mm) (not included in CU)	-	N/A	Truck item
15	GA4001	surge arrester	3	ea	
16	HT6321	cable protector	1	ea	
17	FT0150	150 ABC 3 m long	1	ea	
18	FL0402	150 ABC terminal lug	3	ea	
19	GF1592	connector plate	3	ea	
20	CZ5007	Phase Indicator Disc	1	ea	

PROTECTED

CU	CU DESCRIPTION
HU18_33	Cable Pole termination – 185 - 3 x 1c 33 kV

ITEM NUMBER	STOCK NUMBER	DESCRIPTION	QTY RQD	UNIT OF MEASURE	REMARKS
1	CB3017	cable term bracket	1	ea	
2	CB3035	arrester bracket	1	ea	
3	CB3106	cable clamp 185-400 mm	1	ea	
4	FL1465	earthing lug	5	ea	
10	EE1264	earth cable	12	mr	
11	FJH0424	Cable term. kit 33kV for 1C 150-400mm ² cable	3	ea	
12	OZ0012	Bandit Strap (15.8 mm) (not included in CU)	-	N/A	Truck item
13	AB4581	Pole Bolt (12 mm x 400 mm)	1	ea	Note 3
21	FM6312	cable saddle	4	ea	
14	OZ0008	Bandit Strap (12.7 mm) (not included in CU)	-	N/A	Truck item
15	GA4003	surge arrester	3	ea	
16	HT6321	cable protector	1	ea	
17	FT0150	150 ABC 3 m long	1	ea	
18	FL0402	150 ABC terminal lug	3	ea	
19	GF1592	connector plate	3	ea	
20	CZ5007	Phase Indicator Disc	1	ea	



LEGEND:
 EARTHING CABLE - - - - -

NOTE:
 1. EXCLUDES THE EARTHING STOCK NUMBERS
 SEE P019C

HORIZON POWER DISTRIBUTION DESIGN CATALOGUE OPERATIONS DIVISION	COMPATIBLE UNIT	REVISION 2	DATE 06/01/2021
	CABLE POLE TERMINATION 35 - 3 x 1 CORE	DRAWING No. HU19	

PROTECTED

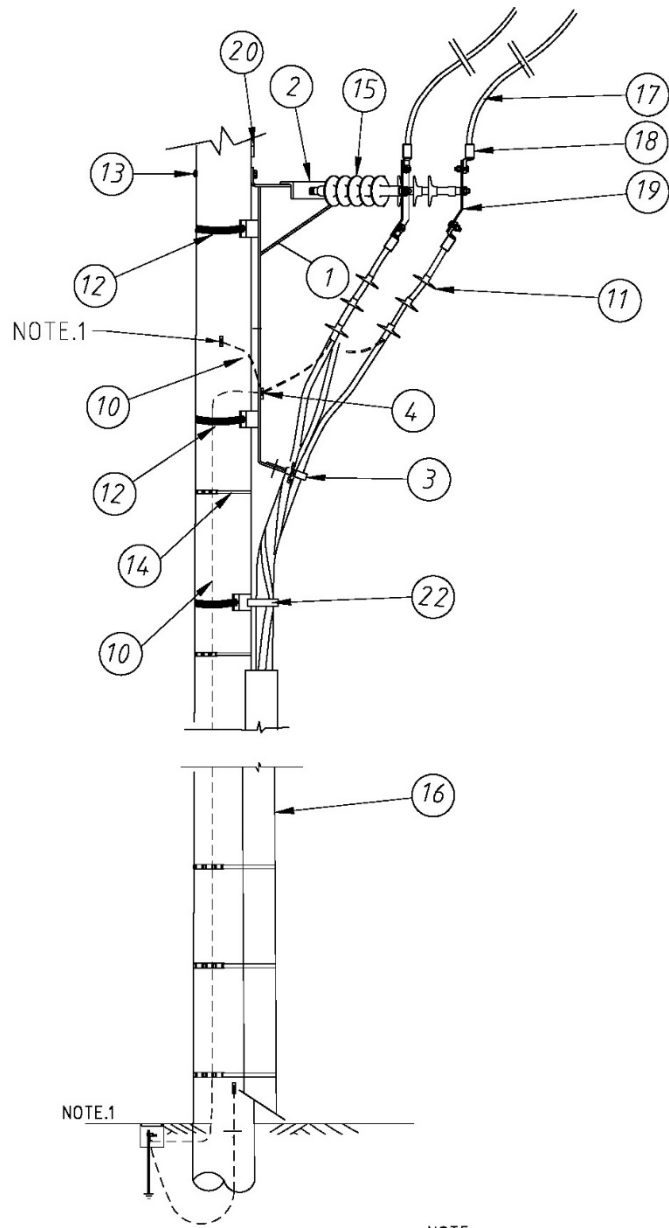
CU	CU DESCRIPTION
HU19	Cable Pole termination – 35 - 3 x 1c 22 kV

ITEM NUMBER	STOCK NUMBER	DESCRIPTION	QTY RQD	UNIT OF MEASURE	REMARKS
1	CB3017	cable term bracket	1	ea	
2	CB3035	arrester bracket	1	ea	
3	CB3105	cable clamp 35 mm	1	ea	
4	FL1465	earthing lug	5	ea	
10	EE1264	earth cable	12	mr	
11	FJH0415	cable termination kit	3	ea	
12	OZ0012	Bandit Strap (15.8 mm) (not included in CU)	-	N/A	Truck item
13	AB4581	Pole Bolt (12 mm x 400 mm)	1	ea	Note 3
22	FM6310	cable saddle	4	ea	
14	OZ0008	Bandit Strap (12.7 mm) (not included in CU)	-	N/A	Truck item
15	GA4002	surge arrester	3	ea	
16	HT6321	cable protector	1	ea	
17	FT0095	95 ABC 4 m long	1	ea	
18	FL0401	terminal lug 95 ABC	3	ea	
19	GF1592	connector plate	3	ea	
20	CZ5007	Phase Indicator Disc	1	ea	

PROTECTED

CU	CU DESCRIPTION
HU19_11	Cable Pole termination – 35 - 3 x 1c 11 kV

ITEM NUMBER	STOCK NUMBER	DESCRIPTION	QTY RQD	UNIT OF MEASURE	REMARKS
1	CB3017	cable term bracket	1	ea	
2	CB3035	arrester bracket	1	ea	
3	CB3105	cable clamp 35 mm	1	ea	
4	FL1465	earthing lug	5	ea	
10	EE1264	earth cable	12	mr	
11	FJH0415	cable termination kit	3	ea	
12	OZ0012	Bandit Strap (15.8 mm) (not included in CU)	-	N/A	Truck item
13	AB4581	Pole Bolt (12 mm x 400 mm)	1	ea	Note 3
22	FM6310	cable saddle	4	ea	
14	OZ0008	Bandit Strap (12.7 mm) (not included in CU)	-	N/A	Truck item
15	GA4001	surge arrester	3	ea	
16	HT6321	cable protector	1	ea	
17	FT0095	95 ABC 4 m long	1	ea	
18	FL0401	terminal lug 95 ABC	3	ea	
19	GF1592	connector plate	3	ea	
20	CZ5007	Phase Indicator Disc	1	ea	



LEGEND:
EARTHING CABLE - - - - -

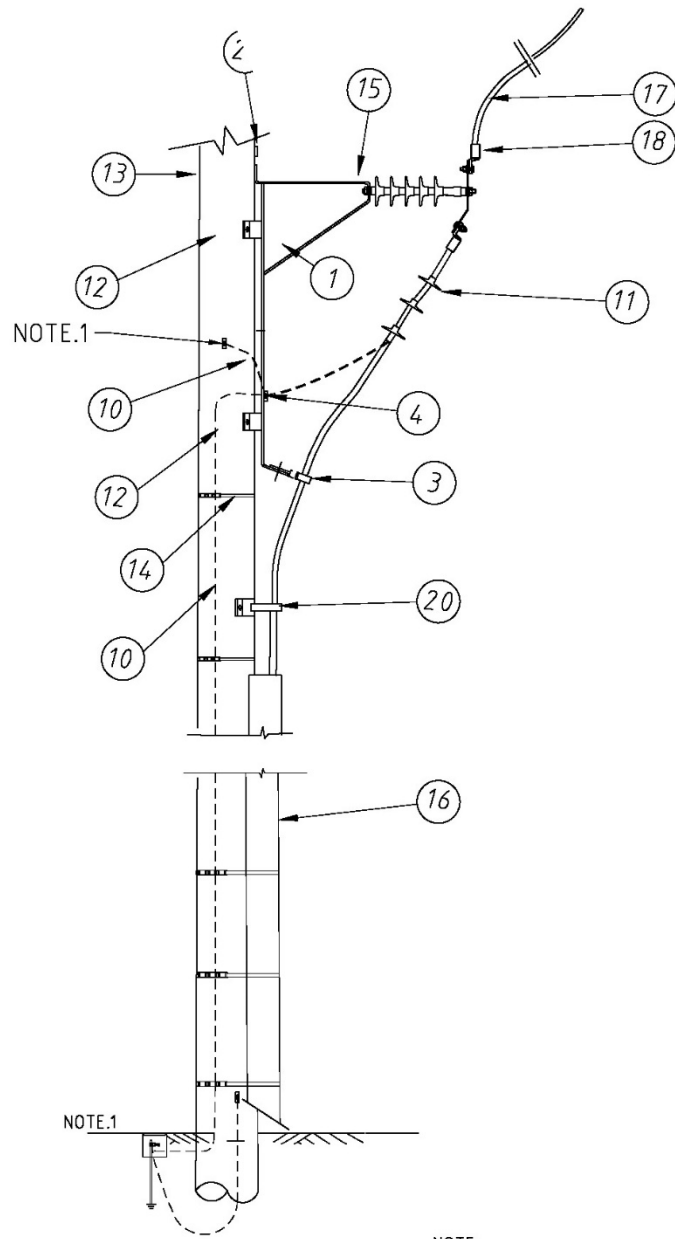
NOTE:
1. EXCLUDES THE EARTHING STOCK NUMBERS
SEE P019C

HORIZON POWER DISTRIBUTION DESIGN CATALOGUE OPERATIONS DIVISION	COMPATIBLE UNIT	REVISION 2	DATE 06/01/2021
	CABLE POLE TERMINATION 50 - 3 x 1 CORE	DRAWING No. HU20	

PROTECTED

CU	CU DESCRIPTION
HU20	Cable Pole termination –50 - 3 x 1c 33 kV

ITEM NUMBER	STOCK NUMBER	DESCRIPTION	QTY RQD	UNIT OF MEASURE	REMARKS
1	CB3017	cable term bracket	1	ea	
2	CB3035	arrester bracket	1	ea	
3	CB3104	cable clamp 95 mm	1	ea	
4	FL1465	earthing lug	5	ea	
10	EE1264	earth cable	12	mr	
11	FJH0423	cable termination kit	3	ea	
12	OZ0012	Bandit Strap (15.8 mm) (not included in CU)	-	N/A	Truck item
13	AB4581	Pole Bolt (12 mm x 400 mm)	1	ea	Note 3
22	FM6308	cable saddle	4	ea	
14	OZ0008	Bandit Strap (12.7 mm) (not included in CU)	-	N/A	Truck item
15	GA4003	surge arrester	3	ea	
16	HT6321	cable protector	1	ea	
17	FT0095	95 ABC 4 m long	1	ea	
18	FL0401	terminal lug 95 ABC	3	ea	
19	GF1592	connector plate	3	ea	
20	CZ5007	Phase Indicator Disc	1	ea	



LEGEND:
EARTHING CABLE - - - - -

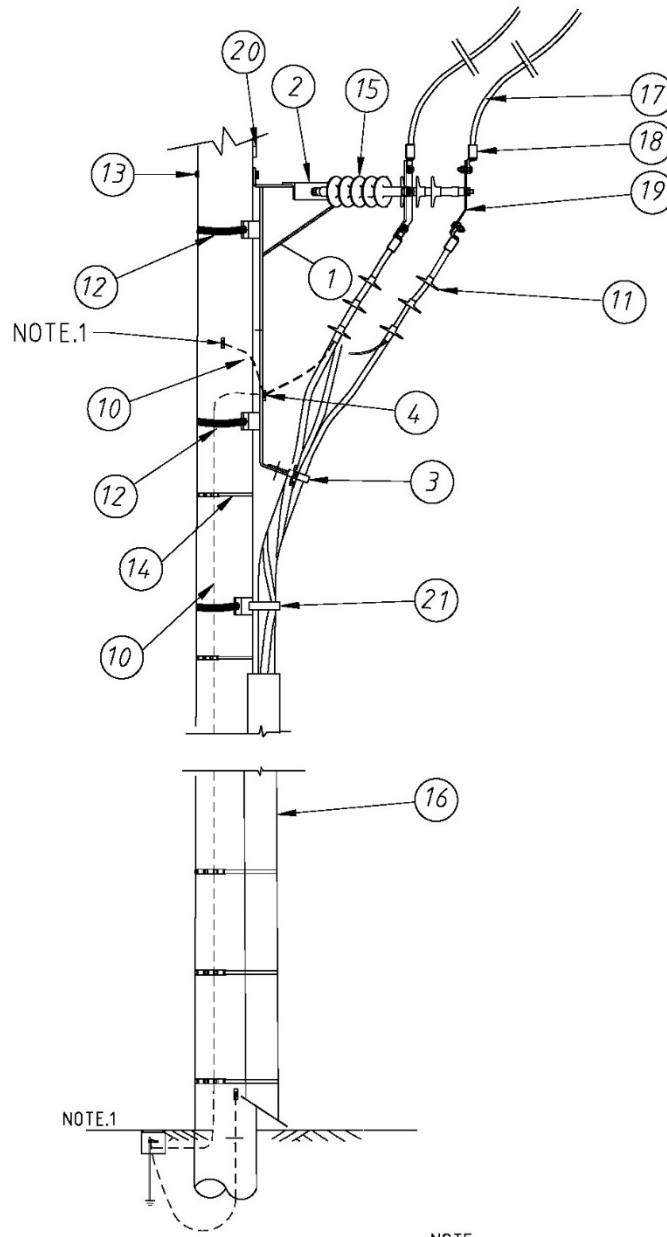
NOTE:
1. EXCLUDES THE EARTHING STOCK NUMBERS
SEE P019C

HORIZON POWER DISTRIBUTION DESIGN CATALOGUE OPERATIONS DIVISION	COMPATIBLE UNIT	REVISION 2	DATE 06/01/2021
	CABLE POLE TERMINATION TERMINATION 50 - 1x1 CORE	DRAWING No. HU20-1P	

PROTECTED

CU	CU DESCRIPTION
HU20_1P	Cable Pole termination –50 - 1 x 1c 33 kV

ITEM NUMBER	STOCK NUMBER	DESCRIPTION	QTY RQD	UNIT OF MEASURE	REMARKS
1	CB3017	cable term bracket	1	ea	
3	CB3108	cable clamp 50 mm	1	ea	
4	FL1465	earthing lug	3	ea	
10	EE1264	earth cable	12	mr	
11	FJH0423	cable termination kit	1	ea	
12	OZ0012	Bandit Strap (15.8 mm) (not included in CU)	-	N/A	Truck item
13	AB4581	Pole Bolt (12 mm x 400 mm)	1	ea	Note 3
20	FM6308	cable saddle	3	ea	
14	OZ0008	Bandit Strap (12.7 mm) (not included in CU)	-	N/A	Truck item
15	GA4003	surge arrester	1	ea	
16	HT6320	cable protector	1	ea	
17	FT0095	95 ABC 4 m long	1	ea	
18	FL0401	terminal lug 95 ABC	1	ea	
19	GF1592	connector plate	1	ea	



NOTE.1

NOTE.1

LEGEND:

EARTHING CABLE - - - - -

NOTE:

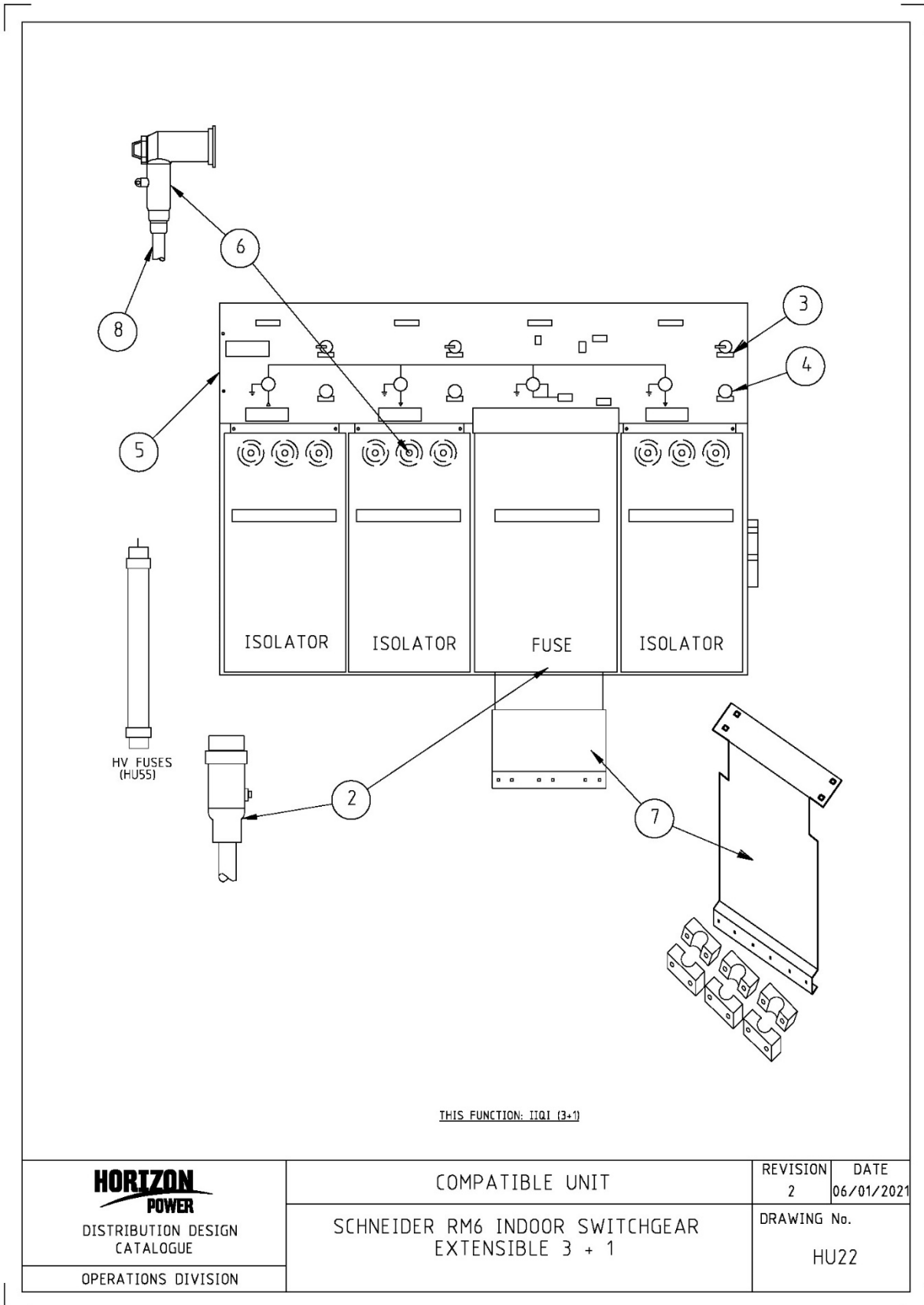
1. EXCLUDES THE EARTHING STOCK NUMBERS
SEE P019C

HORIZON POWER DISTRIBUTION DESIGN CATALOGUE OPERATIONS DIVISION	COMPATIBLE UNIT	REVISION 2	DATE 06/01/2021
	CABLE POLE TERMINATION 240 - 3 x 1 CORE	DRAWING No. HU21	

PROTECTED

CU	CU DESCRIPTION
HU21	Cable Pole termination – 240 - 3 x 1c 22 kV

ITEM NUMBER	STOCK NUMBER	DESCRIPTION	QTY RQD	UNIT OF MEASURE	REMARKS
1	CB3017	cable term bracket	1	ea	
2	CB3035	arrester bracket	1	ea	
3	CB3106	cable clamp 185-400 mm	1	ea	
4	FL1465	earthing lug	5	ea	
10	EE1264	earth cable	12	mr	
11	FJH0417	cable termination kit	3	ea	
12	OZ0012	Bandit Strap (15.8 mm) (not included in CU)	0	N/A	Truck item
13	AB4581	Pole Bolt (12 mm x 400 mm)	1	ea	Note 3
21	FM6312	cable saddle	4	ea	
14	OZ0008	Bandit Strap (12.7 mm) (not included in CU)	0	N/A	Truck item
15	GA4002	surge arrester	3	ea	
16	HT6321	cable protector	1	ea	
17	FT0150	150 ABC 3 m long	1	ea	
18	FL0402	150 ABC terminal lug	3	ea	
19	GF1592	connector plate	3	ea	
20	CZ5007	Phase Indicator Disc	1	ea	



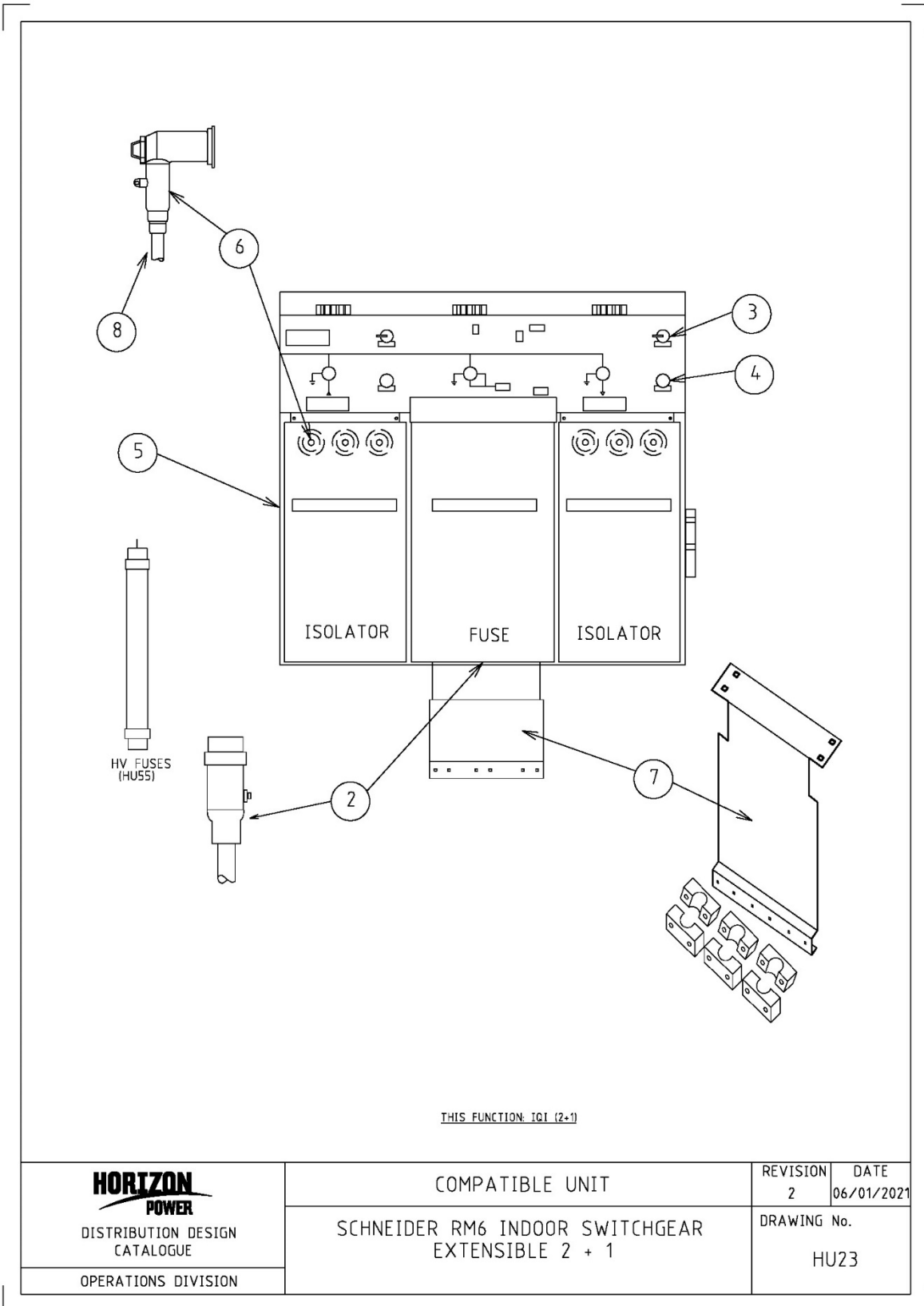
PROTECTED

CU	CU DESCRIPTION
HU22_400	Switchgear 3+1 indoor extensible – 185-400 mm ² cable

ITEM NUMBER	STOCK NUMBER	DESCRIPTION	QTY RQD	UNIT OF MEASURE	REMARKS
2	FC0317	straight connector	1	ea	
3	OH0211	padlock	4	ea	
4	OH0194	padlock	4	ea	
5	XA2623	switchgear 3+1	1	ea	
6	FCH0294	Elbow 185-400 mm ² (set of 3)	3	ea	
7	XA2664	Fuse switch cable support	1	ea	
8	FE0044	Insulation sleeving	3	ea	

CU	CU DESCRIPTION
HU22_A400	Switchgear 3+1 indoor extensible – 185-400 mm ² cable - motorised

ITEM NUMBER	STOCK NUMBER	DESCRIPTION	QTY RQD	UNIT OF MEASURE	REMARKS
2	FC0317	straight connector	1	ea	
3	OH0211	padlock	4	ea	
4	OH0194	padlock	4	ea	
5	XA2633	switchgear 2+1, motorised	1	ea	
6	FCH0294	Elbow 185-400 mm ² (set of 3)	3	ea	
7	XA2664	Fuse switch cable support	1	ea	
8	FE0044	Insulation sleeving	3	ea	



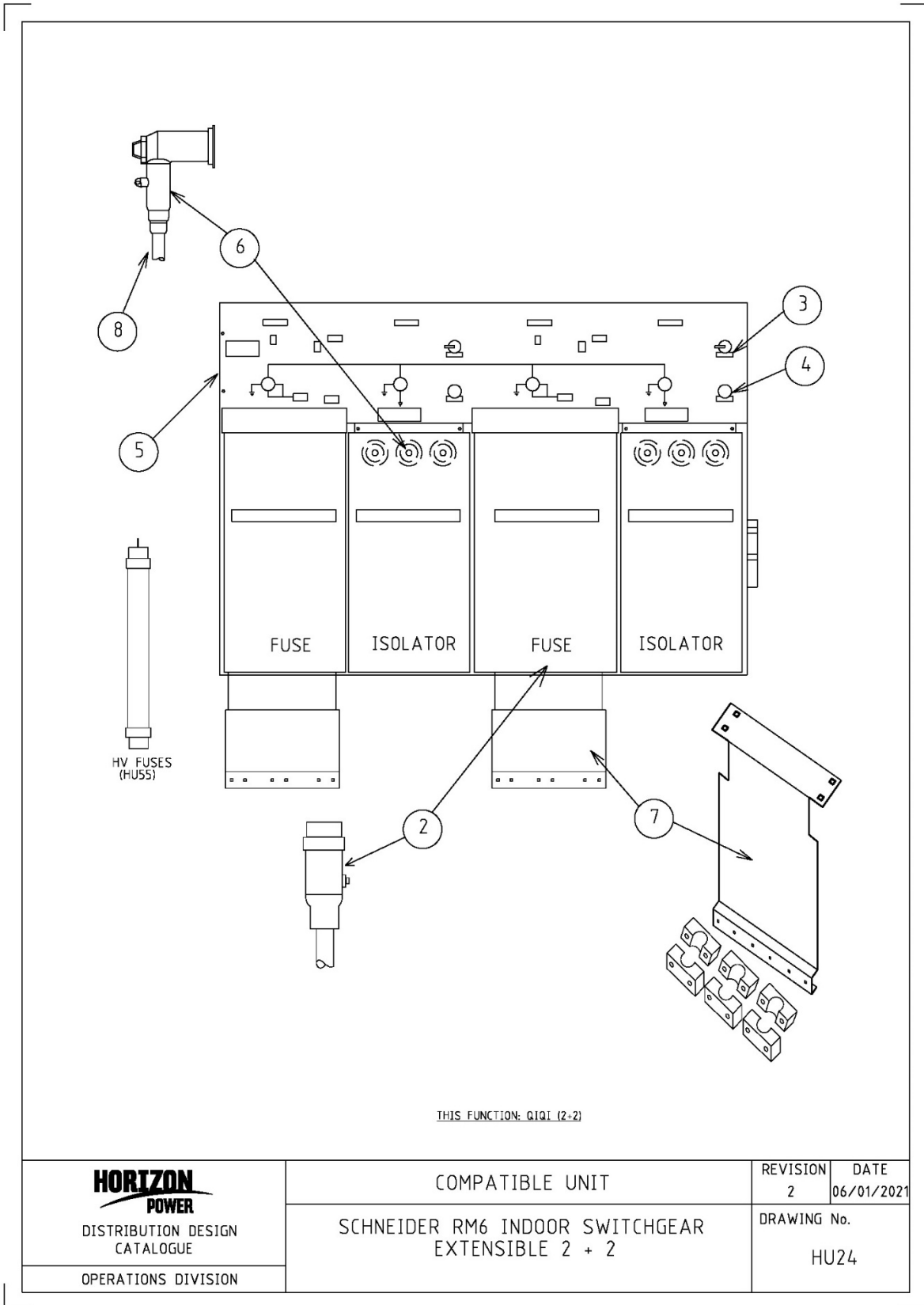
PROTECTED

CU	CU DESCRIPTION
HU23_400	Switchgear 2+1 indoor extensible – 185-400 mm ² cable

ITEM NUMBER	STOCK NUMBER	DESCRIPTION	QTY RQD	UNIT OF MEASURE	REMARKS
2	FC0317	straight connector	1	ea	
3	OH0211	padlock	3	ea	
4	OH0194	padlock	3	ea	
5	XA2621	switchgear 2+1	1	ea	
6	FCH0294	Elbow 185-400 mm ² (set of 3)	2	ea	
7	XA2664	Fuse switch cable support	1	ea	
8	FE0044	Insulation sleeving	3	ea	

CU	CU DESCRIPTION
HU23_A400	Switchgear 2+1 indoor extensible – 185-400 mm ² cable - motorised

ITEM NUMBER	STOCK NUMBER	DESCRIPTION	QTY RQD	UNIT OF MEASURE	REMARKS
2	FC0317	straight connector	1	ea	
3	OH0211	Padlock	3	ea	
4	OH0194	Padlock	3	ea	
5	XA2631	switchgear 2+1, right ext, motorised	1	ea	
6	FCH0294	Elbow 185-400 mm ² (set of 3)	2	ea	
7	XA2664	Fuse switch cable support	1	ea	
8	FE0044	Insulation sleeving	3	ea	



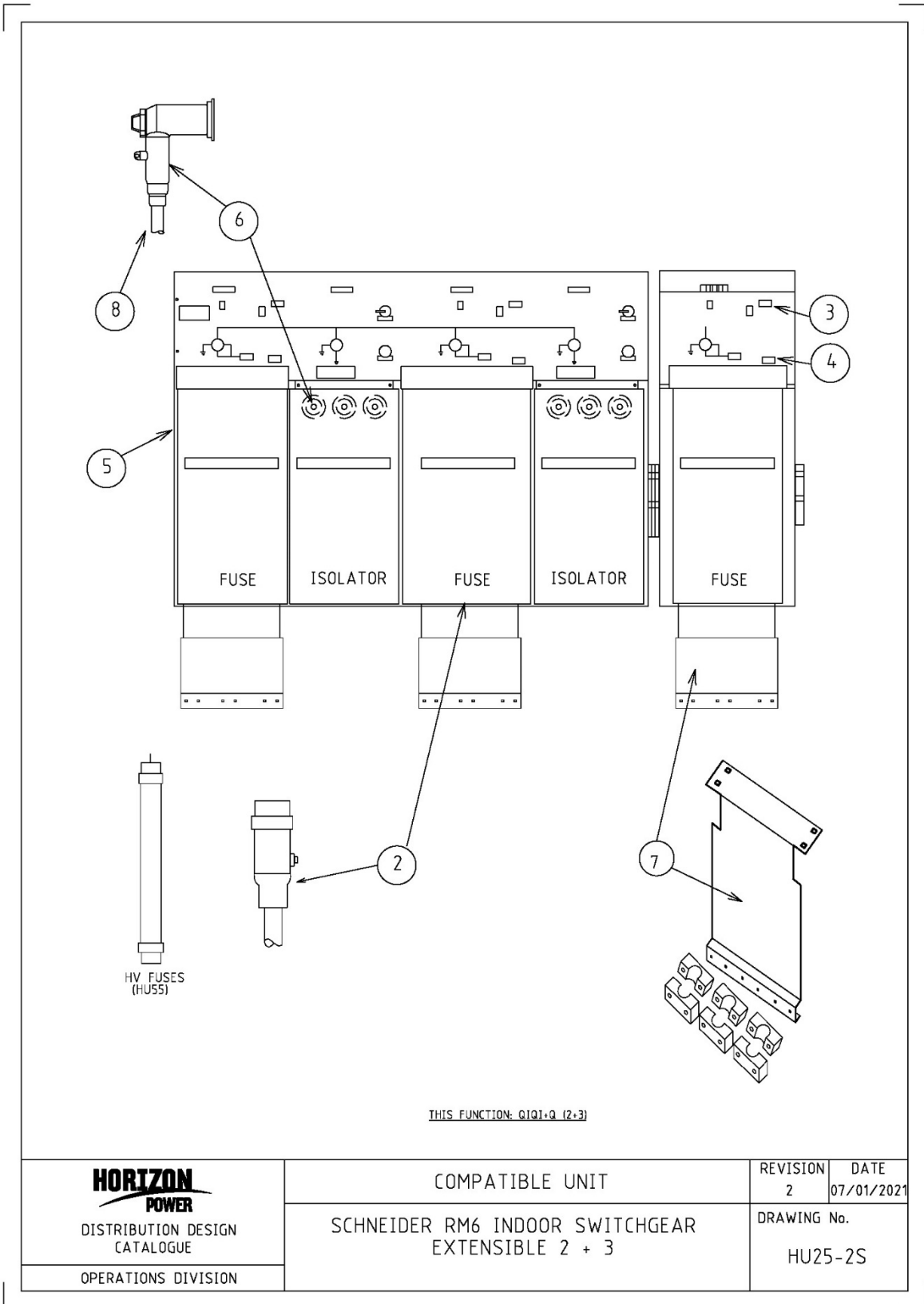
PROTECTED

CU	CU DESCRIPTION
HU24_400	Switchgear 2+2 indoor extensible – 185-400 mm ² cable

ITEM NUMBER	STOCK NUMBER	DESCRIPTION	QTY RQD	UNIT OF MEASURE	REMARKS
2	FC0317	straight connector	2	ea	
3	OH0211	padlock	4	ea	
4	OH0194	padlock	4	ea	
5	XA2624	switchgear 2+2	1	ea	
6	FCH0294	Elbow 185-400 mm ² (set of 3)	2	ea	
7	XA2664	Fuse switch cable support	2	ea	
8	FE0044	Insulation sleeving	6	ea	

CU	CU DESCRIPTION
HU24_A400	Switchgear 2+2 indoor extensible – 185-400 mm ² cable - motorised

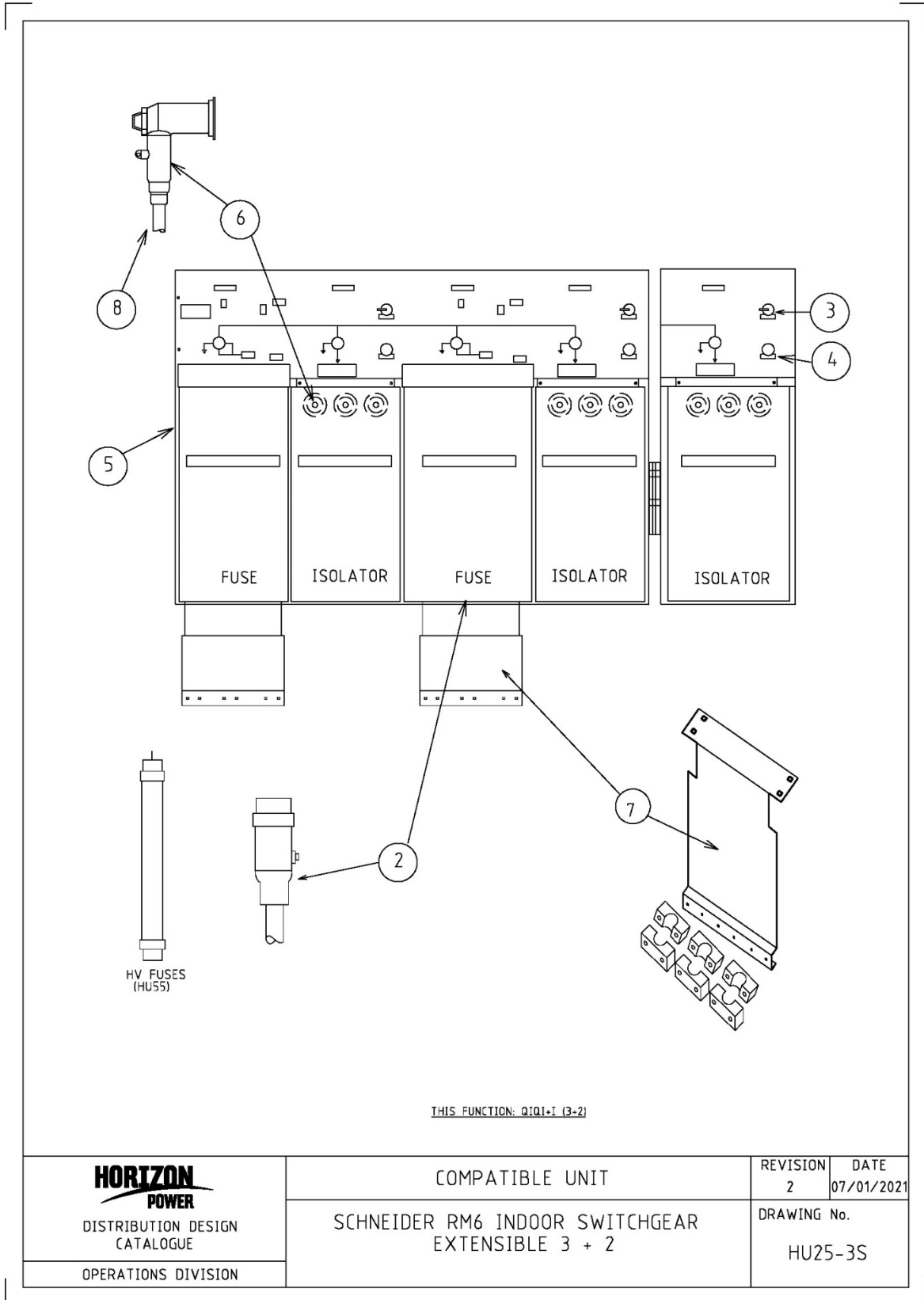
ITEM NUMBER	STOCK NUMBER	DESCRIPTION	QTY RQD	UNIT OF MEASURE	REMARKS
2	FC0317	straight connector	2	ea	
3	OH0211	Padlock	4	ea	
4	OH0194	Padlock	4	ea	
5	XA2634	switchgear 2+2, motorised	1	ea	
6	FCH0294	Elbow 185-400 mm ² (set of 3)	2	ea	
7	XA2664	Fuse switch cable support	2	ea	
8	FE0044	Insulation sleeving	6	ea	



PROTECTED

CU	CU DESCRIPTION
HU25_2S_400	Switchgear 2+3 indoor non extensible – 185-400 mm ² cable

ITEM NUMBER	STOCK NUMBER	DESCRIPTION	QTY RQD	UNIT OF MEASURE	REMARKS
2	FC0317	straight connector	3	ea	
3	OH0211	Padlock	5	ea	
4	OH0194	Padlock	5	ea	
5	XA2625	Switchgear 2+3, non extensible	1	ea	Note 1
6	FCH0294	Elbow 185-400 mm ² (set of 3)	2	ea	
7	XA2664	Fuse switch cable support	3	ea	
8	FE0044	Insulation sleeving	9	ea	

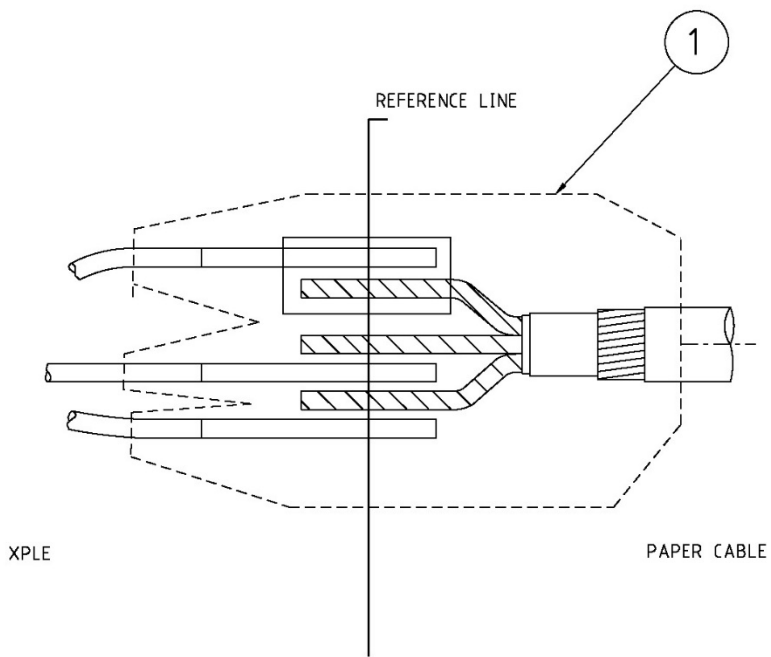


HORIZON POWER DISTRIBUTION DESIGN CATALOGUE OPERATIONS DIVISION	COMPATIBLE UNIT	REVISION 2	DATE 07/01/2021
	SCHNEIDER RM6 INDOOR SWITCHGEAR EXTENSIBLE 3 + 2	DRAWING No. HU25-3S	

PROTECTED

CU	CU DESCRIPTION
HU25_3S_400	Switchgear 3+2 indoor non extensible – 185-400 mm ² cable

ITEM NUMBER	STOCK NUMBER	DESCRIPTION	QTY RQD	UNIT OF MEASURE	REMARKS
2	FC0317	straight connector	2	ea	
3	OH0211	Padlock	5	ea	
4	OH0194	Padlock	5	ea	
5	XA2626	Switchgear 3+2, non extensible	1	ea	Note 1
6	FCH0294	Elbow 185-400 mm ² (set of 3)	3	ea	
7	XA2664	Fuse switch cable support	2	ea	
8	FE0044	Insulation sleeving	6	ea	

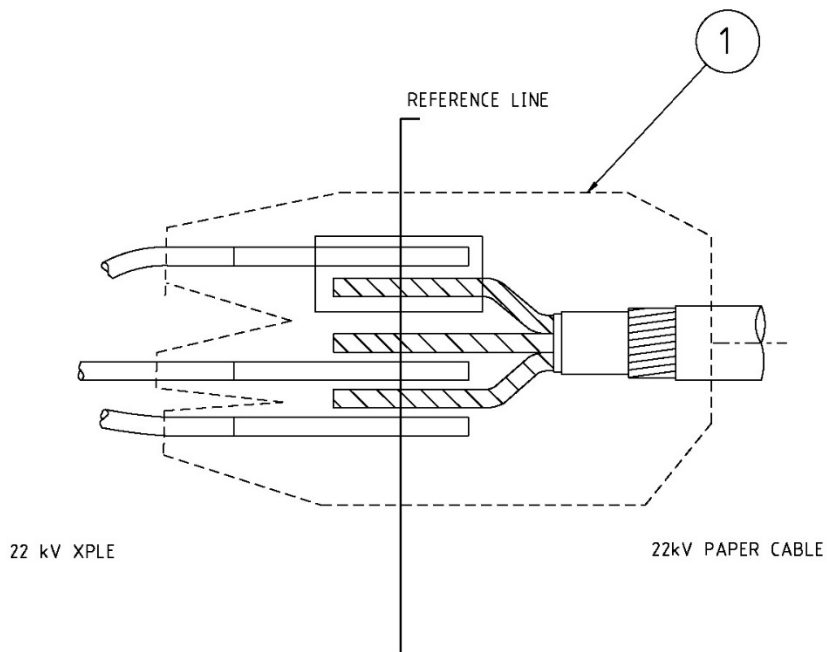


HORIZON POWER DISTRIBUTION DESIGN CATALOGUE OPERATIONS DIVISION	COMPATIBLE UNIT	REVISION 2	DATE 07/01/2021
	TRANSITION JOINT 50PILSWA - 35XLPE 3 x 1c	DRAWING No. HU28	

PROTECTED

CU	CU DESCRIPTION
HU28	Transition joint – 50 PILSWA to 35 XLPE - 3 x 1c 22kV

ITEM NUMBER	STOCK NUMBER	DESCRIPTION	QTY RQD	UNIT OF MEASURE	REMARKS
1	FJH0338	Joint kit, Transition	1	kit	
1	FJ0631	Termite protection kit	3	ea	



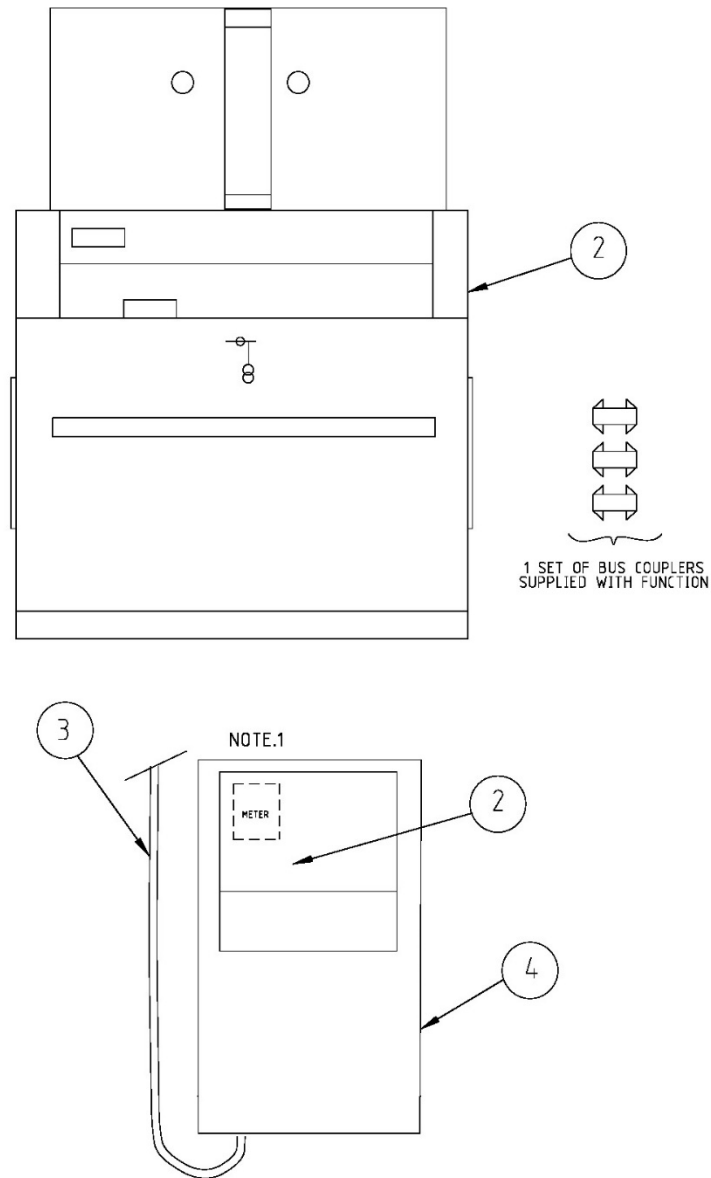
NOTE.
22kV TRANSITION JOINTS USED FOR 11kV CABLE

HORIZON POWER DISTRIBUTION DESIGN CATALOGUE OPERATIONS DIVISION	COMPATIBLE UNIT	REVISION 2	DATE 07/01/2021
	TRANSITION JOINT FOR 22kV CABLE 185/240PILSWA - 185/240XLPE 3 x 1c	DRAWING No. HU29	

PROTECTED

CU	CU DESCRIPTION
HU29	Transition joint – 22 kV Cable 3C 185-240 PILC - 3 X 1C 185-400 XLPE

ITEM NUMBER	STOCK NUMBER	DESCRIPTION	QTY RQD	UNIT OF MEASURE	REMARKS
1	FJH0403	Joint kit, Transition	1	ea	
1	FJ0631	Termite protection kit	3	ea	



NOTE:
 1. EXCLUDES THE METER STOCK NUMBER SEE LM1
 THIS FUNCTION: M/U

HORIZON POWER DISTRIBUTION DESIGN CATALOGUE OPERATIONS DIVISION	COMPATIBLE UNIT	REVISION 2	DATE 07/01/2021
	SCHNEIDER HV INDOOR METERING	DRAWING No. HU40	

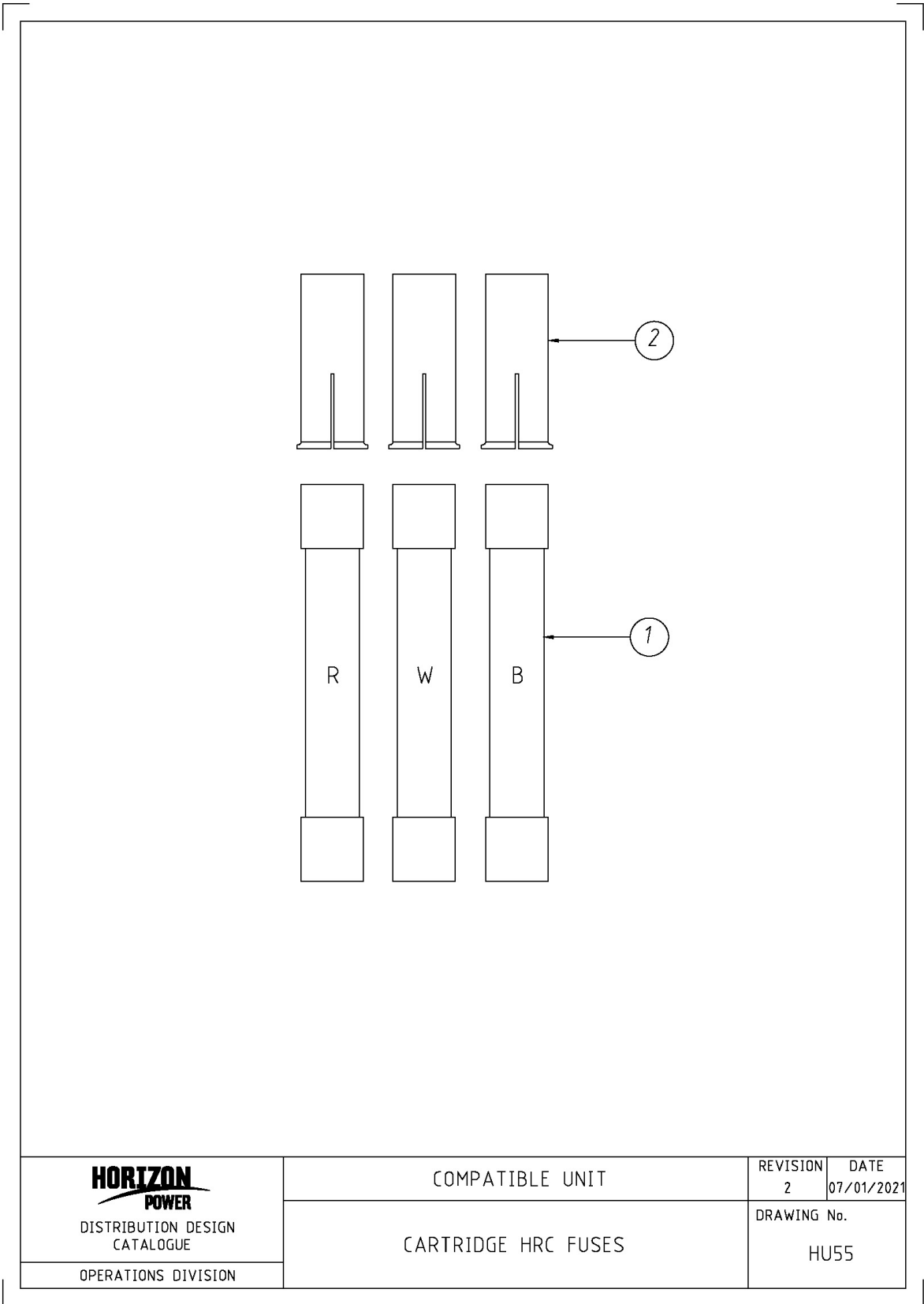
PROTECTED

CU	CU DESCRIPTION
HU40_11	Metering unit 11 kV

ITEM NUMBER	STOCK NUMBER	DESCRIPTION	QTY RQD	UNIT OF MEASURE	REMARKS
1	XA2641	11kV double extensible metering unit	1	ea	
2	HZ3333	metering panel	1	ea	
3	EE1653	secondary cable	15	m	
4	FB0850	mounting frame	1	ea	
5	CB3057	operating handle bracket	1	ea	
	OH0194	padlock	2	ea	

CU	CU DESCRIPTION
HU40_22	Metering unit 22 kV

ITEM NUMBER	STOCK NUMBER	DESCRIPTION	QTY RQD	UNIT OF MEASURE	REMARKS
1	XA2642	22kV double extensible metering unit	1	ea	
2	HZ3333	metering panel	1	ea	
3	EE1653	secondary cable	15	m	
4	FB0850	mounting frame	1	ea	
5	CB3057	operating handle bracket	1	ea	
	OH0194	padlock	2	ea	



HORIZON POWER DISTRIBUTION DESIGN CATALOGUE OPERATIONS DIVISION	COMPATIBLE UNIT	REVISION 2	DATE 07/01/2021
	CARTRIDGE HRC FUSES	DRAWING No. HU55	

PROTECTED

CU	CU DESCRIPTION
HU55_160_6	31.5 amp fuses 160 kVA / 6 kV

ITEM NUMBER	STOCK NUMBER	DESCRIPTION	QTY RQD	UNIT OF MEASURE	REMARKS
1	GF1303	fuse cartridge	3	ea	
2	XA2355	fuse extenders	1	set	

CU	CU DESCRIPTION
HU55_315_6	50 amp fuses 315 kVA / 6 kV

ITEM NUMBER	STOCK NUMBER	DESCRIPTION	QTY RQD	UNIT OF MEASURE	REMARKS
1	GF1282	fuse cartridge	3	ea	
2	XA2355	fuse extenders	1	set	

CU	CU DESCRIPTION
HU55_500_6	80 amp fuses 500 kVA / 6 kV

ITEM NUMBER	STOCK NUMBER	DESCRIPTION	QTY RQD	UNIT OF MEASURE	REMARKS
1	GF1240	fuse cartridge	3	ea	
2	XA2355	fuse extenders	1	set	

CU	CU DESCRIPTION
HU55_630_6	100 amp fuses 630 kVA / 6 kV

ITEM NUMBER	STOCK NUMBER	DESCRIPTION	QTY RQD	UNIT OF MEASURE	REMARKS
1	GF2107	fuse cartridge	3	ea	
2	XA2355	fuse extenders	1	set	

PROTECTED

CU	CU DESCRIPTION
HU55_1000_6	160 amp fuses 1000 kVA / 6 kV

ITEM NUMBER	STOCK NUMBER	DESCRIPTION	QTY RQD	UNIT OF MEASURE	REMARKS
1	GF2108	fuse cartridge	3	ea	
2	XA2355	fuse extenders	1	set	

CU	CU DESCRIPTION
HU55_160_11	25 amp fuses 160 kVA / 11 kV

ITEM NUMBER	STOCK NUMBER	DESCRIPTION	QTY RQD	UNIT OF MEASURE	REMARKS
1	GF1302	fuse cartridge	3	ea	
2	XA2355	fuse extenders	1	set	

CU	CU DESCRIPTION
HU55_315_11	31.5 amp fuses 315 kVA / 11 kV

ITEM NUMBER	STOCK NUMBER	DESCRIPTION	QTY RQD	UNIT OF MEASURE	REMARKS
1	GF1303	fuse cartridge	3	ea	
2	XA2355	fuse extenders	1	set	

CU	CU DESCRIPTION
HU55_500_11	40 amp fuses 500 kVA / 11 kV

ITEM NUMBER	STOCK NUMBER	DESCRIPTION	QTY RQD	UNIT OF MEASURE	REMARKS
1	GF1283	fuse cartridge	3	ea	
2	XA2355	fuse extenders	1	set	

PROTECTED

CU	CU DESCRIPTION
HU55_630_11	50 amp fuses 630 kVA / 11 kV

ITEM NUMBER	STOCK NUMBER	DESCRIPTION	QTY RQD	UNIT OF MEASURE	REMARKS
1	GF1282	fuse cartridge	3	ea	
2	XA2355	fuse extenders	1	set	

CU	CU DESCRIPTION
HU55_1000_11	80 amp fuses 1000 kVA / 11 kV

ITEM NUMBER	STOCK NUMBER	DESCRIPTION	QTY RQD	UNIT OF MEASURE	REMARKS
1	GF1240	fuse cartridge	3	ea	
2	XA2355	fuse extenders	1	set	

CU	CU DESCRIPTION
HU55_1500_11	125 amp fuses 1500 kVA / 11 kV

ITEM NUMBER	STOCK NUMBER	DESCRIPTION	QTY RQD	UNIT OF MEASURE	REMARKS
1	GF1301	fuse cartridge	3	ea	
2	XA2355	fuse extenders	1	set	

CU	CU DESCRIPTION
HU55_160_22	10 amp fuses 160 kVA / 22 kV

ITEM NUMBER	STOCK NUMBER	DESCRIPTION	QTY RQD	UNIT OF MEASURE	REMARKS
1	GF1304	fuse cartridge	3	ea	

PROTECTED

CU	CU DESCRIPTION
HU55_315_22	16 amp fuses 315 kVA / 22 kV

ITEM NUMBER	STOCK NUMBER	DESCRIPTION	QTY RQD	UNIT OF MEASURE	REMARKS
1	GF1650	fuse cartridge	3	ea	

CU	CU DESCRIPTION
HU55_500_22	25 amp fuses 500 kVA / 22 kV

ITEM NUMBER	STOCK NUMBER	DESCRIPTION	QTY RQD	UNIT OF MEASURE	REMARKS
1	GF1655	fuse cartridge	3	ea	

CU	CU DESCRIPTION
HU55_630_22	31.5 amp fuses 630 kVA / 22 kV

ITEM NUMBER	STOCK NUMBER	DESCRIPTION	QTY RQD	UNIT OF MEASURE	REMARKS
1	GF1305	fuse cartridge	3	ea	

CU	CU DESCRIPTION
HU55_1000_22	40 amp fuses 1000 kVA / 22 kV

ITEM NUMBER	STOCK NUMBER	DESCRIPTION	QTY RQD	UNIT OF MEASURE	REMARKS
1	GF1665	fuse cartridge	3	ea	

PROTECTED

CU	CU DESCRIPTION
HU55_160_33	6.3 amp fuses 160 kVA / 33 kV

ITEM NUMBER	STOCK NUMBER	DESCRIPTION	QTY RQD	UNIT OF MEASURE	REMARKS
1	GF2120	fuse link, cartridge – 6.3A;36kV, HRC	3	ea	

CU	CU DESCRIPTION
HU55_315_33	16 amp fuses 315 kVA / 33 kV

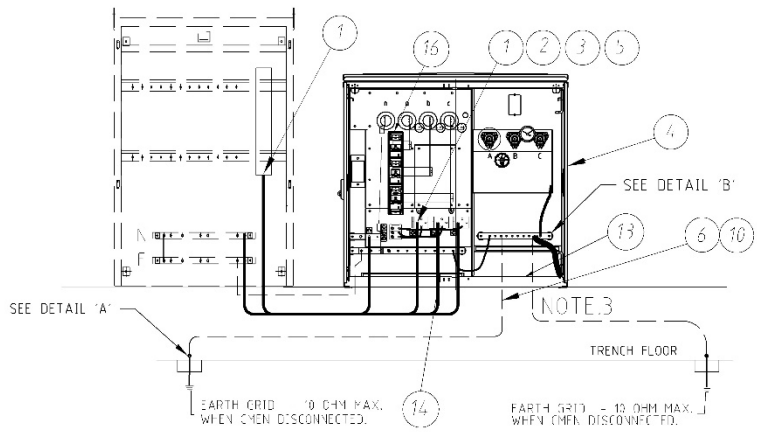
ITEM NUMBER	STOCK NUMBER	DESCRIPTION	QTY RQD	UNIT OF MEASURE	REMARKS
1	GF2118	Fuse link, cartridge – 16A;36kV, HRC	3	ea	

CU	CU DESCRIPTION
HU55_500_33	20 amp fuses 500/630 kVA / 33 kV

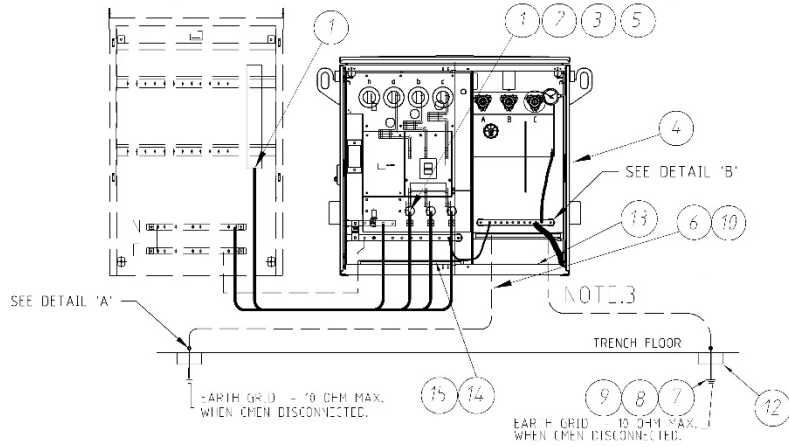
ITEM NUMBER	STOCK NUMBER	DESCRIPTION	QTY RQD	UNIT OF MEASURE	REMARKS
1	GF2117	Fuse link, cartridge – 20A; 36kV, HRC	3	ea	

CU	CU DESCRIPTION
HU55_1000_33	40 amp fuses 1000 kVA / 33 kV

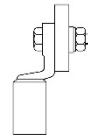
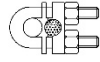
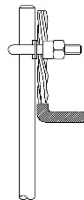
ITEM NUMBER	STOCK NUMBER	DESCRIPTION	QTY RQD	UNIT OF MEASURE	REMARKS
1	GF2116	Fuse link, cartridge – 40A;36kV, HRC	3	ea	



315kVA WITH FUSED CONNECTION
NON MPS WITHOUT HV SWITCHGEAR



630kVA, 1000kVA WITH CB CONNECTION
NON MPS WITHOUT HV SWITCHGEAR



DETAIL 'A' - EARTH STAKE CONNECTION

DETAIL 'B' - EARTH BAR CONNECTION

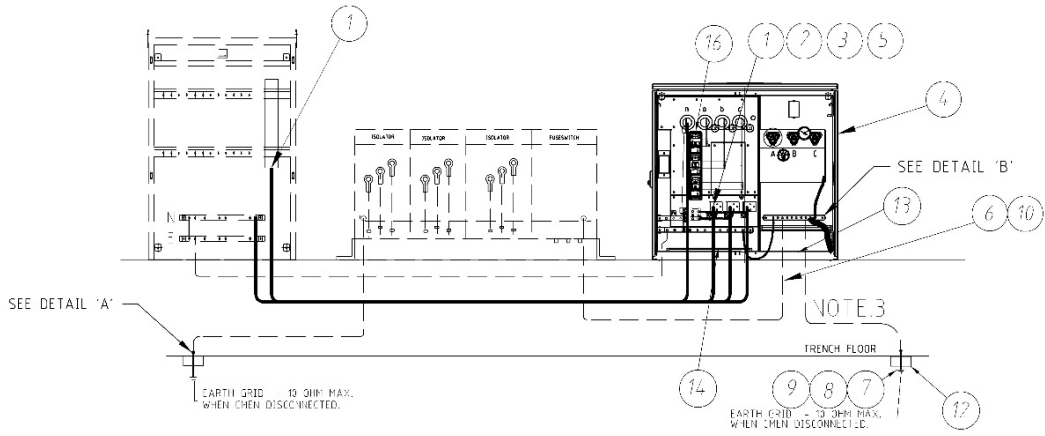
NOTE:

1. WHEN OPEN EARTH GRID IS CONNECTED COMBINED RESISTANCE OF 1 OHM OR LESS MUST BE ACHIEVED.
2. EXCLUDES EARTHING CONNECTION BAR SEE 36-12
3. EXCLUDES TRENCH COVER SUPPORT SEE 106-10.

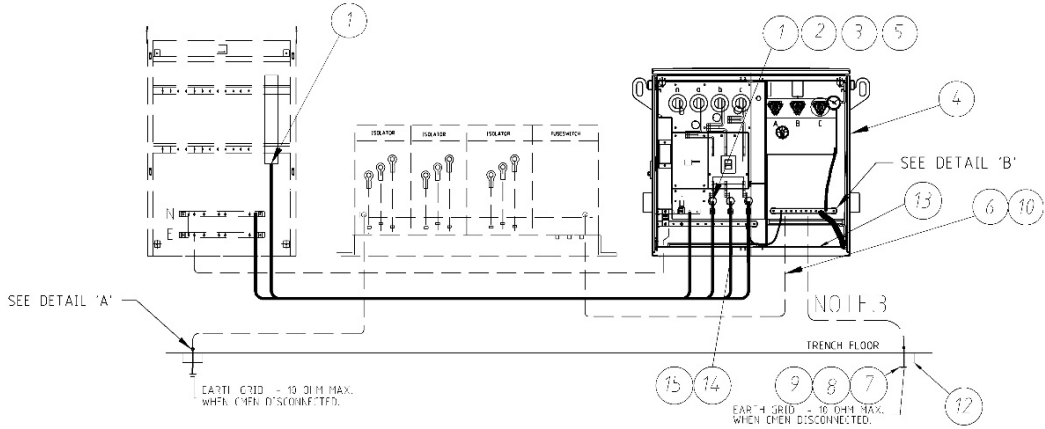
LEGEND:

EARTHING CABLE — — — —

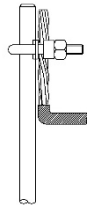
 DISTRIBUTION DESIGN CATALOGUE OPERATIONS DIVISION	COMPATIBLE UNIT	REVISION 3	DATE 14/07/2022
	315, 630, 1000kVA NON MPS TRANSFORMER DISTRICT INSIDE INSTALLATION	DRAWING No. HU59-1	



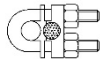
315kVA WITH FUSED CONNECTION
NON MPS WITH HV SWITCHGEAR



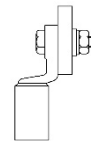
630kVA, 1000kVA WITH CB CONNECTION
NON MPS WITH HV SWITCHGEAR



DETAIL 'A' - EARTH STAKE CONNECTION



DETAIL 'B' - EARTH BAR CONNECTION



NOTE:

1. WHEN OPEN EARTH GRID IS CONNECTED COMBINED RESISTANCE OF 1.0 OHM OR LESS MUST BE ACHIEVED.
2. EXCLUDES EARTHING CONNECTION BAR SEE G6-12
3. EXCLUDES TRENCH COVER SUPPORT SEE G6-10.

LEGEND:

EARTHING CABLE - - - - -

 DISTRIBUTION DESIGN CATALOGUE OPERATIONS DIVISION	COMPATIBLE UNIT	REVISION 3	DATE 14/07/2022
	315, 630, 1000kVA NON MPS TRANSFORMER DISTRICT INSIDE INSTALLATION	DRAWING No. HU59-2	

PROTECTED

CU	CU DESCRIPTION
HU59_315_11	Non MPS District Inside 315/6-11 kV

ITEM NUMBER	STOCK NUMBER	DESCRIPTION	QTY RQD	UNIT OF MEASURE	REMARKS
1	N/A	Lugs for Cable Termination: Use LU16_400CU16 x 1 For Transformer side Use LU16_400CU12 x 1 For PENDA side	1	ea	
2	HT0181	PVC tape	3	ea	
3	ECH1076	Cable 400 sqmm 0.6/1kV CU XLPE 1 Core Termite Proof	50	m	
4	XA2445	315 kVA Non MPS – Tyree MKII	1	ea	
5	XT8009	cable clamp with nuts/washers	1	ea	
6	EE1264	conductor 70 mm pvc insulated copper green / yellow	25	m	
7	CE0135	earth rod	8	ea	
8	CE0058	earth clamp	2	ea	
9	CE0078	earth coupling	6	ea	
10	FL1465	earthing lug	10	ea	
12	CE0201	earth box	2	ea	
13	FM0200	Cable Clamp – Single 26-38mm	3	ea	
14	FM0201	Cable Clamp – Double 38-50mm	4	ea	
16	GF1103	500A Fuse Link	3	ea	
	OH0194	padlock	3	ea	

PROTECTED

CU	CU DESCRIPTION
HU59_630_11	Non MPS District Inside 630/6-11 kV

ITEM NUMBER	STOCK NUMBER	DESCRIPTION	QTY RQD	UNIT OF MEASURE	REMARKS
1	N/A	Lugs for Cable Termination: Use LU16_400CU16 x 1 For Transformer side Use LU16_400CU12 x 1 For PENDA side	1	ea	
2	HT0181	PVC tape	3	ea	
3	ECH1076	Cable 400 sqmm 0.6/1kV CU XLPE 1 Core Termite Proof	50	m	
4	XA2446	630 kVA Non MPS – Tyree MKII	1	ea	
5	XT8009	cable clamp with nuts/washers	1	ea	
6	EE1264	conductor 70 mm pvc insulated copper green / yellow	25	m	
7	CE0135	earth rod	8	ea	
8	CE0058	earth clamp	2	ea	
9	CE0078	earth coupling	6	ea	
10	FL1465	earthing lug	10	ea	
12	CE0201	earth box	2	ea	
13	FM0200	Cable Clamp – Single 26-38mm	3	ea	MV Cables
14	FM0201	Cable Clamp – Double 38-50mm	4	ea	Neutral Cable
	OH0194	padlock	3	ea	

CU	CU DESCRIPTION
HU59_1000_11	Non MPS District Inside 1000/6-11 kV

ITEM NUMBER	STOCK NUMBER	DESCRIPTION	QTY RQD	UNIT OF MEASURE	REMARKS
1	N/A	Lugs for Cable Termination: Use LU16_400CU16 x 2 For Transformer side Use LU16_400CU12 x 2 For PENDA side	1	ea	
2	HT0181	PVC tape	3	ea	
3	ECH1076	Cable 400 sqmm 0.6/1kV CU XLPE 1 Core Termite Proof	75	m	
4	XA2447	1000 kVA Non MPS – Tyree MKII	1	ea	
5	XT8009	cable clamp with nuts/washers	1	ea	
6	EE1264	conductor 70 mm pvc insulated copper green / yellow	25	m	
7	CE0135	earth rod	8	ea	

PROTECTED

ITEM NUMBER	STOCK NUMBER	DESCRIPTION	QTY RQD	UNIT OF MEASURE	REMARKS
8	CE0058	earth clamp	2	ea	
9	CE0078	earth coupling	6	ea	
10	FL1465	earthing lug	10	ea	
12	CE0201	earth box	2	ea	
13	FM0200	Cable Clamp – Single 26-38mm	3	ea	MV Cables
14	FM0201	Cable Clamp – Double 38-50mm	1	ea	Neutral Cable
15	FM0203	Cable Clamp – Triple 26-38mm	3	ea	LV Cables
	OH0194	padlock	3	ea	

CU	CU DESCRIPTION
HU59_315_22	Non MPS District Inside 315/22 kV

ITEM NUMBER	STOCK NUMBER	DESCRIPTION	QTY RQD	UNIT OF MEASURE	REMARKS
1	N/A	Lugs for Cable Termination: Use LU16_400CU16 x 1 For Transformer side Use LU16_400CU12 x 1 For PENDA side	1	ea	
2	HT0181	PVC tape	3	ea	
3	ECH1076	Cable 400 sqmm 0.6/1kV CU XLPE 1 Core Termite Proof	50	m	
4	XA2448	315 kVA Non MPS – Tyree MKII	1	ea	
5	XT8009	cable clamp with nuts/washers	1	ea	
6	EE1264	conductor 70 mm pvc insulated copper green / yellow	25	m	
7	CE0135	earth rod	8	ea	
8	CE0058	earth clamp	2	ea	
9	CE0078	earth coupling	6	ea	
10	FL1465	earthing lug	10	ea	
12	CE0201	earth box	2	ea	
13	FM0200	Cable Clamp – Single 26-38mm	3	ea	
14	FM0201	Cable Clamp – Double 38-50mm	4	ea	
16	GF1103	500A Fuse Link	3	ea	
	OH0194	padlock	3	ea	

PROTECTED

CU	CU DESCRIPTION
HU59_630_22	Non MPS District Inside 630/22 kV

ITEM NUMBER	STOCK NUMBER	DESCRIPTION	QTY RQD	UNIT OF MEASURE	REMARKS
1	N/A	Lugs for Cable Termination: Use LU16_400CU16 x 1 For Transformer side Use LU16_400CU12 x 1 For PENDA side	1	ea	
2	HT0181	PVC tape	3	ea	
3	ECH1076	Cable 400 sqmm 0.6/1kV CU XLPE 1 Core Termite Proof	50	m	
4	XA2449	630 kVA Non MPS – Tyree MKII	1	ea	
5	XT8009	cable clamp with nuts/washers	1	ea	
6	EE1264	conductor 70 mm pvc insulated copper green / yellow	25	m	
7	CE0135	earth rod	8	ea	
8	CE0058	earth clamp	2	ea	
9	CE0078	earth coupling	6	ea	
10	FL1465	earthing lug	10	ea	
12	CE0201	earth box	2	ea	
13	FM0200	Cable Clamp – Single 26-38mm	3	ea	
14	FM0201	Cable Clamp – Double 38-50mm	4	ea	
	OH0194	padlock	3	ea	

CU	CU DESCRIPTION
HU59_1000_22	Non MPS District Inside 1000/22 kV

ITEM NUMBER	STOCK NUMBER	DESCRIPTION	QTY RQD	UNIT OF MEASURE	REMARKS
1	N/A	Lugs for Cable Termination: Use LU16_400CU16 x 2 For Transformer side Use LU16_400CU12 x 2 For PENDA side	1	ea	
2	HT0181	PVC tape	3	ea	
3	ECH1076	Cable 400 sqmm 0.6/1kV CU XLPE 1 Core Termite Proof	75	m	
4	XA2450	1000 kVA Non MPS – Tyree MKII	1	ea	
5	XT8009	cable clamp with nuts/washers	1	ea	
6	EE1264	conductor 70 mm pvc insulated copper green / yellow	25	m	
7	CE0135	earth rod	8	ea	
8	CE0058	earth clamp	2	ea	

PROTECTED

ITEM NUMBER	STOCK NUMBER	DESCRIPTION	QTY RQD	UNIT OF MEASURE	REMARKS
9	CE0078	earth coupling	6	ea	
10	FL1465	earthing lug	10	ea	
12	CE0201	earth box	2	ea	
13	FM0200	Cable Clamp – Single 26-38mm	3	ea	MV Cables
14	FM0201	Cable Clamp – Double 38-50mm	1	ea	Neutral Cable
15	FM0203	Cable Clamp – Triple 26-38mm	3	ea	LV Cables
	OH0194	padlock	3	ea	

CU	CU DESCRIPTION
HU59_315_33	Non MPS District Inside 315/33 kV

ITEM NUMBER	STOCK NUMBER	DESCRIPTION	QTY RQD	UNIT OF MEASURE	REMARKS
1	N/A	Lugs for Cable Termination: Use LU16_400CU16 x 1 For Transformer side Use LU16_400CU12 x 1 For PENDA side	1	ea	
2	HT0181	PVC tape	3	ea	
3	ECH1076	Cable 400 sqmm 0.6/1kV CU XLPE 1 Core Termite Proof	50	m	
4	XA2451	315 kVA Non MPS – Tyree MKII	1	ea	
5	XT8009	cable clamp with nuts/washers	1	ea	
6	EE1264	conductor 70 mm pvc insulated copper green / yellow	25	m	
7	CE0135	earth rod	8	ea	
8	CE0058	earth clamp	2	ea	
9	CE0078	earth coupling	6	ea	
10	FL1465	earthing lug	10	ea	
12	CE0201	earth box	2	ea	
13	FM0200	Cable Clamp – Single 26-38mm	3	ea	
14	FM0201	Cable Clamp – Double 38-50mm	4	ea	
16	GF1103	500A Fuse Link	3	ea	
	OH0194	padlock	3	ea	

CU	CU DESCRIPTION
HU59_630_33	Non MPS District Inside 630/33 kV

PROTECTED

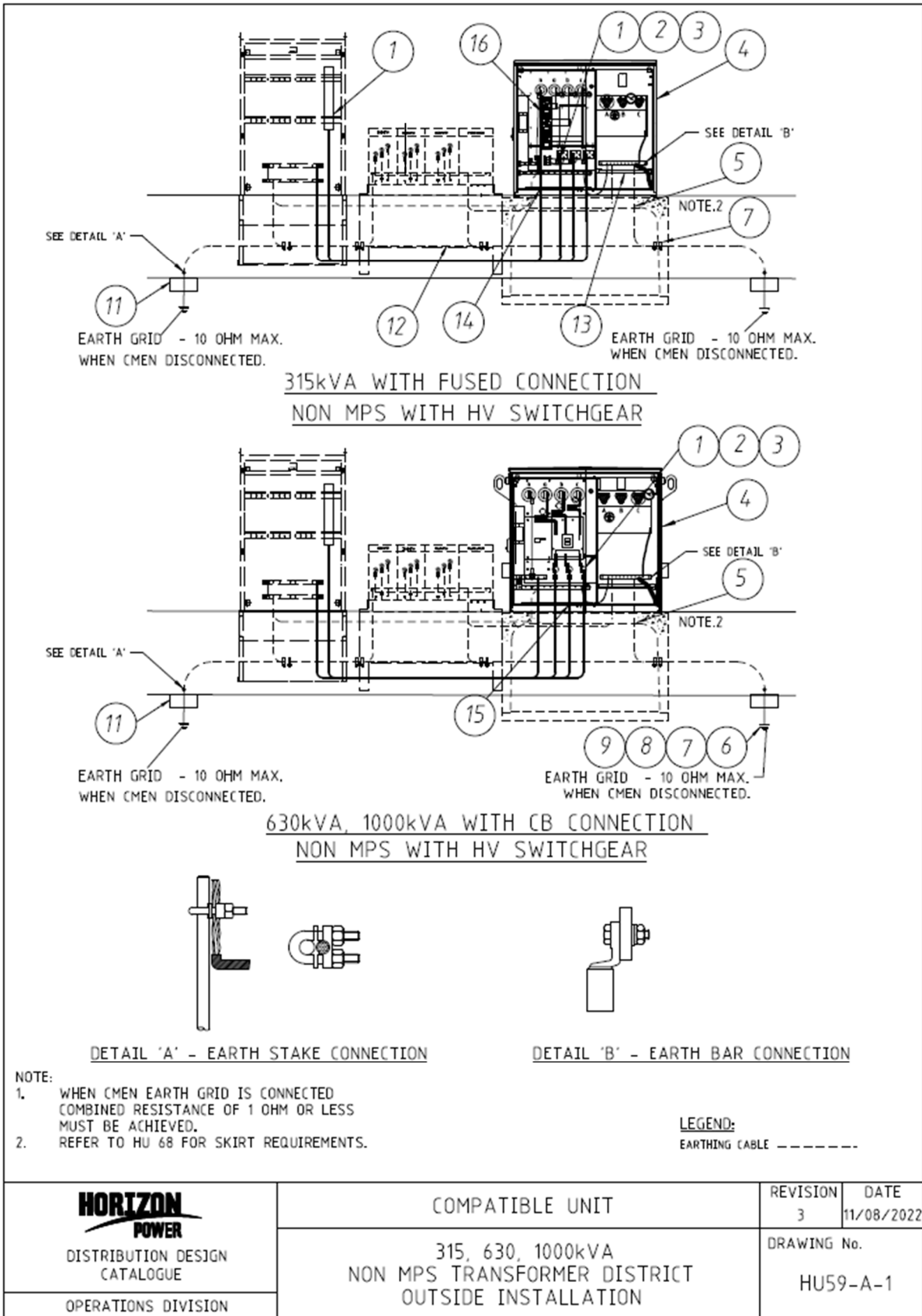
ITEM NUMBER	STOCK NUMBER	DESCRIPTION	QTY RQD	UNIT OF MEASURE	REMARKS
1	N/A	Lugs for Cable Termination: Use LU16_400CU16 x 1 For Transformer side Use LU16_400CU12 x 1 For PENDA side	1	ea	
2	HT0181	PVC tape	3	ea	
3	ECH1076	Cable 400 sqmm 0.6/1kV CU XLPE 1 Core Termite Proof	50	m	
4	XA2452	630 kVA Non MPS – Tyree MKII	1	ea	
5	XT8009	cable clamp with nuts/washers	1	ea	
6	EE1264	conductor 70 mm pvc insulated copper green / yellow	25	m	
7	CE0135	earth rod	8	ea	
8	CE0058	earth clamp	2	ea	
9	CE0078	earth coupling	6	ea	
10	FL1465	earthing lug	10	ea	
12	CE0201	earth box	2	ea	
13	FM0200	Cable Clamp – Single 26-38mm	3	ea	
14	FM0201	Cable Clamp – Double 38-50mm	4	ea	
	OH0194	padlock	3	ea	

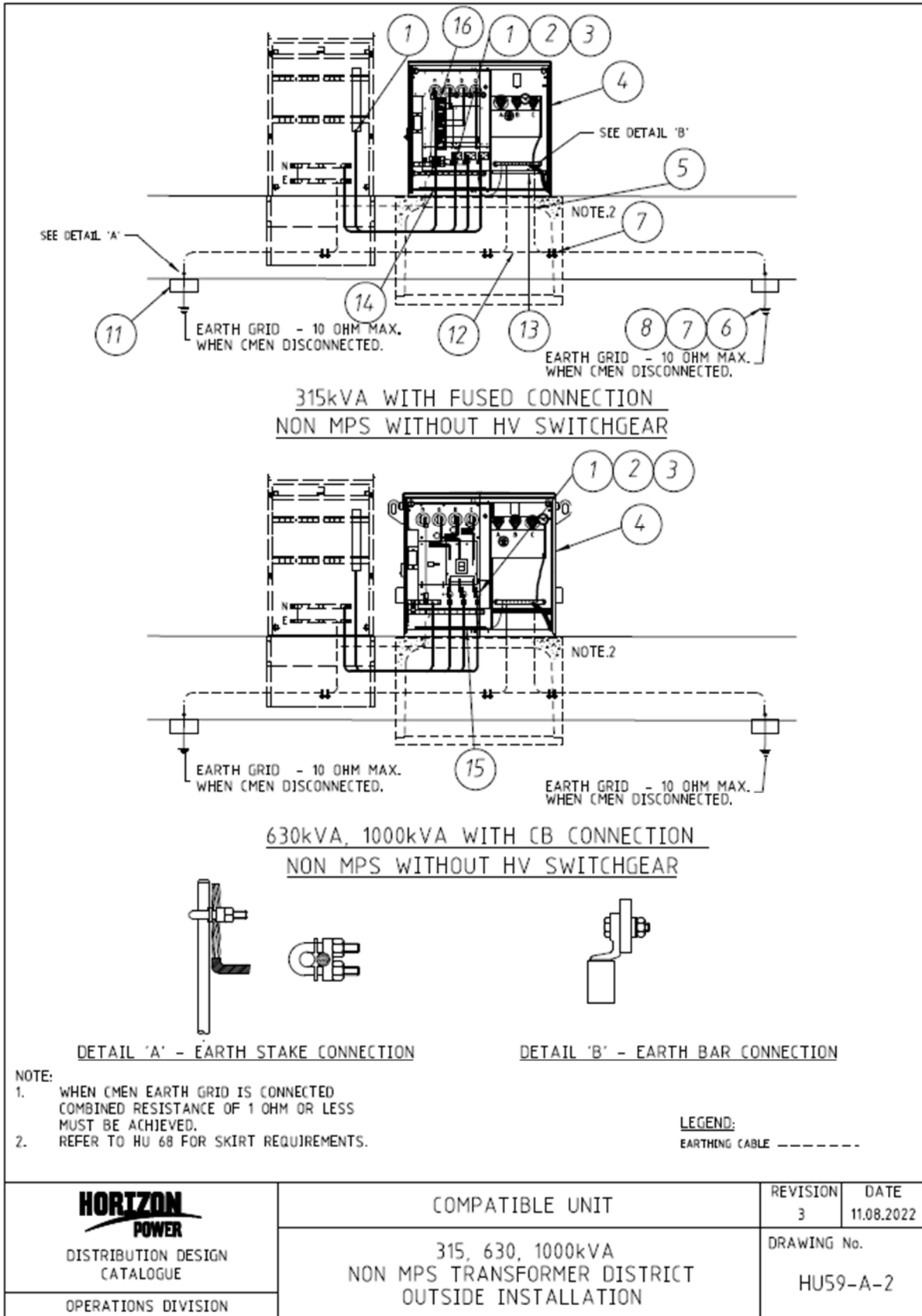
CU	CU DESCRIPTION
HU59_1000_33	Non MPS District Inside 1000/33 kV

ITEM NUMBER	STOCK NUMBER	DESCRIPTION	QTY RQD	UNIT OF MEASURE	REMARKS
1	N/A	Lugs for Cable Termination: Use LU16_400CU16 x 2 For Transformer side Use LU16_400CU12 x 2 For PENDA side	1	ea	
2	HT0181	PVC tape	3	ea	
3	ECH1076	Cable 400 sqmm 0.6/1kV CU XLPE 1 Core Termite Proof	75	m	
4	XA2453	1000 kVA Non MPS – Tyree MKII	1	ea	
5	XT8009	cable clamp with nuts/washers	1	ea	
6	EE1264	conductor 70 mm pvc insulated copper green / yellow	25	m	
7	CE0135	earth rod	8	ea	
8	CE0058	earth clamp	2	ea	
9	CE0078	earth coupling	6	ea	
10	FL1465	earthing lug	10	ea	
12	CE0201	earth box	2	ea	

PROTECTED

ITEM NUMBER	STOCK NUMBER	DESCRIPTION	QTY RQD	UNIT OF MEASURE	REMARKS
13	FM0200	Cable Clamp – Single 26-38mm	3	ea	MV Cables
14	FM0201	Cable Clamp – Double 38-50mm	1	ea	Neutral Cable
15	FM0203	Cable Clamp – Triple 26-38mm	3	ea	LV Cables
	OH0194	padlock	3	ea	





PROTECTED

CU	CU DESCRIPTION
HU59O_315_11	Non MPS District Outside 315/6-11 kV

ITEM NUMBER	STOCK NUMBER	DESCRIPTION	QTY RQD	UNIT OF MEASURE	REMARKS
1	N/A	Lugs for Cable Termination: Use LU16_400CU16 x 1 For Transformer side Use LU16_400CU12 x 1 For PENDA side	1	ea	
2	HT0181	PVC tape	3	ea	
3	ECH1076	Cable 400 sqmm 0.6/1kV CU XLPE 1 Core Termite Proof	50	m	
4	XA2445	315 kVA Non MPS – Tyree MKII	1	ea	
5	EE1264	conductor 70 mm pvc insulated copper green / yellow	5	m	
6	CE0135	earth rod	8	ea	
7	CE0058	earth clamp	6	ea	
8	CE0078	earth coupling	6	ea	
9	FL1465	earthing lug	6	ea	
11	CE0201	earth box	2	ea	
12		Select from HU69		m	Note 2
13	FM0200	Cable Clamp – Single 26-38mm	3	ea	MV Cables
14	FM0201	Cable Clamp – Double 38-50mm	4	ea	
16	GF1103	500A Fuse Link	3	ea	
	OH0194	padlock	2	ea	

PROTECTED

CU	CU DESCRIPTION
HU59O_630_11	Non MPS District Outside 630/6-11 kV

ITEM NUMBER	STOCK NUMBER	DESCRIPTION	QTY RQD	UNIT OF MEASURE	REMARKS
1	N/A	Lugs for Cable Termination: Use LU16_400CU16 x 1 For Transformer side Use LU16_400CU12 x 1 For PENDA side	1	ea	
2	HT0181	PVC tape	3	ea	
3	ECH1076	Cable 400 sqmm 0.6/1kV CU XLPE 1 Core Termite Proof	50	m	
4	XA2446	630 kVA Non MPS – Tyree MKII	1	ea	
5	EE1264	conductor 70 mm pvc insulated copper green / yellow	5	m	
6	CE0135	earth rod	8	ea	
7	CE0058	earth clamp	6	ea	
8	CE0078	earth coupling	6	ea	
9	FL1465	earthing lug	6	ea	
11	CE0201	earth box	2	ea	
12		Select from HU69		m	Note 2
13	FM0200	Cable Clamp – Single 26-38mm	3	ea	MV Cables
14	FM0201	Cable Clamp – Double 38-50mm	4	ea	
	OH0194	padlock	2	ea	

CU	CU DESCRIPTION
HU59O_1000_1	Non MPS District Outside 1000/6-11 kV

ITEM NUMBER	STOCK NUMBER	DESCRIPTION	QTY RQD	UNIT OF MEASURE	REMARKS
1	N/A	Lugs for Cable Termination: Use LU16_400CU16 x 2 For Transformer side Use LU16_400CU12 x 2 For PENDA side	1	ea	
2	HT0181	PVC tape	3	ea	
3	ECH1076	Cable 400 sqmm 0.6/1kV CU XLPE 1 Core Termite Proof	75	m	
4	XA2447	1000 kVA Non MPS -Tyree MKII	1	ea	
5	EE1264	conductor 70 mm pvc insulated copper green / yellow	5	m	
6	CE0135	earth rod	8	ea	
7	CE0058	earth clamp	6	ea	
8	CE0078	earth coupling	6	ea	

PROTECTED

ITEM NUMBER	STOCK NUMBER	DESCRIPTION	QTY RQD	UNIT OF MEASURE	REMARKS
9	FL1465	earthing lug	6	ea	
11	CE0201	earth box	2	ea	
12		Select from HU69		m	Note 2
13	FM0200	Cable Clamp – Single 26-38mm	3	ea	MV Cables
14	FM0201	Cable Clamp – Double 38-50mm	1	ea	Neutral Cable
15	FM0203	Cable Clamp - Triple 26-38mm	3	ea	LV Cables
	OH0194	padlock	2	ea	

CU	CU DESCRIPTION
HU59O_315_22	Non MPS District Outside 315/22 kV

ITEM NUMBER	STOCK NUMBER	DESCRIPTION	QTY RQD	UNIT OF MEASURE	REMARKS
1	N/A	Lugs for Cable Termination: Use LU16_400CU16 x 1 For Transformer side Use LU16_400CU12 x 1 For PENDA side	1	ea	
2	HT0181	PVC tape	3	ea	
3	ECH1076	Cable 400 sqmm 0.6/1kV CU XLPE 1 Core Termite Proof	50	m	
4	XA2448	315 kVA Non MPS – Tyree MKII	1	ea	
5	EE1264	conductor 70 mm pvc insulated copper green / yellow	5	m	
6	CE0135	earth rod	8	ea	
7	CE0058	earth clamp	6	ea	
8	CE0078	earth coupling	6	ea	
9	FL1465	earthing lug	6	ea	
11	CE0201	earth box	2	ea	
12		Select from HU69		m	Note 2
13	FM0200	Cable Clamp – Single 26-38mm	3	ea	
14	FM0201	Cable Clamp – Double 38-50mm	4	ea	
16	GF1103	500A Fuse Link	3	ea	
	OH0194	padlock	2	ea	

PROTECTED

CU	CU DESCRIPTION
HU59O_630_22	Non MPS District Outside 630/22 kV

ITEM NUMBER	STOCK NUMBER	DESCRIPTION	QTY RQD	UNIT OF MEASURE	REMARKS
1	N/A	Lugs for Cable Termination: Use LU16_400CU16 x 1 For Transformer side Use LU16_400CU12 x 1 For PENDA side	1	ea	
2	HT0181	PVC tape	3	ea	
3	ECH1076	Cable 400 sqmm 0.6/1kV CU XLPE 1 Core Termite Proof	50	m	
4	XA2449	630 kVA Non MPS – Tyree MKII	1	ea	
5	EE1264	conductor 70 mm pvc insulated copper green / yellow	5	m	
6	CE0135	earth rod	8	ea	
7	CE0058	earth clamp	6	ea	
8	CE0078	earth coupling	6	ea	
9	FL1465	earthing lug	6	ea	
11	CE0201	earth box	2	ea	
12		Select from HU69		m	Note 2
13	FM0200	Cable Clamp – Single 26-38mm	3	ea	MV Cables
14	FM0201	Cable Clamp – Double 38-50mm	4	ea	
	OH0194	padlock	2	ea	

CU	CU DESCRIPTION
HU59O_1000_2	Non MPS District Outside 1000/22 kV

ITEM NUMBER	STOCK NUMBER	DESCRIPTION	QTY RQD	UNIT OF MEASURE	REMARKS
1	N/A	Lugs for Cable Termination: Use LU16_400CU16 x 2 For Transformer side Use LU16_400CU12 x 2 For PENDA side	1	ea	
2	HT0181	PVC tape	3	ea	
3	ECH1076	Cable 400 sqmm 0.6/1kV CU XLPE 1 Core Termite Proof	75	m	
4	XA2450	1000 kVA Non MPS – Tyree MKII	1	ea	
5	EE1264	conductor 70 mm pvc insulated copper green / yellow	5	m	
6	CE0135	earth rod	8	ea	
7	CE0058	earth clamp	6	ea	
8	CE0078	earth coupling	6	ea	

PROTECTED

ITEM NUMBER	STOCK NUMBER	DESCRIPTION	QTY RQD	UNIT OF MEASURE	REMARKS
9	FL1465	earthing lug	6	ea	
11	CE0201	earth box	2	ea	
12		Select from HU69		m	Note 2
13	FM0200	Cable Clamp – Single 26-38mm	3	ea	MV Cables
14	FM0201	Cable Clamp – Double 38-50mm	1	ea	Neutral Cable
15	FM0203	Cable Clamp – Triple 26-38mm	3	ea	LV Cables
	OH0194	padlock	2	ea	

CU	CU DESCRIPTION
HU590_315_33	Non MPS District Outside 315/33 kV

ITEM NUMBER	STOCK NUMBER	DESCRIPTION	QTY RQD	UNIT OF MEASURE	REMARKS
1	N/A	Lugs for Cable Termination: Use LU16_400CU16 x 1 For Transformer side Use LU16_400CU12 x 1 For PENDA side	1	ea	
2	HT0181	PVC tape	3	ea	
3	ECH1076	Cable 400 sqmm 0.6/1kV CU XLPE 1 Core Termite Proof	50	m	
4	XA2451	315 kVA Non MPS – Tyree MKII	1	ea	
5	EE1264	conductor 70 mm pvc insulated copper green / yellow	5	m	
6	CE0135	earth rod	8	ea	
7	CE0058	earth clamp	6	ea	
8	CE0078	earth coupling	6	ea	
9	FL1465	earthing lug	6	ea	
11	CE0201	earth box	2	ea	
12		Select from HU69		m	Note 2
13	FM0200	Cable Clamp – Single 26-38mm	3	ea	MV Cables
14	FM0201	Cable Clamp – Double 38-50mm	1	ea	
16	GF1103	500A Fuse Link	3	ea	
	OH0194	padlock	2	ea	

PROTECTED

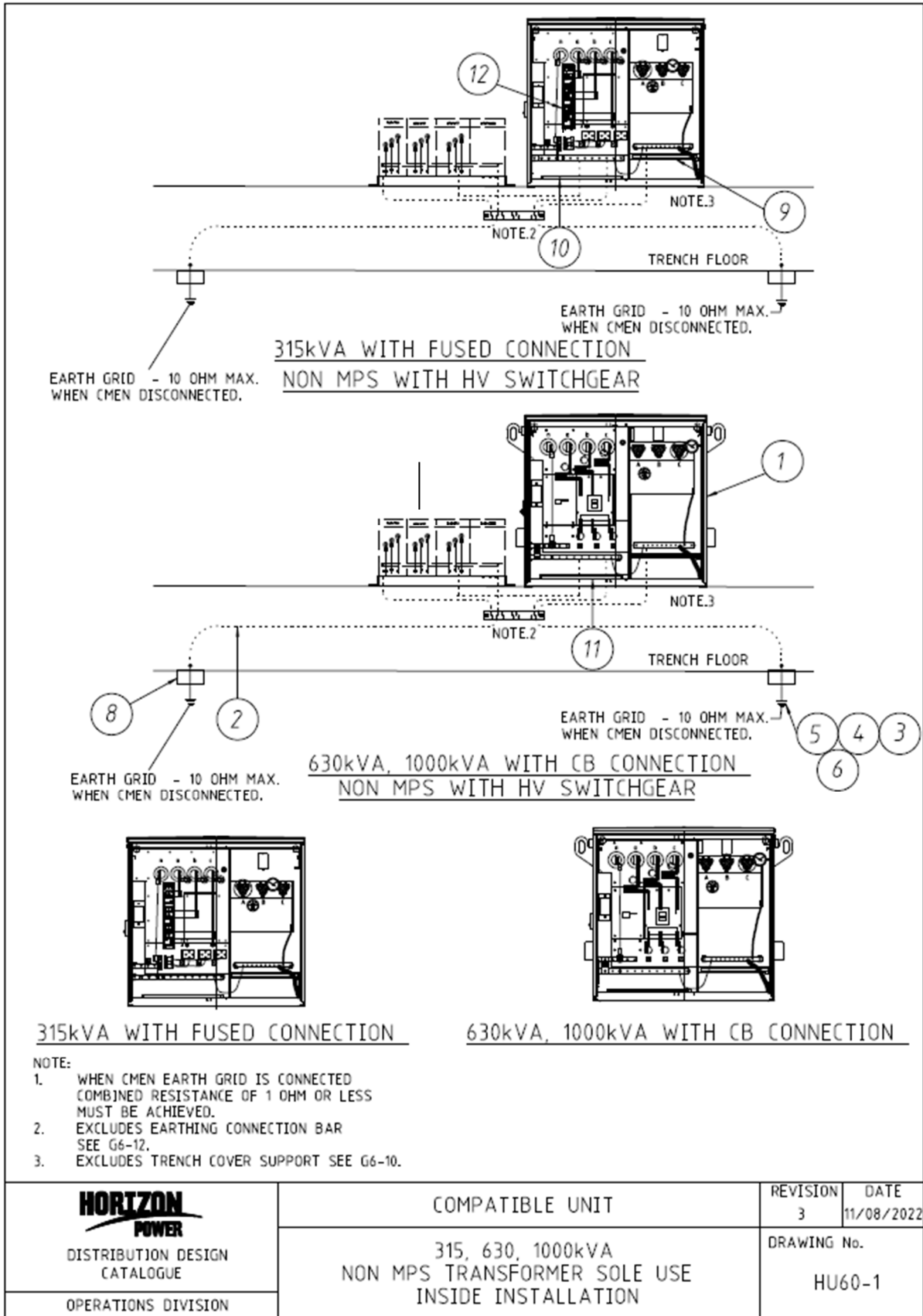
CU	CU DESCRIPTION
HU59O_630_33	Non MPS District Outside 630/33 kV

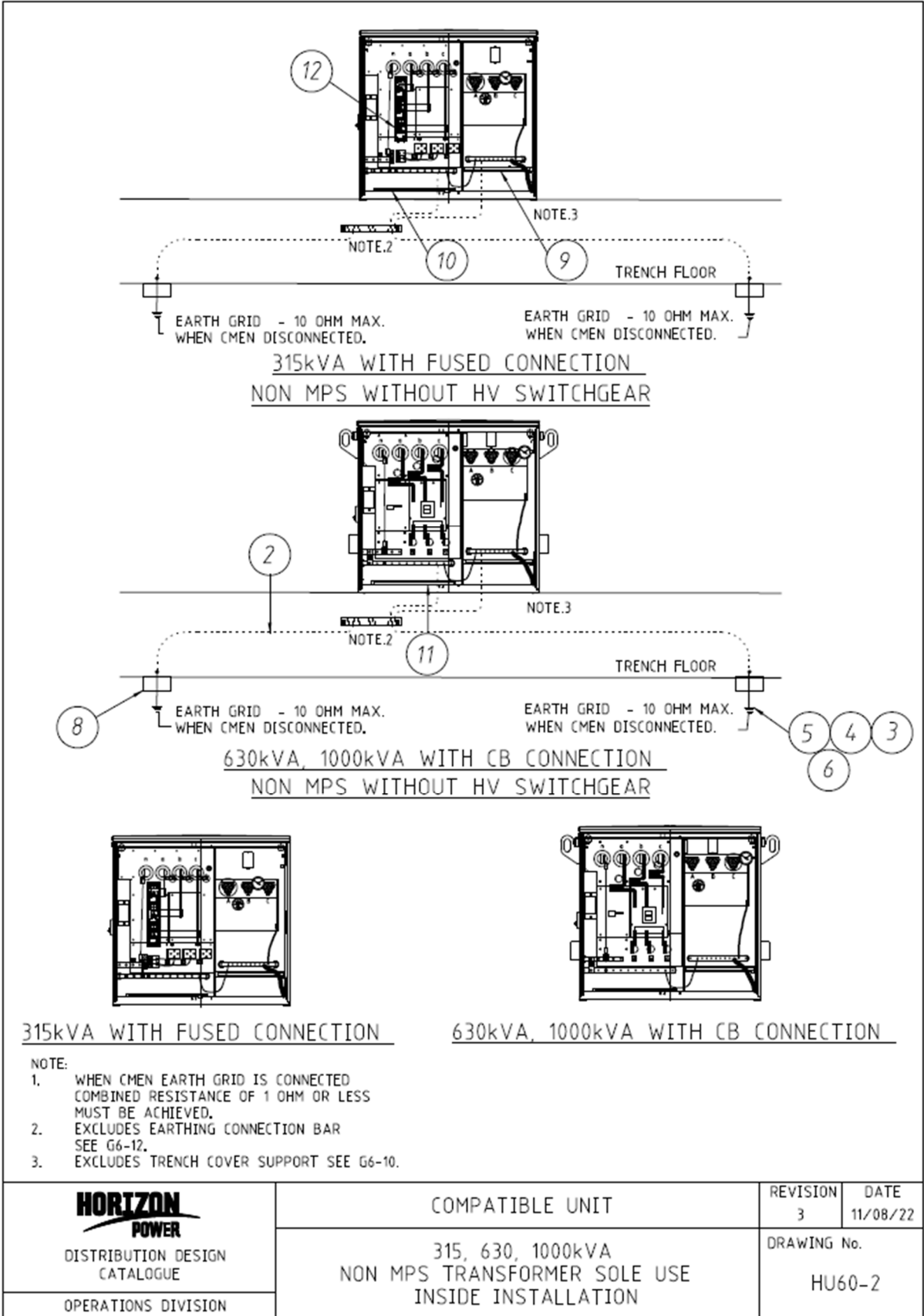
ITEM NUMBER	STOCK NUMBER	DESCRIPTION	QTY RQD	UNIT OF MEASURE	REMARKS
1	N/A	Lugs for Cable Termination: Use LU16_400CU16 x 1 For Transformer side Use LU16_400CU12 x 1 For PENDA side	1	ea	
2	HT0181	PVC tape	3	ea	
3	ECH1076	Cable 400 sqmm 0.6/1kV CU XLPE 1 Core Termite Proof	50	m	
4	XA2452	630 kVA Non MPS – Tyree MKII	1	ea	
5	EE1264	conductor 70 mm pvc insulated copper green / yellow	5	m	
6	CE0135	earth rod	8	ea	
7	CE0058	earth clamp	6	ea	
8	CE0078	earth coupling	6	ea	
9	FL1465	earthing lug	6	ea	
11	CE0201	earth box	2	ea	
12		Select from HU69		m	Note 2
13	FM0200	Cable Clamp – Single 26-38mm	3	ea	MV Cables
14	FM0201	Cable Clamp – Double 38-50mm	4	ea	
	OH0194	padlock	2	ea	

PROTECTED

CU	CU DESCRIPTION
HU59O_1000_3	Non MPS District Outside 1000/33 kV

ITEM NUMBER	STOCK NUMBER	DESCRIPTION	QTY RQD	UNIT OF MEASURE	REMARKS
1	N/A	Lugs for Cable Termination: Use LU16_400CU16 x 2 For Transformer side Use LU16_400CU12 x 2 For PENDA side	1	ea	
2	HT0181	PVC tape	3	ea	
3	ECH1076	Cable 400 sqmm 0.6/1kV CU XLPE 1 Core Termite Proof	75	m	
4	XA2453	1000 kVA Non MPS – Tyree MKII	1	ea	
5	EE1264	conductor 70 mm pvc insulated copper green / yellow	5	m	
6	CE0135	earth rod	8	ea	
7	CE0058	earth clamp	6	ea	
8	CE0078	earth coupling	6	ea	
9	FL1465	earthing lug	6	ea	
11	CE0201	earth box	2	ea	
12		Select from HU69		m	Note 2
13	FM0200	Cable Clamp – Single 26-38mm	3	ea	MV Cables
14	FM0201	Cable Clamp – Double 38-50mm	1	ea	Neutral Cable
15	FM0203	Cable Clamp – Triple 26-38mm	3	ea	LV Cables
	OH0194	padlock	2	ea	





PROTECTED

CU	CU DESCRIPTION
HU60_315_11	Non MPS Sole Use Inside 315/6-11 kV

ITEM NUMBER	STOCK NUMBER	DESCRIPTION	QTY RQD	UNIT OF MEASURE	REMARKS
1	XA2445	315 kVA Non MPS – Tyree MKII	1	ea	
2	EE1264	conductor 70 mm pvc insulated copper green / yellow	25	m	
3	CE0135	earth rod	8	ea	
4	CE0058	earth clamp	2	ea	
5	CE0078	earth coupling	6	ea	
6	FL1465	Earthing lug	10	ea	
8	CE0201	Earth box	2	ea	
9	FM0200	Cable Clamp – Single 26-38mm	3	ea	
10	FM0201	Cable Clamp – Double 38-50mm	4	ea	
12	GF1103	500A Fuse Link	3	ea	
	OH0194	padlock	3	ea	

PROTECTED

CU	CU DESCRIPTION
HU60_630_11	Non MPS Sole Use Inside 630/6-11 kV

ITEM NUMBER	STOCK NUMBER	DESCRIPTION	QTY RQD	UNIT OF MEASURE	REMARKS
1	XA2446	630 kVA Non MPS – Tyree MKII	1	ea	
2	EE1264	conductor 70 mm pvc insulated copper green / yellow	25	m	
3	CE0135	earth rod	8	ea	
4	CE0058	earth clamp	2	ea	
5	CE0078	earth coupling	6	ea	
6	FL1465	earthing lug	10	ea	
8	CE0201	earth box	2	ea	
9	FM0200	Cable Clamp – Single 26-38mm	3	ea	
10	FM0201	Cable Clamp – Double 38-50mm	4	ea	
	OH0194	padlock	3	ea	

CU	CU DESCRIPTION
HU60_1000_11	Non MPS Sole Use Inside 1000/6-11 kV

ITEM NUMBER	STOCK NUMBER	DESCRIPTION	QTY RQD	UNIT OF MEASURE	REMARKS
1	XA2447	1000 kVA Non MPS – Tyree MKII	1	ea	
2	EE1264	conductor 70 mm pvc insulated copper green / yellow	25	m	
3	CE0135	earth rod	8	ea	
4	CE0058	earth clamp	2	ea	
5	CE0078	earth coupling	6	ea	
6	FL1465	earthing lug	10	ea	
8	CE0201	earth box	2	ea	
9	FM0200	Cable Clamp – Single 26-38mm	3	ea	MV Cables
10	FM0201	Cable Clamp – Double 38-50mm	1	ea	Neutral Cable
11	FM0203	Cable Clamp – Triple 26-38mm	3	ea	LV Cables
	OH0194	padlock	3	ea	

PROTECTED

CU	CU DESCRIPTION
HU60_315_22	Non MPS Sole Use Inside 315/22 kV

ITEM NUMBER	STOCK NUMBER	DESCRIPTION	QTY RQD	UNIT OF MEASURE	REMARKS
1	XA2448	315 kVA Non MPS -Tyree MKII	1	ea	
2	EE1264	conductor 70 mm pvc insulated copper green / yellow	25	m	
3	CE0135	earth rod	8	ea	
4	CE0058	earth clamp	2	ea	
5	CE0078	earth coupling	6	ea	
6	FL1465	earthing lug	10	ea	
8	CE0201	earth box	2	ea	
9	FM0200	Cable Clamp – Single 26-38mm	3	ea	
10	FM0201	Cable Clamp – Double 38-50mm	4	ea	
12	GF1103	500A Fuse Link	3	ea	
	OH0194	padlock	3	ea	

CU	CU DESCRIPTION
HU60_630_22	Non MPS Sole Use Inside 630/22 kV

ITEM NUMBER	STOCK NUMBER	DESCRIPTION	QTY RQD	UNIT OF MEASURE	REMARKS
1	XA2449	630 kVA Non MPS – Tyree MKII	1	ea	
2	EE1264	conductor 70 mm pvc insulated copper green / yellow	25	m	
3	CE0135	earth rod	8	ea	
4	CE0058	earth clamp	2	ea	
5	CE0078	earth coupling	6	ea	
6	FL1465	earthing lug	10	ea	
8	CE0201	earth box	2	ea	
9	FM0200	Cable Clamp – Single 26-38mm	3	ea	
10	FM0201	Cable Clamp – Double 38-50mm	4	ea	
	OH0194	padlock	3	ea	

PROTECTED

CU	CU DESCRIPTION
HU60_1000_22	Non MPS Sole Use Inside 1000/22 kV

ITEM NUMBER	STOCK NUMBER	DESCRIPTION	QTY RQD	UNIT OF MEASURE	REMARKS
1	XA2450	1000 kVA Non MPS – Tyree MKII	1	ea	
2	EE1264	conductor 70 mm pvc insulated copper green / yellow	25	m	
3	CE0135	earth rod	8	ea	
4	CE0058	earth clamp	2	ea	
5	CE0078	earth coupling	6	ea	
6	FL1465	earthing lug	10	ea	
8	CE0201	earth box	2	ea	
9	FM0200	Cable Clamp – Single 26-38mm	3	ea	MV Cables
10	FM0201	Cable Clamp – Double 38-50mm	1	ea	Neutral Cable
11	FM0203	Cable Clamp – Triple 26-38mm	3	ea	LV Cables
	OH0194	padlock	3	ea	

CU	CU DESCRIPTION
HU60_315_33	Non MPS Sole Use Inside 315/33 kV

ITEM NUMBER	STOCK NUMBER	DESCRIPTION	QTY RQD	UNIT OF MEASURE	REMARKS
1	XA2451	315 kVA Non MPS – Tyree MKII	1	ea	
2	EE1264	conductor 70 mm pvc insulated copper green / yellow	25	m	
3	CE0135	earth rod	8	ea	
4	CE0058	earth clamp	2	ea	
5	CE0078	earth coupling	6	ea	
6	FL1465	earthing lug	10	ea	
8	CE0201	earth box	2	ea	
9	FM0200	Cable Clamp – Single 26-38mm	3	ea	
10	FM0201	Cable Clamp – Double 38-50mm	4	ea	
12	GF1103	500A Fuse Link	3	ea	
	OH0194	padlock	3	ea	

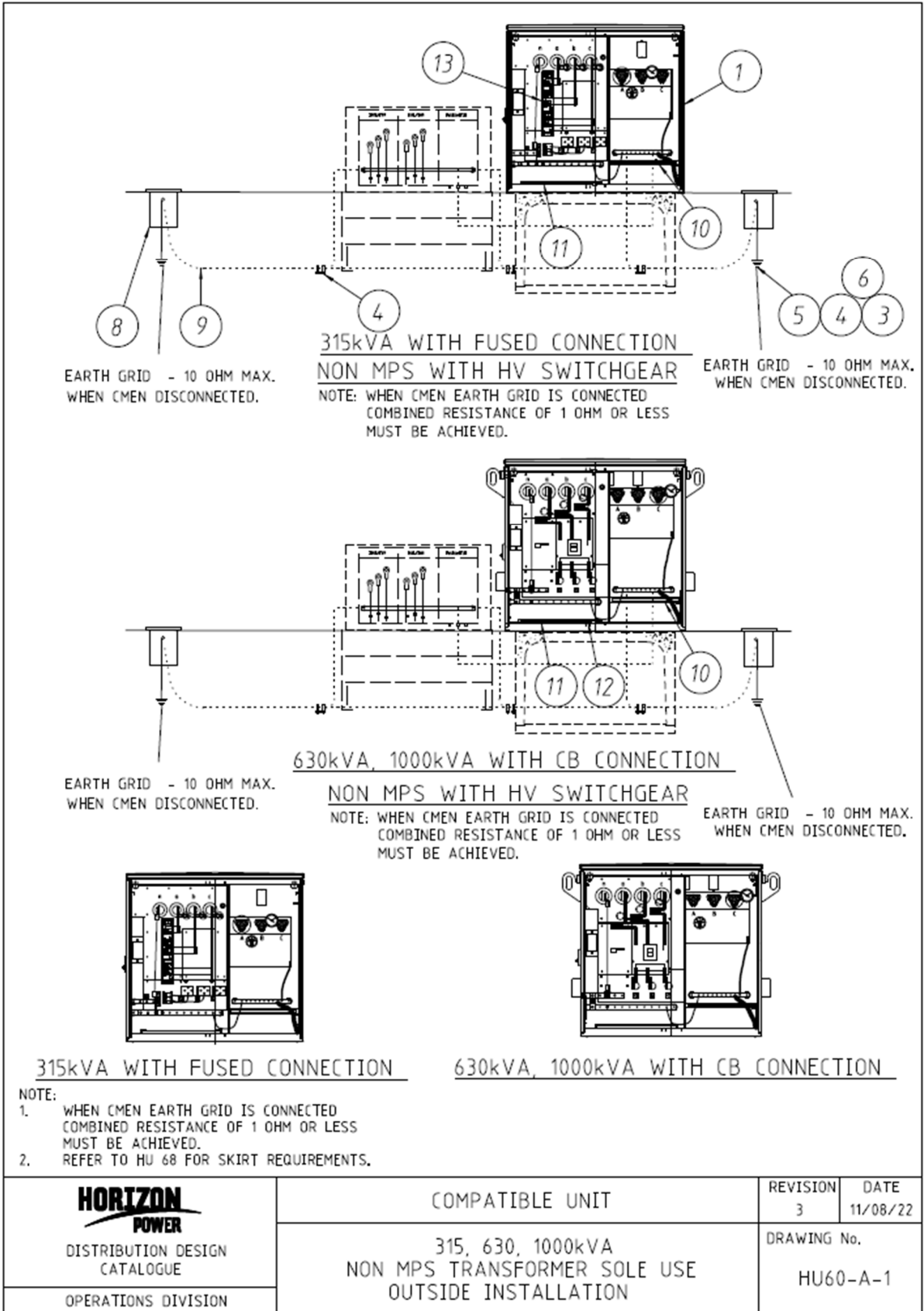
PROTECTED

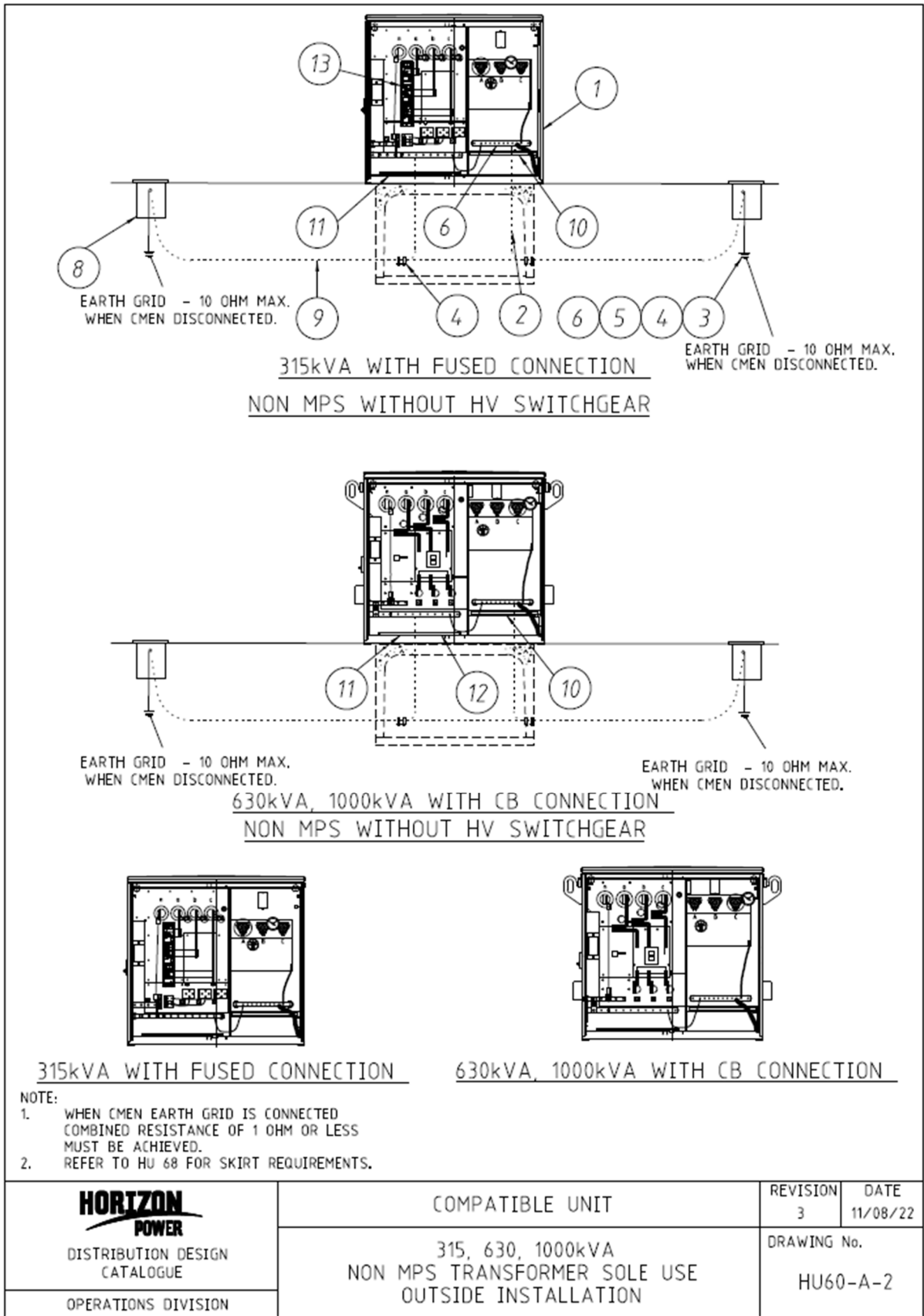
CU	CU DESCRIPTION
HU60_630_33	Non MPS Sole Use Inside 630/33 kV

ITEM NUMBER	STOCK NUMBER	DESCRIPTION	QTY RQD	UNIT OF MEASURE	REMARKS
1	XA2452	630 kVA Non MPS – Tyree MKII	1	ea	
2	EE1264	conductor 70 mm pvc insulated copper green / yellow	25	m	
3	CE0135	earth rod	8	ea	
4	CE0058	earth clamp	2	ea	
5	CE0078	earth coupling	6	ea	
6	FL1465	earthing lug	10	ea	
8	CE0201	earth box	2	ea	
9	FM0200	Cable Clamp – Single 26-38mm	3	ea	
10	FM0201	Cable Clamp – Double 38-50mm	4	ea	
	OH0194	padlock	3	ea	

CU	CU DESCRIPTION
HU60_1000_33	Non MPS Sole Use Inside 1000/33 kV

ITEM NUMBER	STOCK NUMBER	DESCRIPTION	QTY RQD	UNIT OF MEASURE	REMARKS
1	XA2453	1000 kVA Non MPS – Tyree MKII	1	ea	
2	EE1264	conductor 70 mm pvc insulated copper green / yellow	25	m	
3	CE0135	earth rod	8	ea	
4	CE0058	earth clamp	2	ea	
5	CE0078	earth coupling	6	ea	
6	FL1465	earthing lug	10	ea	
8	CE0201	earth box	2	ea	
9	FM0200	Cable Clamp – Single 26-38mm	3	ea	MV Cables
10	FM0201	Cable Clamp – Double 38-50mm	1	ea	Neutral Cable
11	FM0203	Cable Clamp – Triple 26-38mm	3	ea	LV Cables
	OH0194	padlock	3	ea	





CU	CU DESCRIPTION
HU600_315_11	Non MPS Sole Use Outside 315/6-11 kV

PROTECTED

ITEM NUMBER	STOCK NUMBER	DESCRIPTION	QTY RQD	UNIT OF MEASURE	REMARKS
1	XA2445	315 kVA Non MPS – Tyree MKII	1	ea	
2	EE1264	conductor 70 mm pvc insulated copper green / yellow	5	m	
3	CE0135	earth rod	8	ea	
4	CE0058	earth clamp	6	ea	
5	CE0078	earth coupling	6	ea	
6	FL1465	earthing lug	6	ea	
8	CE0201	earth box	2	ea	
9		Earth Grading Ring - Select from HU69		m	Note 2
10	FM0200	Cable Clamp – Single 26-38mm	3	ea	
11	FM0201	Cable Clamp – Double 38-50mm	4	ea	
13	GF1103	500A Fuse Link	3	ea	
	OH0194	padlock	2	ea	

CU	CU DESCRIPTION
HU600_630_11	Non MPS Sole Use Outside 630/6-11 kV

ITEM NUMBER	STOCK NUMBER	DESCRIPTION	QTY RQD	UNIT OF MEASURE	REMARKS
1	XA2446	630 kVA Non MPS – Tyree MKII	1	ea	
2	EE1264	conductor 70 mm pvc insulated copper green / yellow	5	m	
3	CE0135	earth rod	8	ea	
4	CE0058	earth clamp	6	ea	
5	CE0078	earth coupling	6	ea	
6	FL1465	earthing lug	6	ea	
8	CE0201	earth box	2	ea	
9		Earth Grading Ring - Select from HU69		m	Note 2
10	FM0200	Cable Clamp – Single 26-38mm	3	ea	
11	FM0201	Cable Clamp – Double 38-50mm	4	ea	
	OH0194	padlock	2	ea	

CU	CU DESCRIPTION
HU600_1000_1	Non MPS Sole Use Outside 1000/6-11 kV

PROTECTED

ITEM NUMBER	STOCK NUMBER	DESCRIPTION	QTY RQD	UNIT OF MEASURE	REMARKS
1	XA2447	1000 kVA Non MPS – Tyree MKII	1	ea	
2	EE1264	conductor 70 mm pvc insulated copper green / yellow	5	m	
3	CE0135	earth rod	8	ea	
4	CE0058	earth clamp	6	ea	
5	CE0078	earth coupling	6	ea	
6	FL1465	earthing lug	6	ea	
8	CE0201	earth box	2	ea	
9		Earth Grading Ring - Select from HU69		m	Note 2
10	FM0200	Cable Clamp – Single 26-38mm	3	ea	MV Cables
11	FM0201	Cable Clamp – Double 38-50mm	1	ea	Neutral Cable
12	FM0203	Cable Clamp – Triple 26-38mm	3	ea	LV Cables
	OH0194	padlock	2	ea	

CU	CU DESCRIPTION
HU600_315_22	Non MPS Sole Use Outside 315/22 kV

ITEM NUMBER	STOCK NUMBER	DESCRIPTION	QTY RQD	UNIT OF MEASURE	REMARKS
1	XA2448	315 kVA Non MPS – Tyree MKII	1	ea	
2	EE1264	conductor 70 mm pvc insulated copper green / yellow	5	m	
3	CE0135	earth rod	8	ea	
4	CE0058	earth clamp	6	ea	
5	CE0078	earth coupling	6	ea	
6	FL1465	earthing lug	6	ea	
8	CE0201	earth box	2	ea	
9		Earth Grading Ring - Select from HU69		m	Note 2
10	FM0200	Cable Clamp – Single 26-38mm	3	ea	
11	FM0201	Cable Clamp – Double 38-50mm	4	ea	
13	GF1103	500A Fuse Link	3	ea	
	OH0194	padlock	2	ea	

PROTECTED

CU	CU DESCRIPTION
HU600_630_22	Non MPS Sole Use Outside 630/22 kV

ITEM NUMBER	STOCK NUMBER	DESCRIPTION	QTY RQD	UNIT OF MEASURE	REMARKS
1	XA2449	630 kVA Non MPS – Tyree MKII	1	ea	
2	EE1264	conductor 70 mm pvc insulated copper green / yellow	5	m	
3	CE0135	earth rod	8	ea	
4	CE0058	earth clamp	6	ea	
5	CE0078	earth coupling	6	ea	
6	FL1465	earthing lug	6	ea	
8	CE0201	earth box	2	ea	
9		Earth Grading Ring - Select from HU69		m	Note 2
10	FM0200	Cable Clamp – Single 26-38mm	3	ea	
11	FM0201	Cable Clamp – Double 38-50mm	4	ea	
	OH0194	padlock	2	ea	

CU	CU DESCRIPTION
HU600_1000_2	Non MPS Sole Use Outside 1000/22 kV

ITEM NUMBER	STOCK NUMBER	DESCRIPTION	QTY RQD	UNIT OF MEASURE	REMARKS
1	XA2450	1000 kVA Non MPS – Tyree MKII	1	ea	
2	EE1264	conductor 70 mm pvc insulated copper green / yellow	5	m	
3	CE0135	earth rod	8	ea	
4	CE0058	earth clamp	6	ea	
5	CE0078	earth coupling	6	ea	
6	FL1465	earthing lug	6	ea	
8	CE0201	earth box	2	ea	
9		Earth Grading Ring - Select from HU69		m	Note 2
10	FM0200	Cable Clamp – Single 26-38mm	3	ea	MV Cables
11	FM0201	Cable Clamp – Double 38-50mm	1	ea	Neutral Cable
12	FM0203	Cable Clamp – Triple 26-38mm	3	ea	LV Cables
	OH0194	padlock	2	ea	

PROTECTED

CU	CU DESCRIPTION
HU600_315_33	Non MPS Sole Use Outside 315/33 kV

ITEM NUMBER	STOCK NUMBER	DESCRIPTION	QTY RQD	UNIT OF MEASURE	REMARKS
1	XA2451	315 kVA Non MPS – Tyree MKII	1	ea	
2	EE1264	conductor 70 mm pvc insulated copper green / yellow	5	m	
3	CE0135	earth rod	8	ea	
4	CE0058	earth clamp	6	ea	
5	CE0078	earth coupling	6	ea	
6	FL1465	earthing lug	6	ea	
8	CE0201	earth box	2	ea	
9		Earth Grading Ring - Select from HU69		m	Note 2
10	FM0200	Cable Clamp – Single 26-38mm	3	ea	
11	FM0201	Cable Clamp – Double 38-50mm	4	ea	
13	GF1103	500A Fuse Link	3	ea	
	OH0194	padlock	2	ea	

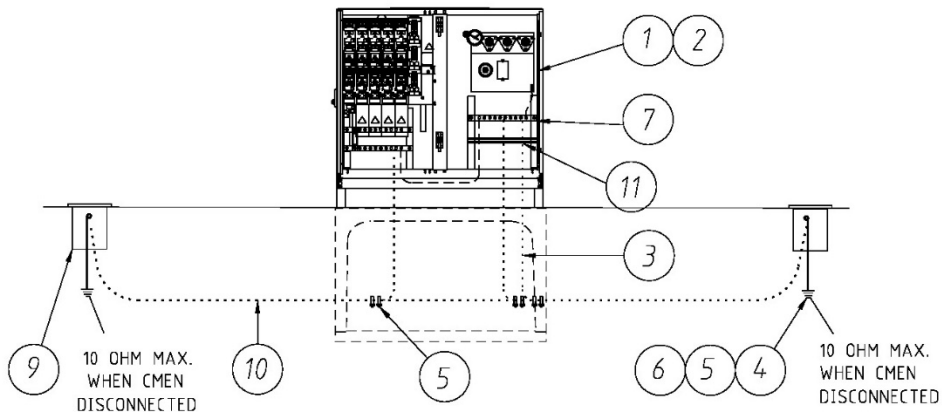
CU	CU DESCRIPTION
HU600_630_33	Non MPS Sole Use Outside 630/33 kV

ITEM NUMBER	STOCK NUMBER	DESCRIPTION	QTY RQD	UNIT OF MEASURE	REMARKS
1	XA2452	630 kVA Non MPS – Tyree MKII	1	ea	
2	EE1264	conductor 70 mm pvc insulated copper green / yellow	5	m	
3	CE0135	earth rod	8	ea	
4	CE0058	earth clamp	6	ea	
5	CE0078	earth coupling	6	ea	
6	FL1465	earthing lug	6	ea	
8	CE0201	earth box	2	ea	
9		Earth Grading Ring - Select from HU69		m	Note 2
10	FM0200	Cable Clamp – Single 26-38mm	3	ea	
11	FM0201	Cable Clamp – Double 38-50mm	4	ea	
	OH0194	padlock	2	ea	

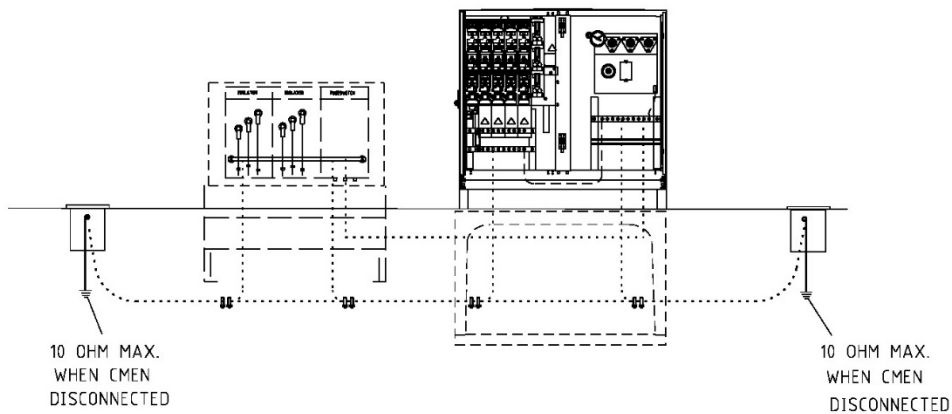
PROTECTED

CU	CU DESCRIPTION
HU600_1000_3	Non MPS Sole Use Outside 1000/33 kV

ITEM NUMBER	STOCK NUMBER	DESCRIPTION	QTY RQD	UNIT OF MEASURE	REMARKS
1	XA2453	1000 kVA Non MPS – Tyree MKII	1	ea	
2	EE1264	conductor 70 mm pvc insulated copper green / yellow	5	m	
3	CE0135	earth rod	8	ea	
4	CE0058	earth clamp	6	ea	
5	CE0078	earth coupling	6	ea	
6	FL1465	earthing lug	6	ea	
8	CE0201	earth box	2	ea	
9		Earth Grading Ring - Select from HU69		m	Note 2
10	FM0200	Cable Clamp – Single 26-38mm	3	ea	MV Cables
11	FM0201	Cable Clamp – Double 38-50mm	1	ea	Neutral Cable
12	FM0203	Cable Clamp – Triple 26-38mm	3	ea	LV Cables
	OH0194	padlock	2	ea	




MPS WITHOUT HV SWITCHGEAR



MPS WITH HV SWITCHGEAR

NOTE:- WHEN THE CMEN EARTH GRID IS CONNECTED A COMBINED RESISTANCE OF 1 OHM OR LESS MUST BE ACHIEVED.

 DISTRIBUTION DESIGN CATALOGUE OPERATIONS DIVISION	COMPATIBLE UNIT	REVISION 3	DATE 11/01/2021
	315, 630kVA MPS	DRAWING No. HU61	

PROTECTED

CU	CU DESCRIPTION
HU61_315_11	MPS 315 kVA / 6-11 kV

ITEM NUMBER	STOCK NUMBER	DESCRIPTION	QTY RQD	UNIT OF MEASURE	REMARKS
1	OH0194	padlock	1	ea	
2	XA2414	315 kVA MPS – ETEL MKII	1	ea	
3	EE1264	conductor 70 mm ² pvc insulated copper green / yellow	5	m	
4	CE0135	earth rod	8	ea	
5	CE0058	earth clamp	6	ea	
6	CE0078	earth coupling	6	ea	
7	FL1465	earthing lug	6	ea	
9	CE0201	earth box	2	ea	
10		Select from HU69		m	Note 2
11	FM0200	Cable Clamp	3	ea	MV Cables

CU	CU DESCRIPTION
HU61_630_11	MPS 630 kVA / 6-11 kV

ITEM NUMBER	STOCK NUMBER	DESCRIPTION	QTY RQD	UNIT OF MEASURE	REMARKS
1	OH0194	padlock	1	ea	
2	XA2416	630 kVA MPS – ETEL MKII	1	ea	
3	EE1264	conductor 70 mm pvc insulated copper green / yellow	5	m	
4	CE0135	earth rod	8	ea	
5	CE0058	earth clamp	6	ea	
6	CE0078	earth coupling	6	ea	
7	FL1465	earthing lug	6	ea	
9	CE0201	earth box	2	ea	
10		Select from HU69		m	Note 2
11	FM0200	Cable Clamp	3	ea	MV Cables

PROTECTED

CU	CU DESCRIPTION
HU61_315_22	MPS 315 kVA / 22 kV

ITEM NUMBER	STOCK NUMBER	DESCRIPTION	QTY RQD	UNIT OF MEASURE	REMARKS
1	OH0194	padlock	1	ea	
2	XA2420	315 kVA MPS – ETEL MKII	1	ea	
3	EE1264	conductor 70 mm pvc insulated copper green / yellow	5	m	
4	CE0135	earth rod	8	ea	
5	CE0058	earth clamp	6	ea	
6	CE0078	earth coupling	6	ea	
7	FL1465	earthing lug	6	ea	
9	CE0201	earth box	2	ea	
10		Select from HU69		m	Note 2
11	FM0200	Cable Clamp	3	ea	MV Cables

CU	CU DESCRIPTION
HU61_630_22	MPS 630 kVA / 22 kV

ITEM NUMBER	STOCK NUMBER	DESCRIPTION	QTY RQD	UNIT OF MEASURE	REMARKS
1	OH0194	padlock	1	ea	
2	XA2422	630 kVA MPS – ETEL MKII	1	ea	
3	EE1264	conductor 70 mm pvc insulated copper green / yellow	5	m	
4	CE0135	earth rod	8	ea	
5	CE0058	earth clamp	6	ea	
6	CE0078	earth coupling	6	ea	
7	FL1465	earthing lug	6	ea	
9	CE0201	earth box	2	ea	
10		Select from HU69		m	Note 2
11	FM0200	Cable Clamp	3	ea	MV Cables

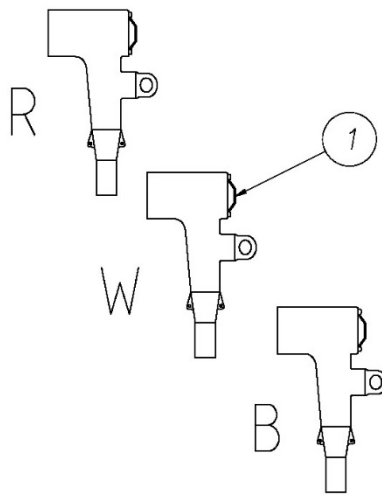
PROTECTED

CU	CU DESCRIPTION
HU61_315_33	MPS 315 kVA / 33 kV

ITEM NUMBER	STOCK NUMBER	DESCRIPTION	QTY RQD	UNIT OF MEASURE	REMARKS
1	OH0194	padlock	1	ea	
2	XA2424	315 kVA MPS – ETEL MKII	1	ea	
3	EE1264	conductor 70 mm pvc insulated copper green / yellow	5	m	
4	CE0135	earth rod	8	ea	
5	CE0058	earth clamp	6	ea	
6	CE0078	earth coupling	6	ea	
7	FL1465	earthing lug	6	ea	
9	CE0201	earth box	2	ea	
10		Select from HU69		m	Note 2
11	FM0200	Cable Clamp	3	ea	MV Cables

CU	CU DESCRIPTION
HU61_630_33	MPS 630 kVA / 33 kV

ITEM NUMBER	STOCK NUMBER	DESCRIPTION	QTY RQD	UNIT OF MEASURE	REMARKS
1	OH0194	padlock	1	ea	
2	XA2425	630 kVA MPS – ETEL MKII	1	ea	
3	EE1264	conductor 70 mm pvc insulated copper green / yellow	5	m	
4	CE0135	earth rod	8	ea	
5	CE0058	earth clamp	6	ea	
6	CE0078	earth coupling	6	ea	
7	FL1465	earthing lug	6	ea	
9	CE0201	earth box	2	ea	
10		Select from HU69		m	Note 2
11	FM0200	Cable Clamp	3	ea	MV Cables



HORIZON POWER DISTRIBUTION DESIGN CATALOGUE OPERATIONS DIVISION	COMPATIBLE UNIT	REVISION 2	DATE 11/01/2021
	200AMP ELBOWS	DRAWING No. HU66	

PROTECTED

CU	CU DESCRIPTION
HU66_22KV	Elbow 22kV / 200A non load break x 3

ITEM NUMBER	STOCK NUMBER	DESCRIPTION	QTY RQD	UNIT OF MEASURE	REMARKS
1	FC0316	Elbow connector 35 mm	3	ea	
1	FL1448	Terminal lug	3	ea	

CU	CU DESCRIPTION
HU66_22S	Elbow 22kV / 200A non load break x 1

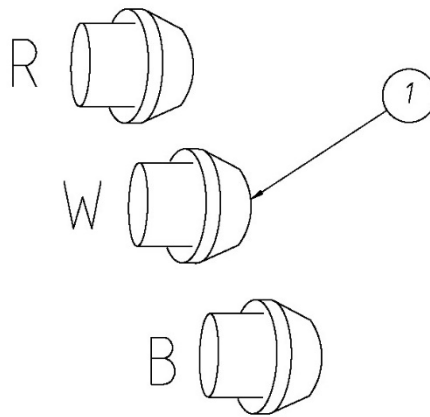
ITEM NUMBER	STOCK NUMBER	DESCRIPTION	QTY RQD	UNIT OF MEASURE	REMARKS
1	FC0316	Elbow connector 35 mm	1	ea	
1	FL1448	Terminal lug	1	ea	

CU	CU DESCRIPTION
HU66_33KV	Elbow 33kV / 200A non load break x 3

ITEM NUMBER	STOCK NUMBER	DESCRIPTION	QTY RQD	UNIT OF MEASURE	REMARKS
1	FC0309	elbow 50 mm	3	ea	
1	FL1453	Terminal lug	3	ea	

CU	CU DESCRIPTION
HU66_33S	Elbow 33kV / 200A non load break x 1

ITEM NUMBER	STOCK NUMBER	DESCRIPTION	QTY RQD	UNIT OF MEASURE	REMARKS
1	FC0309	elbow 50 mm	1	ea	
1	FL1453	Terminal lug	1	ea	



HORIZON POWER DISTRIBUTION DESIGN CATALOGUE OPERATIONS DIVISION	COMPATIBLE UNIT	REVISION 2	DATE 11/01/2021
	DEAD END RECEPTACLES	DRAWING No. HU67	

PROTECTED

CU	CU DESCRIPTION
HU67_22	Dead end receptacle 22 kV x 3

ITEM NUMBER	STOCK NUMBER	DESCRIPTION	QTY RQD	UNIT OF MEASURE	REMARKS
1	FC0320	Dead end receptacle	3	ea	

CU	CU DESCRIPTION
HU67_22S	Dead end receptacle 22 kV x 1

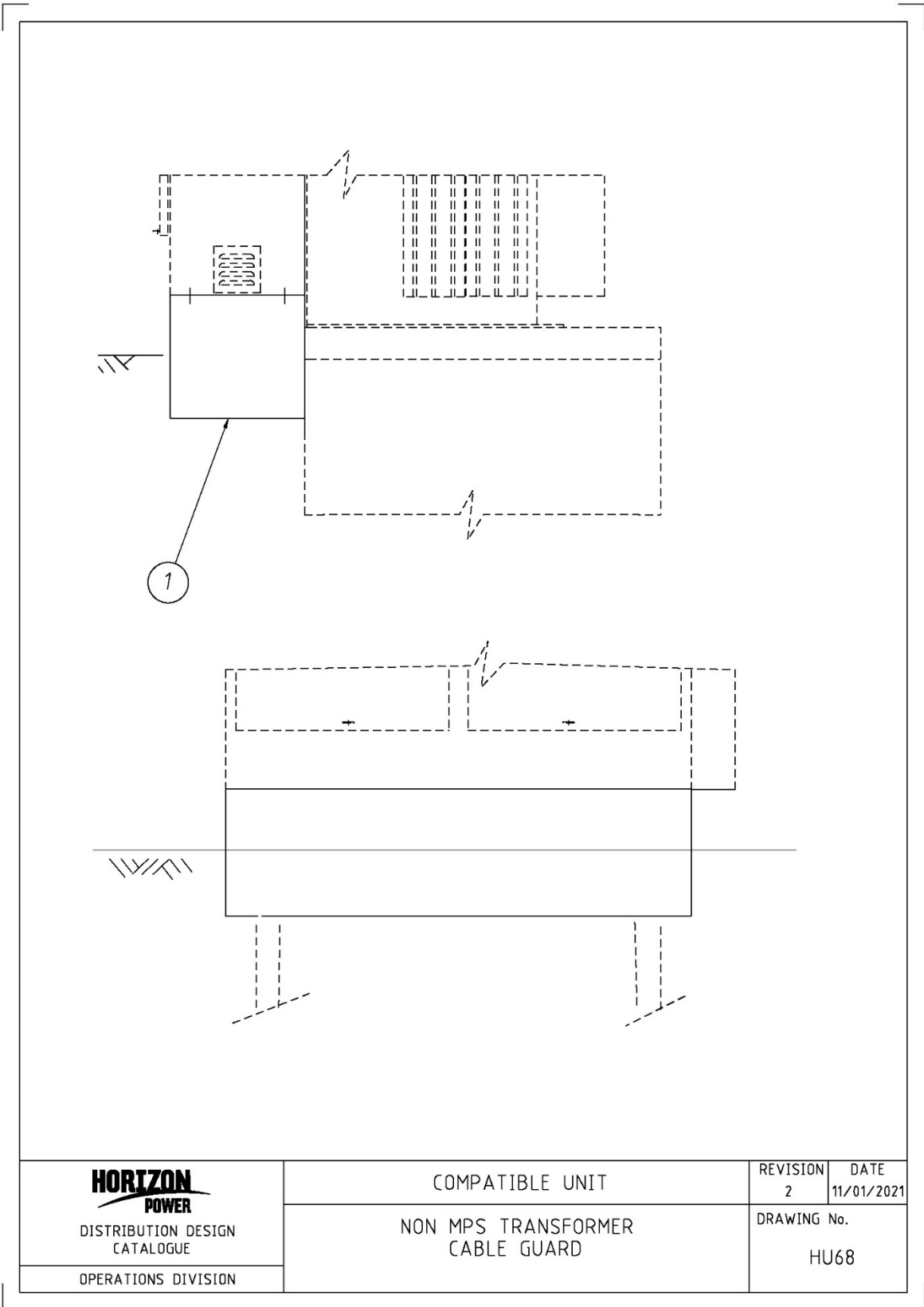
ITEM NUMBER	STOCK NUMBER	DESCRIPTION	QTY RQD	UNIT OF MEASURE	REMARKS
1	FC0320	Dead end receptacle	1	ea	

CU	CU DESCRIPTION
HU67_33	Dead end receptical 33 kV x 3

ITEM NUMBER	STOCK NUMBER	DESCRIPTION	QTY RQD	UNIT OF MEASURE	REMARKS
1	FC0321	dead end receptacle	3	ea	

CU	CU DESCRIPTION
HU67_33S	Dead end receptical 33 kV x 1

ITEM NUMBER	STOCK NUMBER	DESCRIPTION	QTY RQD	UNIT OF MEASURE	REMARKS
1	FC0321	dead end receptacle	1	ea	



HORIZON POWER DISTRIBUTION DESIGN CATALOGUE OPERATIONS DIVISION	COMPATIBLE UNIT	REVISION 2	DATE 11/01/2021
	NON MPS TRANSFORMER CABLE GUARD	DRAWING No. HU68	

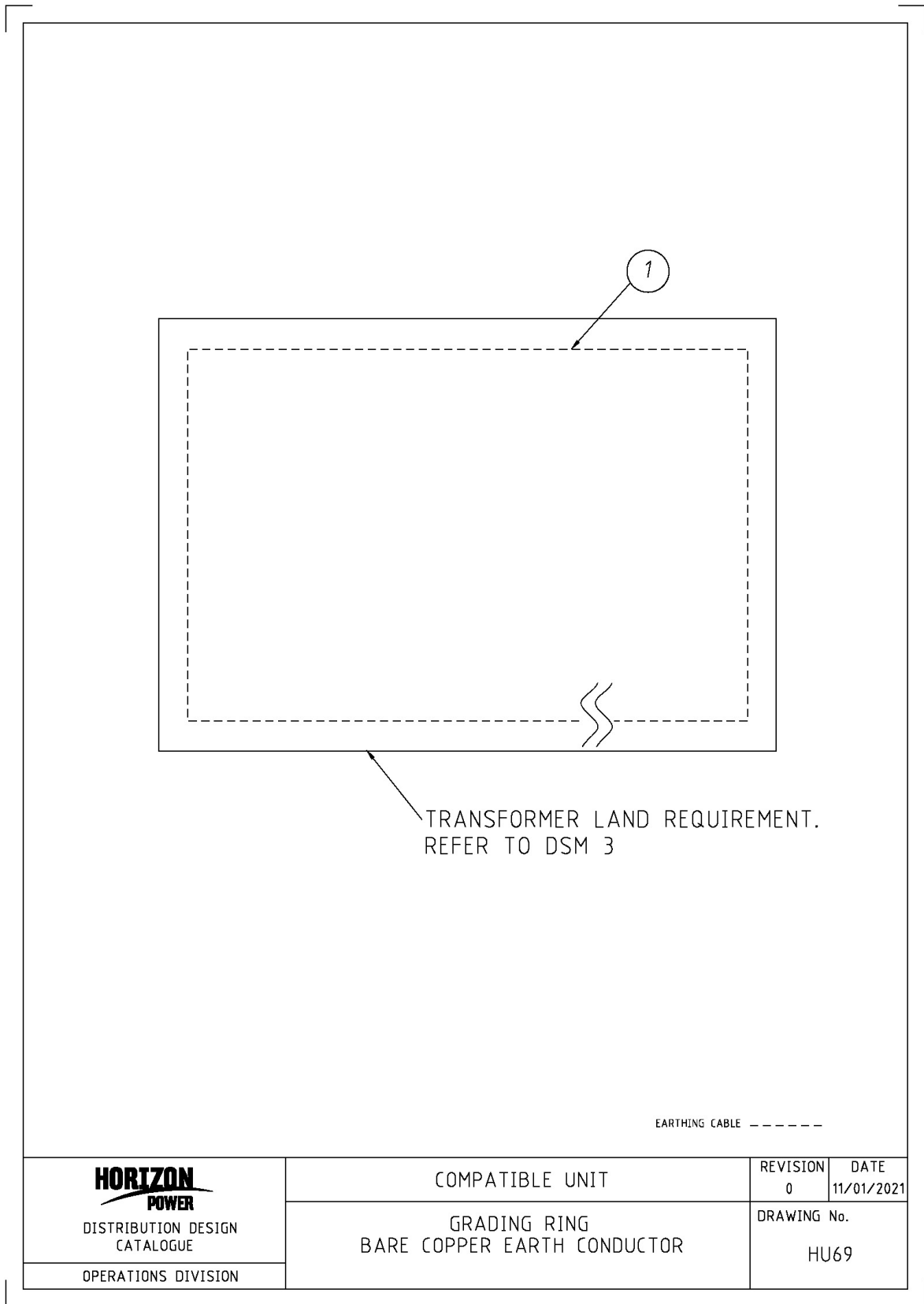
PROTECTED

CU	CU DESCRIPTION
HU68	Non MPS transformer cable guard

ITEM NUMBER	STOCK NUMBER	DESCRIPTION	QTY RQD	UNIT OF MEASURE	REMARKS
1	XA2194	Non MPS cable guard	1	ea	

CU	CU DESCRIPTION
HU68_33	Non MPS transformer cable guard for 33KV

ITEM NUMBER	STOCK NUMBER	DESCRIPTION	QTY RQD	UNIT OF MEASURE	REMARKS
1	XA2195	Mounting. Base, electrical equipment-steel; galvanised; non ext	1	ea	



PROTECTED

CU	CU DESCRIPTION
HU69_25	Grading ring, bare copper 25m length

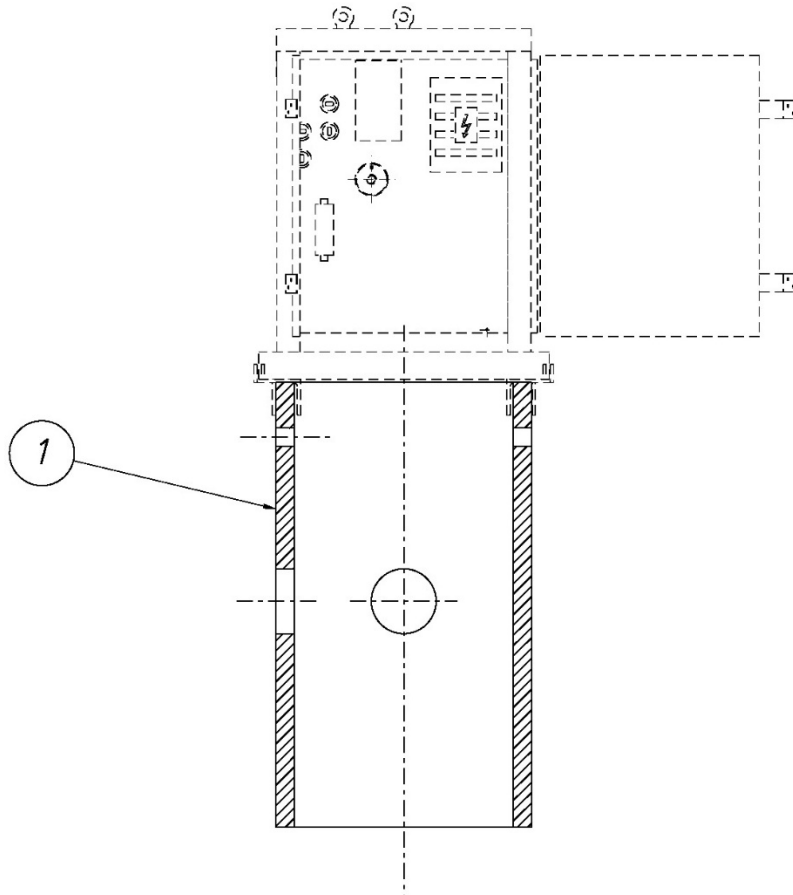
ITEM NUMBER	STOCK NUMBER	DESCRIPTION	QTY RQD	UNIT OF MEASURE	REMARKS
1	EM0012	Conductor, 70mm ² bare copper	25	ea	

CU	CU DESCRIPTION
HU69_35	Grading ring, bare copper 35m length

ITEM NUMBER	STOCK NUMBER	DESCRIPTION	QTY RQD	UNIT OF MEASURE	REMARKS
1	EM0012	Conductor, 70mm ² bare copper	35	ea	

CU	CU DESCRIPTION
HU69_45	Grading ring, bare copper 45m length

ITEM NUMBER	STOCK NUMBER	DESCRIPTION	QTY RQD	UNIT OF MEASURE	REMARKS
1	EM0012	Conductor, 70mm ² bare copper	45	ea	



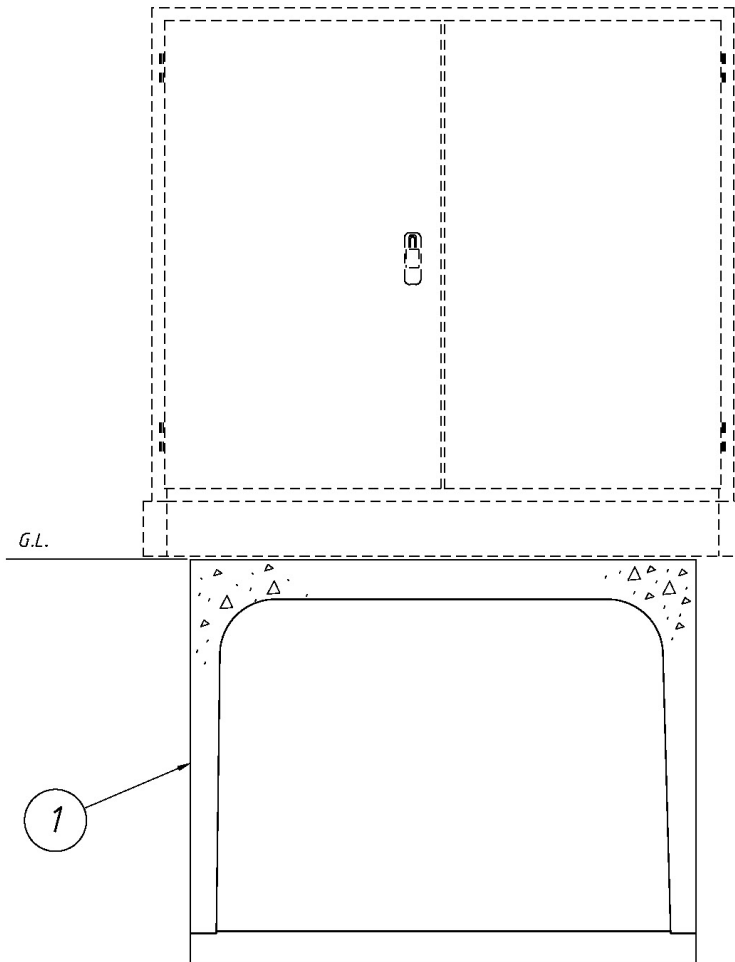
NORMAL SIZE :
 6001/D x 120 LONG HUME PART No. 100131
 WITH CORED HOLES TO HORIZON POWER DRAWING
 No. HPA-S-0001

HORIZON POWER DISTRIBUTION DESIGN CATALOGUE OPERATIONS DIVISION	COMPATIBLE UNIT	REVISION 2	DATE 11/01/2021
	SPUDS TRANSFORMER BASE PIPE	DRAWING No. HU75	

PROTECTED

CU	CU DESCRIPTION
HU75	SPUDS transformer base pipe

ITEM NUMBER	STOCK NUMBER	DESCRIPTION	QTY RQD	UNIT OF MEASURE	REMARKS
1	CAH1012	Transformer concrete base	1	ea	



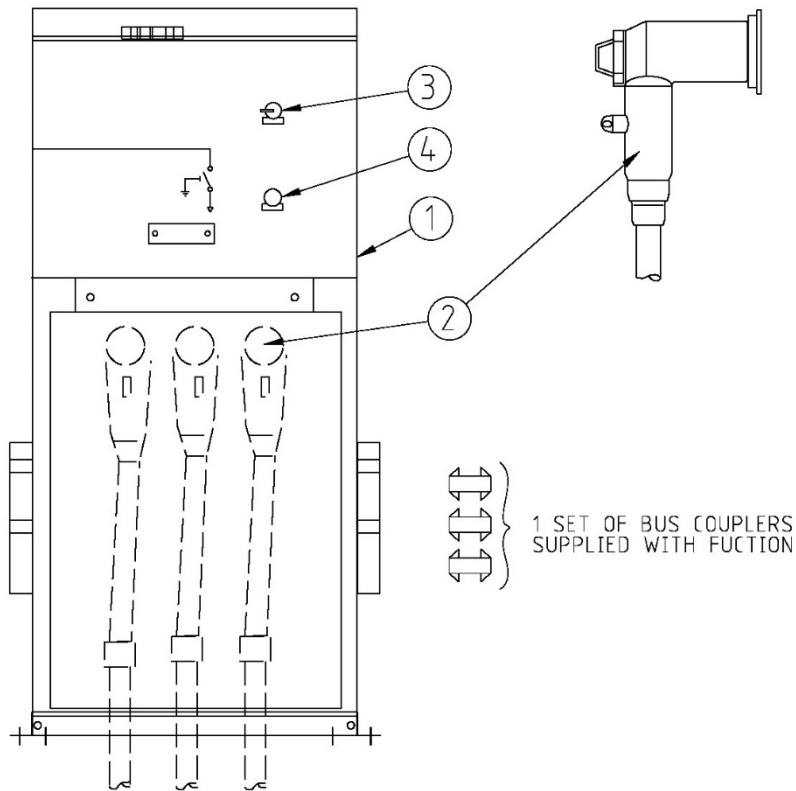
NOTE :
 NORMAL SIZE - 1200x900x1220
 CROWN WEIGHT - 950kg
 BASE WEIGHT - 380kg

HORIZON POWER DISTRIBUTION DESIGN CATALOGUE OPERATIONS DIVISION	COMPATIBLE UNIT	REVISION 2	DATE 11/01/2021
	NON MPS AND MPS TRANSFORMER CULVERT AND BASE	DRAWING No. HU76	

PROTECTED

CU	CU DESCRIPTION
HU76	Non MPS & MPS tx culvert & base

ITEM NUMBER	STOCK NUMBER	DESCRIPTION	QTY RQD	UNIT OF MEASURE	REMARKS
1	CAH1010	Transformer concrete culvert and Base	1	ea	



THIS FUNCTION: DE-I (1+0)

HORIZON POWER DISTRIBUTION DESIGN CATALOGUE OPERATIONS DIVISION	COMPATIBLE UNIT	REVISION 2	DATE 11/01/2021
	SCHNEIDER RM6 SWITCHGEAR 1+0 DOUBLE EXTENSIBLE SWITCH DISCONNECTOR	DRAWING No. HU78	

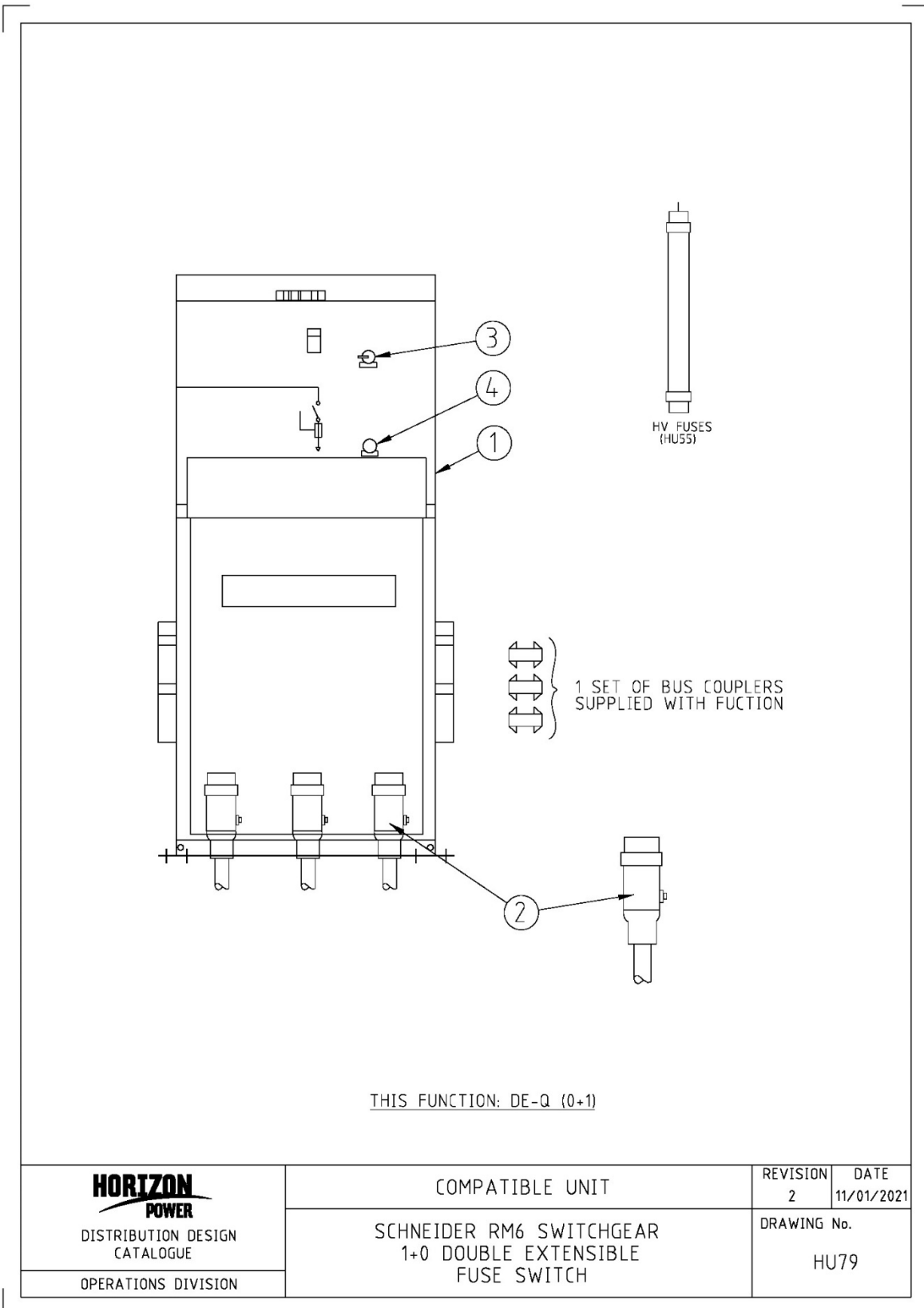
PROTECTED

CU	CU DESCRIPTION
HU78	Extensible switch disconnect

ITEM NUMBER	STOCK NUMBER	DESCRIPTION	QTY RQD	UNIT OF MEASURE	REMARKS
1	XA2627	switch disconnect	1	ea	
2	FCH0294	Elbow connector, 33kV for 185-400mm ² cable (set of 3)	3	ea	
3	OH0211	padlock	1	ea	
4	OH0194	padlock	1	ea	

CU	CU DESCRIPTION
HU78_A	Extensible switch disconnect - motorised

ITEM NUMBER	STOCK NUMBER	DESCRIPTION	QTY RQD	UNIT OF MEASURE	REMARKS
1	XA2635	switch disconnect, motorised	1	ea	
2	FCH0294	Elbow connector, 33kV for 185-400mm ² cable (set of 3)	3	ea	
3	OH0211	padlock	1	ea	
4	OH0194	padlock	1	ea	



HORIZON
POWER
DISTRIBUTION DESIGN
CATALOGUE
OPERATIONS DIVISION

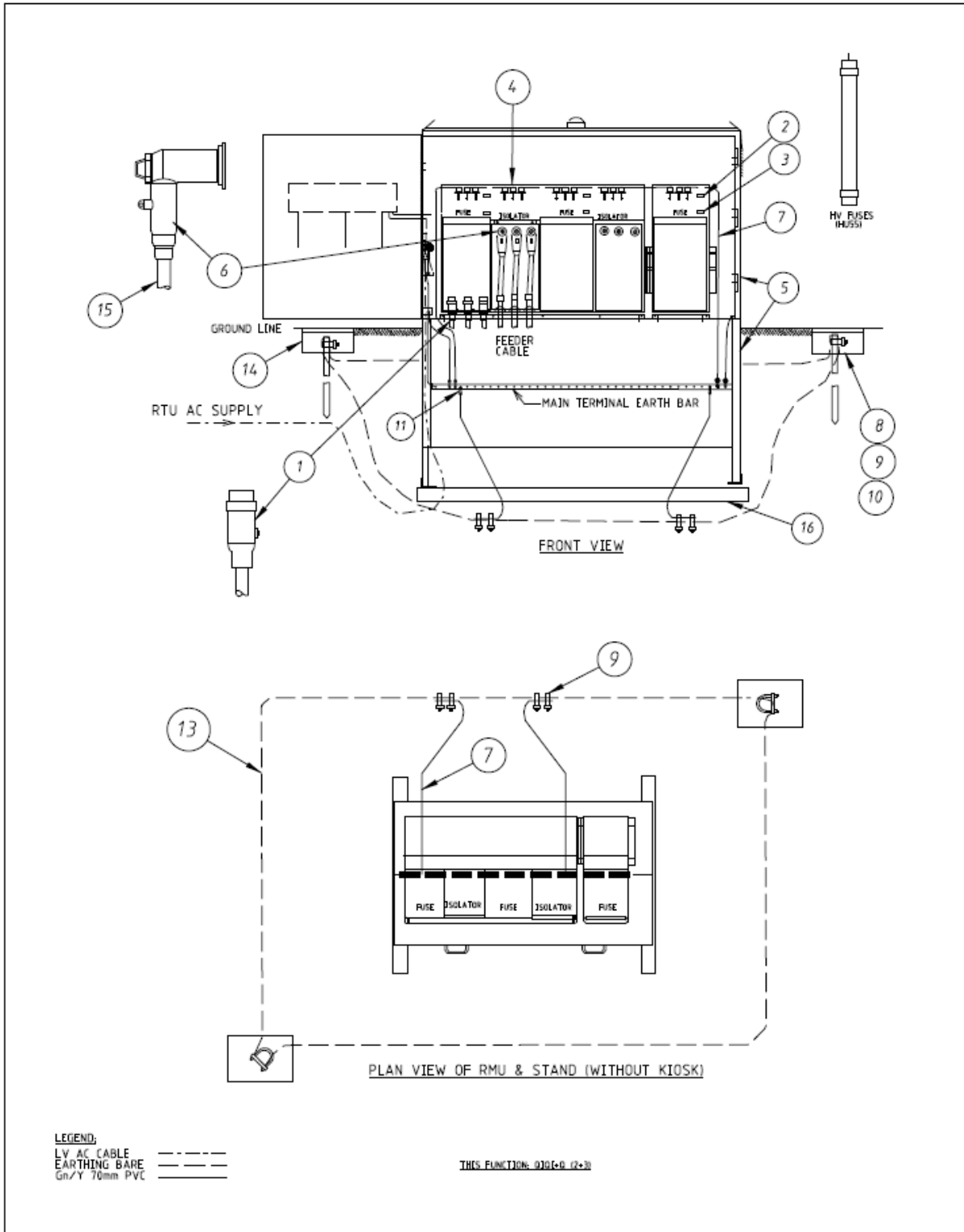
COMPATIBLE UNIT
SCHNEIDER RM6 SWITCHGEAR
1+0 DOUBLE EXTENSIBLE
FUSE SWITCH


REVISION 2	DATE 11/01/2021
DRAWING No. HU79	

PROTECTED

CU	CU DESCRIPTION
HU79	Extensible fuse switch

ITEM NUMBER	STOCK NUMBER	DESCRIPTION	QTY RQD	UNIT OF MEASURE	REMARKS
1	XA2628	fuse switch	1	ea	
2	FC0317	Straight connection	1	ea	
3	OH0211	padlock	1	ea	
4	OH0194	padlock	1	ea	



 DISTRIBUTION DESIGN CATALOGUE OPERATIONS DIVISION	COMPATIBLE UNIT	REVISION 3	DATE 22/02/2024
	SCHNEIDER RM6 OUTDOOR SWITCHGEAR 2 + 3 WITH KIOSK (5 WAYS)	DRAWING No. HU80	

PROTECTED

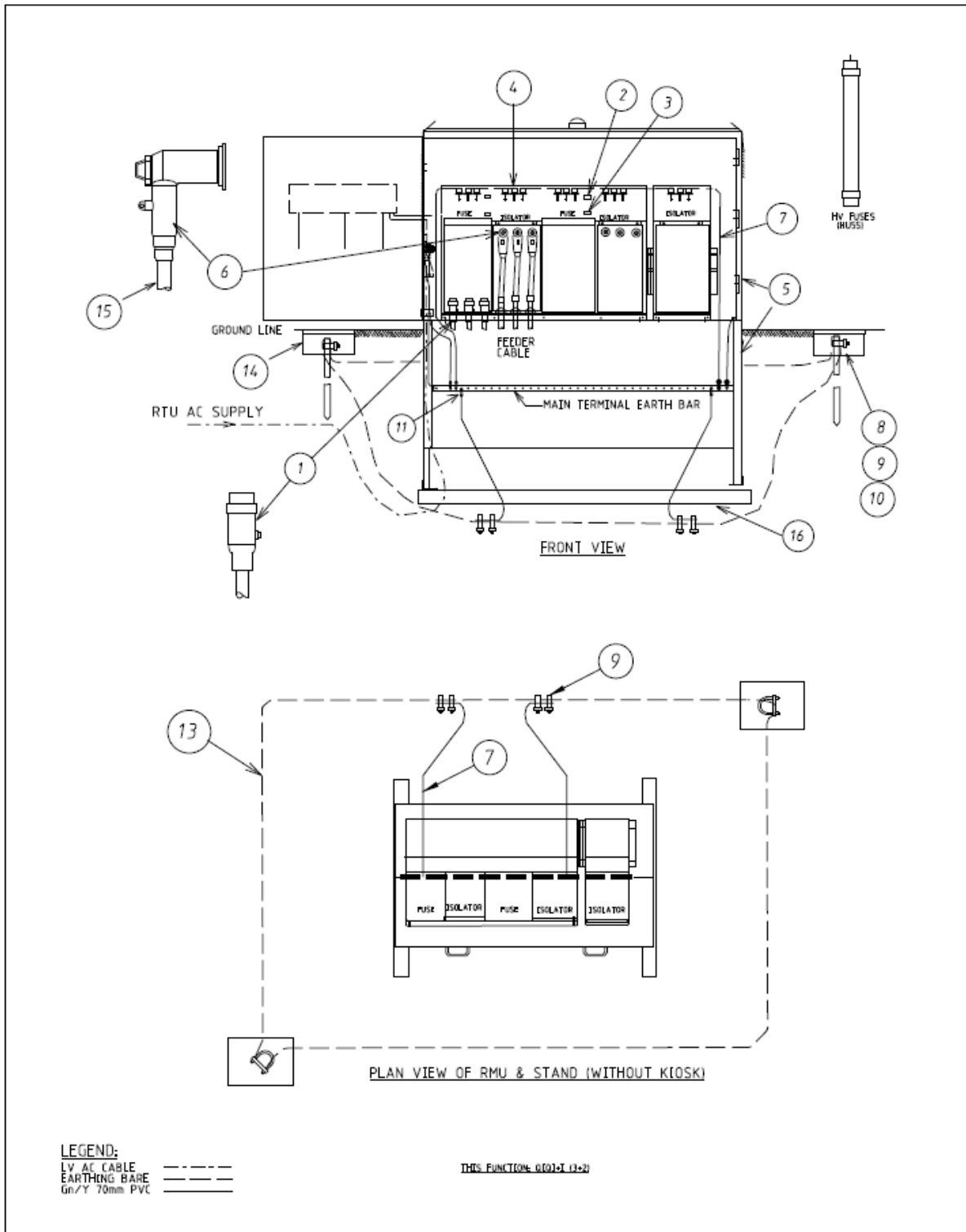
CU	CU DESCRIPTION
HU80_95	Switchgear kiosk 2+3 – 95mm cable, 22kV

ITEM NUMBER	STOCK NUMBER	DESCRIPTION	QTY RQD	UNIT OF MEASURE	REMARKS
1	FC0317	Straight connection	3	ea	
2	OH0211	padlock	5	ea	
3	OH0194	padlock	6	ea	
4	XA2625	switchgear 2+3	1	ea	Note 1
5	XAH2651	5 Way cabinet & stand, Cyclonic Rated	1	ea	
6	FCH0291	Elbow connector, 22kV for cable 95-240mm ² (set of 3)	2	set	
7	EE1264	conductor 70 mm pvc insulated copper green/yellow	5	m	
8	CE0135	earth rod	8	ea	
9	CE0058	earth clamp	6	ea	
10	CE0078	earth coupling	6	ea	
11	FL1465	earthing lug	6	ea	
13		Select from HU69		m	Note 2
14	CE0201	earth box	2	ea	
15	FE0044	Insulation Sleeving	9	ea	
16	CAH1017	Concrete Base to suit 4- or 5-way RMU	1	ea	

PROTECTED

CU	CU DESCRIPTION
HU80_400	Switchgear kiosk 2+3 – 185-400mm cable, 22kV

ITEM NUMBER	STOCK NUMBER	DESCRIPTION	QTY RQD	UNIT OF MEASURE	REMARKS
1	FC0317	Straight connection	3	ea	
2	OH0211	padlock	5	ea	
3	OH0194	padlock	6	ea	
4	XA2625	switchgear 2+3	1	ea	Note 1
5	XAH2651	5 Way cabinet & stand, Cyclonic Rated	1	ea	
6	FCH0294	Elbow connector, 33kV for 185-400mm ² cable (set of 3)	2	set	
7	EE1264	conductor 70 mm pvc insulated copper green/yellow	5	m	
8	CE0135	earth rod	12	ea	
9	CE0058	earth clamp	6	ea	
10	CE0078	earth coupling	12	ea	
11	FL1465	earthing lug	6	ea	
13		Select from HU69		m	Note 2
14	CE0201	earth box	2	ea	
15	FE0044	Insulation Sleeving	9	ea	
16	CAH1017	Concrete Base to suit 4- or 5-way RMU	1	ea	



 DISTRIBUTION DESIGN CATALOGUE OPERATIONS DIVISION	COMPATIBLE UNIT	REVISION 3	DATE 22/02/2024
	SCHNEIDER RM6 OUTDOOR SWITCHGEAR 3 + 2 WITH KIOSK (5 WAYS)	DRAWING No. HU81	

PROTECTED

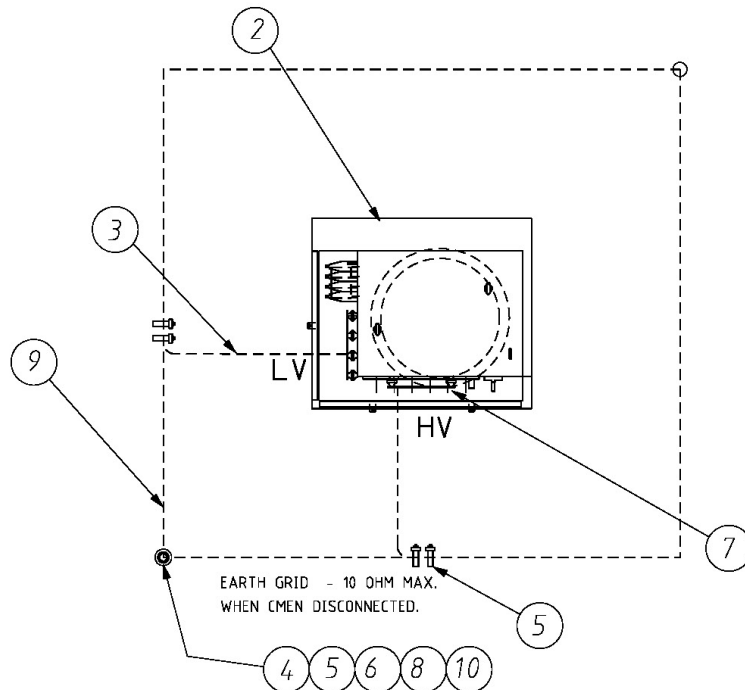
CU	CU DESCRIPTION
HU81_95	Switchgear kiosk 3+2 – 95mm cable, 22kV

ITEM NUMBER	STOCK NUMBER	DESCRIPTION	QTY RQD	UNIT OF MEASURE	REMARKS
1	FC0317	Straight connection	2	ea	
2	OH0211	Padlock	5	ea	
3	OH0194	Padlock	6	ea	
4	XA2626	switchgear 3+2	1	ea	Note 1
5	XAH2651	5 Way cabinet & stand, Cyclonic Rated	1	ea	
6	FCH0291	Elbow connector, 22kV for cable 95-240mm2 (set of 3)	3	set	
7	EE1264	conductor 70 mm pvc insulated copper green/yellow	5	m	
8	CE0135	earth rod	8	ea	
9	CE0058	earth clamp	6	ea	
10	CE0078	earth coupling	6	ea	
11	FL1465	earthing lug	6	ea	
13		Select from HU69		m	Note 2
14	CE0201	earth box	2	ea	
15	FE0044	Insulation Sleeving	6	ea	
16	CAH1017	Concrete Base to suit 4- or 5-way RMU	1	ea	

PROTECTED

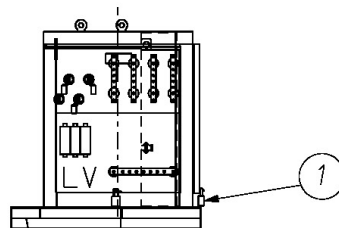
CU	CU DESCRIPTION
HU81_400	Switchgear kiosk 3+2 – 185-400mm cable, 22kV

ITEM NUMBER	STOCK NUMBER	DESCRIPTION	QTY RQD	UNIT OF MEASURE	REMARKS
1	FC0317	Straight connection	2	ea	
2	OH0211	Padlock	5	ea	
3	OH0194	Padlock	6	ea	
4	XA2626	switchgear 3+2	1	ea	Note 1
5	XAH2651	5 Way cabinet & stand, Cyclonic Rated	1	ea	
6	FCH0294	Elbow connector, 33kV for 185-400mm ² cable (set of 3)	3	set	
7	EE1264	conductor 70 mm pvc insulated copper green/yellow	5	m	
8	CE0135	earth rod	8	ea	
9	CE0058	earth clamp	6	ea	
10	CE0078	earth coupling	6	ea	
11	FL1465	earthing lug	6	ea	
13		Select from HU69		m	Note 2
14	CE0201	earth box	2	ea	
15	FE0044	Insulation Sleeving	6	ea	
16	CAH1017	Concrete Base to suit 4- or 5-way RMU	1	ea	

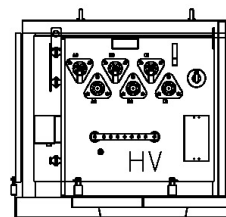


NOTE:

1. WHEN CMEN EARTH GRID IS CONNECTED COMBINED RESISTANCE OF 1 OHM OR LESS MUST BE ACHIEVED.
2. USE HU67 ON HV BUSHING IF NO CABLE IS CONNECTED TO SECOND SET OF BUSHINGS.



SIDE VIEW



FRONT VIEW

HORIZON POWER DISTRIBUTION DESIGN CATALOGUE OPERATIONS DIVISION	COMPATIBLE UNIT	REVISION 2	DATE 18/06/2020
	63kVA TRANSFORMER THREE PHASE 6 BUSHING	DRAWING No. HU82	

PROTECTED

CU	CU DESCRIPTION
HU82_63_11	Tx 63 kVA / 6-11 kV 3ph 6 bushing

ITEM NUMBER	STOCK NUMBER	DESCRIPTION	QTY RQD	UNIT OF MEASURE	REMARKS
1	OH0194	Padlock	3	ea	
2	XA2440	63 kVA transformer – Tyree	1	ea	
3	EE1264	conductor 70 mm pvc insulated copper green/yellow	5	m	
4	CE0135	earth rod	8	ea	
5	CE0058	earth clamp	6	ea	
6	CE0078	earth coupling	6	ea	
7	FL1465	earthing lug	4	ea	
7	FL1442	earth lug	20	ea	
9		Refer to HU69			Note 2
10	CE0201	earth box	2	ea	

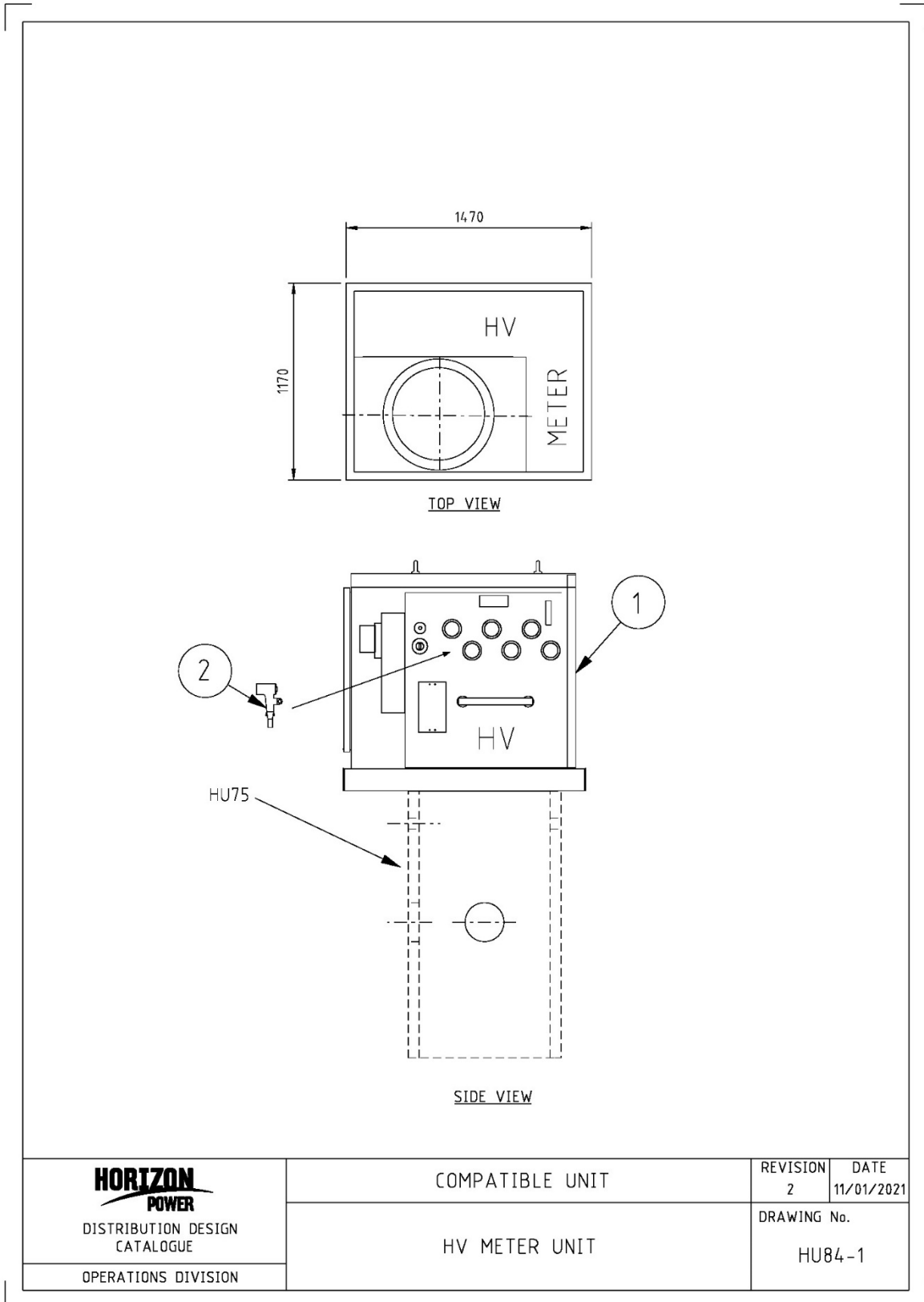
CU	CU DESCRIPTION
HU82_63_22	Tx 63 kVA / 22 kV 3ph 6 bushing

ITEM NUMBER	STOCK NUMBER	DESCRIPTION	QTY RQD	UNIT OF MEASURE	REMARKS
1	OH0194	Padlock	3	ea	
2	XA2441	63 kVA transformer – Tyree	1	ea	
3	EE1264	conductor 70 mm pvc insulated copper green/yellow	5	m	
4	CE0135	earth rod	8	ea	
5	CE0058	earth clamp	6	ea	
6	CE0078	earth coupling	6	ea	
7	FL1465	earthing lug	4	ea	
7	FL1442	earth lug	20	ea	
9		Refer to HU69			Note 2
10	CE0201	earth box	2	ea	

PROTECTED

CU	CU DESCRIPTION
HU82_63_33	Tx 63 kVA / 33 kV 3ph 6 bushing

ITEM NUMBER	STOCK NUMBER	DESCRIPTION	QTY RQD	UNIT OF MEASURE	REMARKS
1	OH0194	padlock	3	ea	
2	XA2442	63 kVA transformer (TYREE)	1	ea	
3	EE1264	conductor 70 mm pvc insulated copper green/yellow	5	m	
4	CE0135	earth rod	8	ea	
5	CE0058	earth clamp	6	ea	
6	CE0078	earth coupling	6	ea	
7	FL1465	earthing lug	4	ea	
7	FL1442	earth lug	20	ea	
9		Refer to HU69			Note 2
10	CE0201	earth box	2	ea	



HORIZON POWER DISTRIBUTION DESIGN CATALOGUE OPERATIONS DIVISION	COMPATIBLE UNIT	REVISION 2	DATE 11/01/2021
	HV METER UNIT	DRAWING No. HU84-1	

PROTECTED

CU	CU DESCRIPTION
HU84_11_95	11 kV groundmount metering – 95 mm cable

ITEM NUMBER	STOCK NUMBER	DESCRIPTION	QTY RQD	UNIT OF MEASURE	REMARKS
1	XA2426	11 kV Metering unit	1	ea	
2	FCH0291	Elbow 95 mm ² (set of 3)	2	ea	

CU	CU DESCRIPTION
HU84_11_400	11 kV groundmount metering – 185-400 mm cable

ITEM NUMBER	STOCK NUMBER	DESCRIPTION	QTY RQD	UNIT OF MEASURE	REMARKS
1	XA2426	11 kV Metering unit	1	ea	
2	FCH0294	Elbow 185-400 mm ² (set of 3)	2	ea	

CU	CU DESCRIPTION
HU84_22_95	22 kV groundmount metering – 95 mm cable

ITEM NUMBER	STOCK NUMBER	DESCRIPTION	QTY RQD	UNIT OF MEASURE	REMARKS
1	XA2430	22 kV Metering unit – Tyree	1	ea	
2	FCH0291	Elbow 95 mm ² (set of 3)	2	ea	

CU	CU DESCRIPTION
HU84_22_400	22 kV groundmount metering – 185-400 mm cable

ITEM NUMBER	STOCK NUMBER	DESCRIPTION	QTY RQD	UNIT OF MEASURE	REMARKS
1	XA2430	22 kV Metering unit – Tyree	1	ea	
2	FCH0294	Elbow 185-400 mm ² (set of 3)	2	ea	

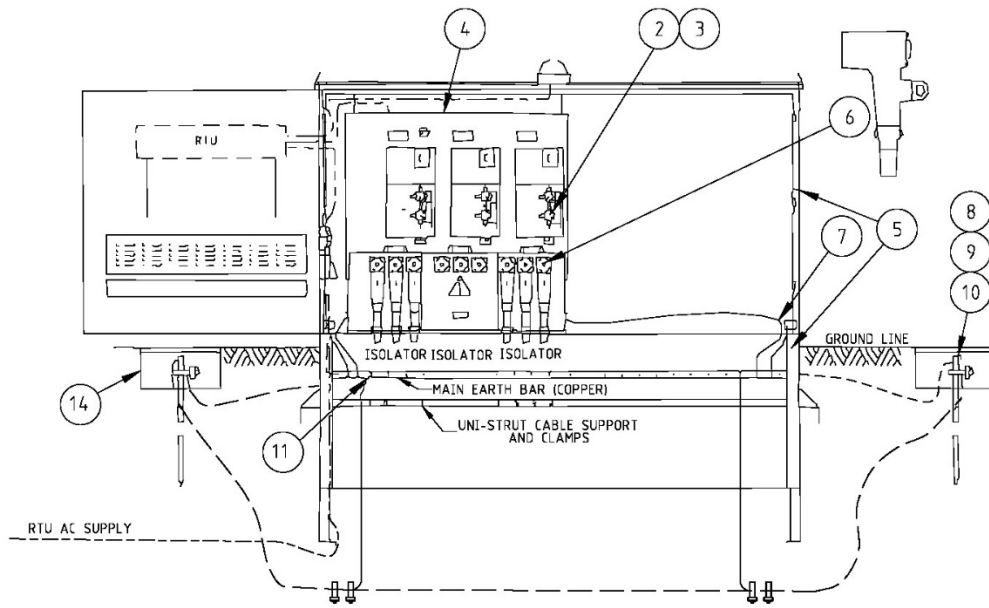
PROTECTED

CU	CU DESCRIPTION
HU84_33_95	33 kV groundmount metering – 95 mm cable

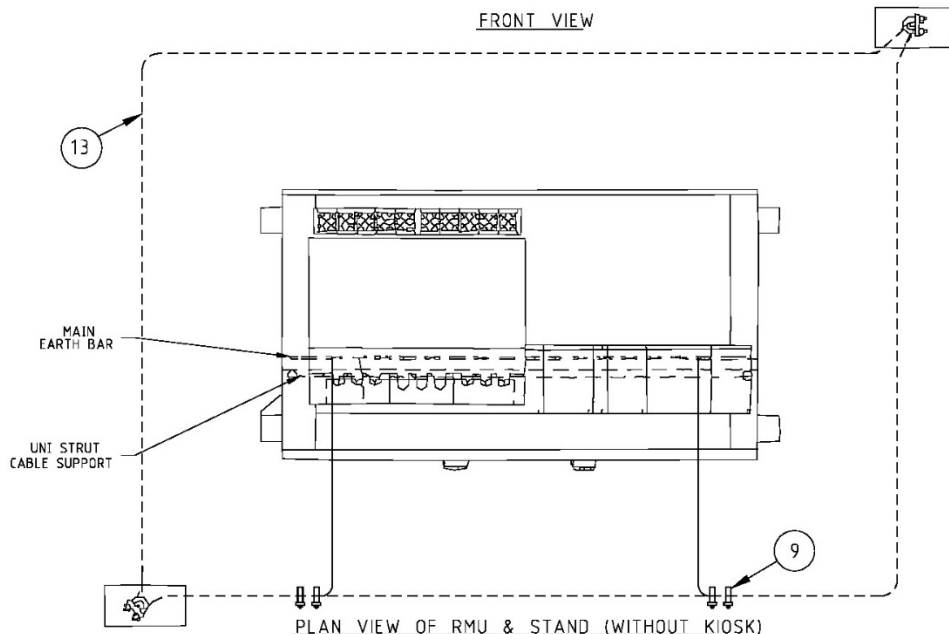
ITEM NUMBER	STOCK NUMBER	DESCRIPTION	QTY RQD	UNIT OF MEASURE	REMARKS
1	XA2257	33 kV Metering unit – Tyree	1	ea	
2	FCH0291	Elbow 95 mm ² (set of 3)	2	ea	

CU	CU DESCRIPTION
HU84_33_400	33 kV groundmount metering – 185-400 mm cable

ITEM NUMBER	STOCK NUMBER	DESCRIPTION	QTY RQD	UNIT OF MEASURE	REMARKS
1	XA2257	33 kV Metering unit – Tyree	1	ea	
2	FCH0294	Elbow 185-400 mm ² (set of 3)	2	ea	



FRONT VIEW



PLAN VIEW OF RMU & STAND (WITHOUT KIOSK)

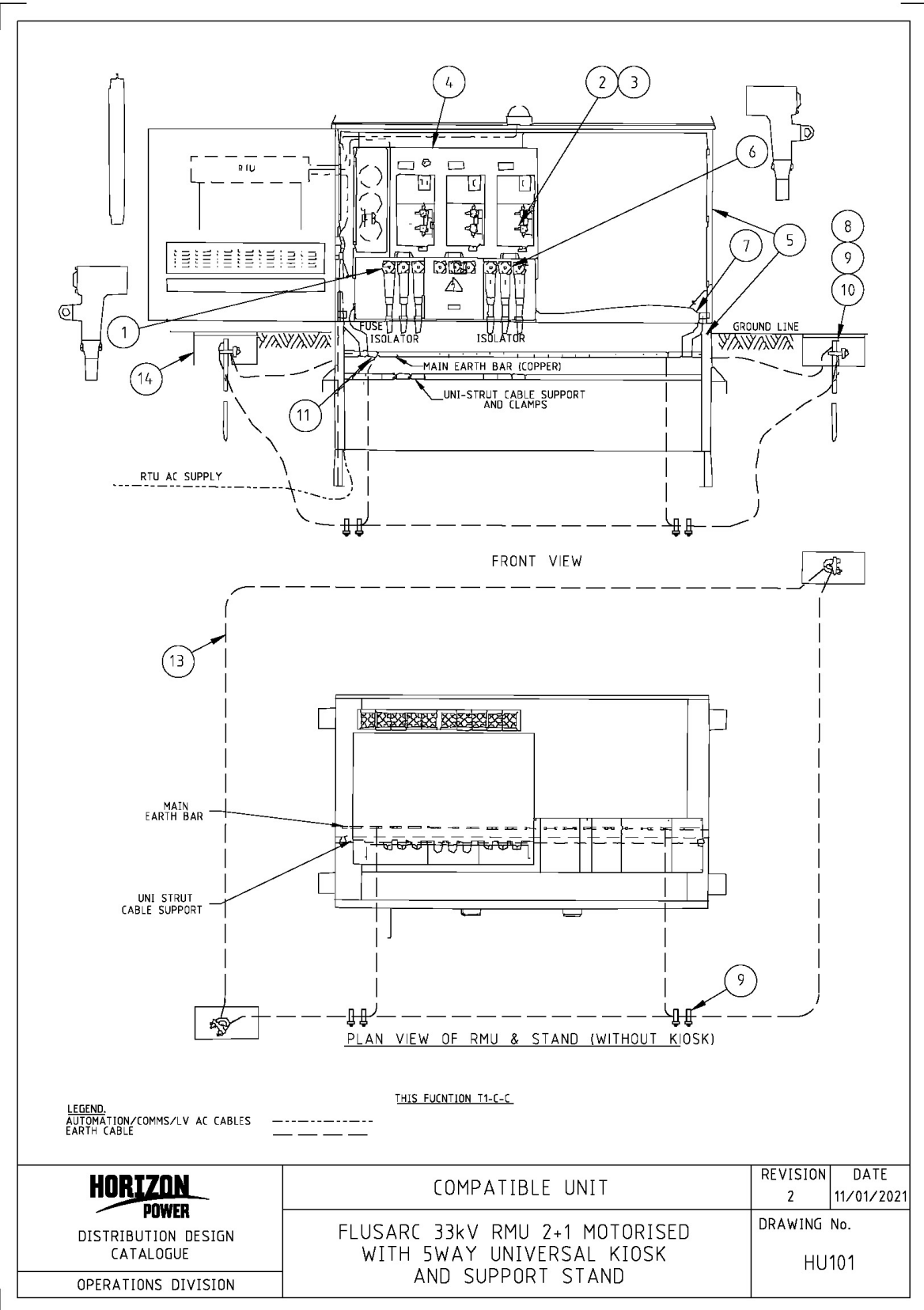
LEGEND.
 AUTOMATION/COMMS/LV AC CABLES - - - - - THIS FUNCTION C-C-C
 Gn/Y 70mm² PVC
 70mm² BARE

HORIZON POWER DISTRIBUTION DESIGN CATALOGUE OPERATIONS DIVISION	COMPATIBLE UNIT	REVISION 2	DATE 11/01/2021
	FLUSARC 33kV RMU 3+0 MOTORISED WITH 5WAY UNIVERSAL KIOSK AND SUPPORT STAND	DRAWING No. HU100	

PROTECTED

CU	CU DESCRIPTION
HU100_33	Flusarc switchgear kiosk 3+0 – 185-300 mm ² cable, 33 kV - motorised

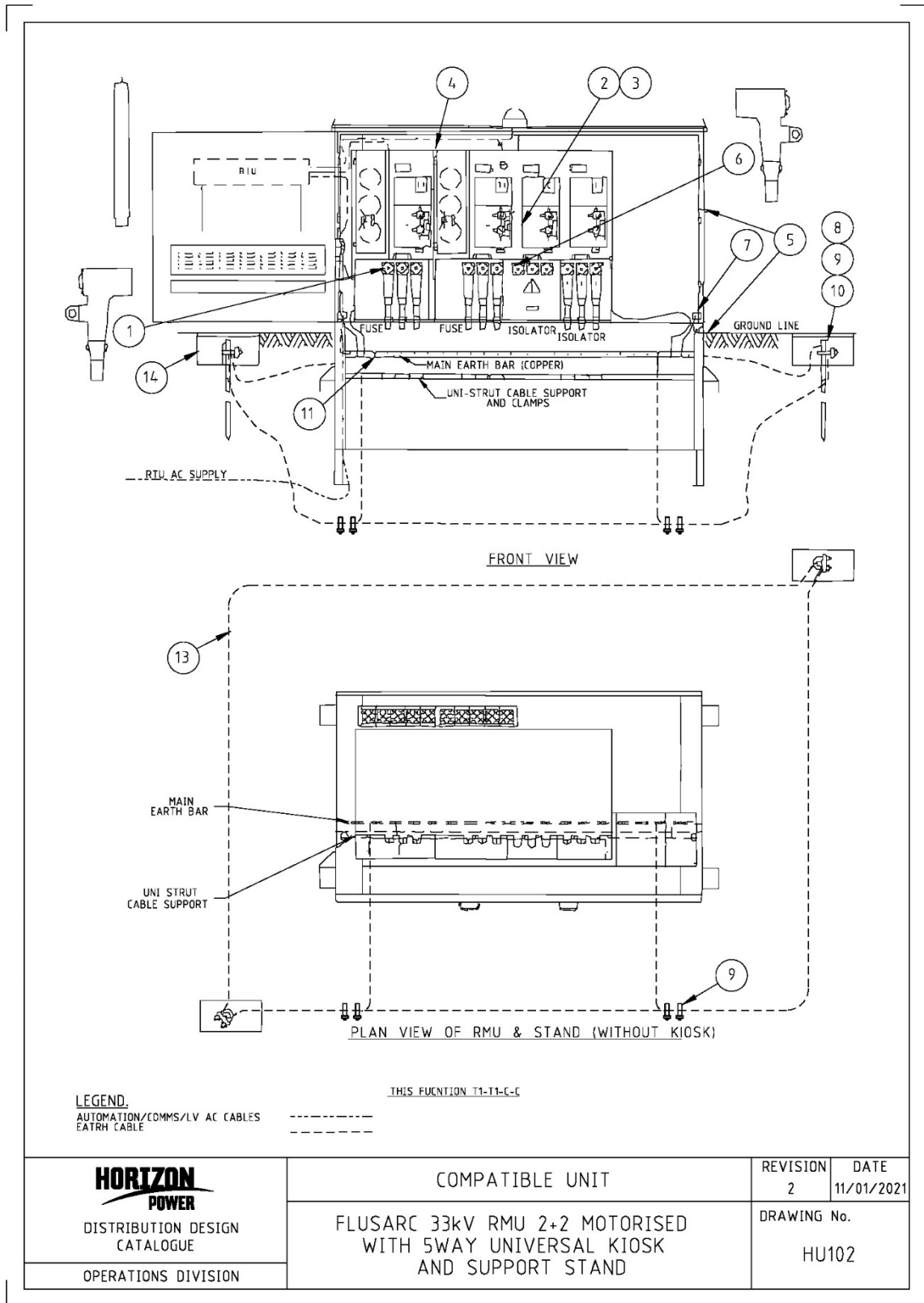
ITEM NUMBER	STOCK NUMBER	DESCRIPTION	QTY RQD	UNIT OF MEASURE	REMARKS
2	OH0211	Padlock–1–1/2IN brass case & steel Shackle	3	ea	
3	OH0194	Padlock-New restricted profile mast	4	ea	
4	XA2701	Flusarc 3+0 RMU 33 kV, 630 A, motorised	1	ea	
5	XAH2710	Flusarc 5-wayU Kiosk – Aluminium, painted, Cyclonic	1	ea	
6	FC1008	Elbow Connector, 185-300mm ²	3	set	
7	EE1264	conductor 70 mm pvc insulated copper green / yellow	10	m	
8	CE0135	earth rod	8	ea	
9	CE0058	earth clamp	6	ea	
10	CE0078	earth coupling	6	ea	
11	FL1465	earthing lug	6	ea	
13		Select from HU69		m	Note 2
14	CE0201	earth box	2	ea	



PROTECTED

CU	CU DESCRIPTION
HU101_33	Flusarc switchgear kiosk 2+1 – 185-300 mm ² cable, 33 kV - motorised

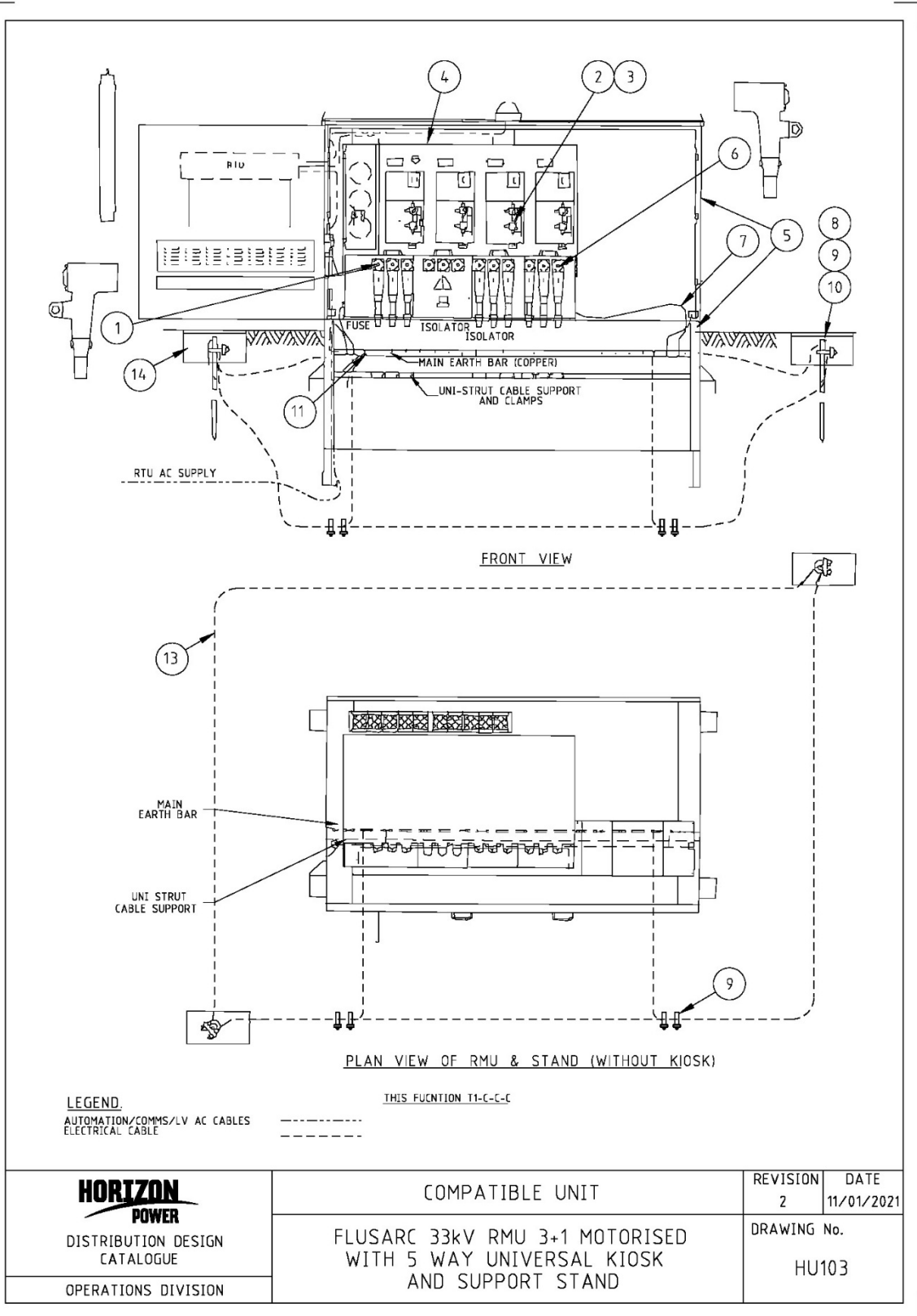
ITEM NUMBER	STOCK NUMBER	DESCRIPTION	QTY RQD	UNIT OF MEASURE	REMARKS
1	FC1009	Elbow Connector, 50-95mm ²	1	set	
2	OH0211	Padlock–1–1/2IN brass case & steel Shackle	3	ea	
3	OH0194	Padlock-New restricted profile mast	4	ea	
4	XA2702	Flusarc 2+1 RMU 33 kV, 630 A, motorised	1	ea	
5	XAH2710	Flusarc 5-wayU Kiosk – Aluminium, painted, Cyclonic	1	ea	
6	FC1008	Elbow Connector, 185-300mm ²	2	set	
7	EE1264	conductor 70 mm pvc insulated copper green / yellow	10	m	
8	CE0135	earth rod	8	ea	
9	CE0058	earth clamp	6	ea	
10	CE0078	earth coupling	6	ea	
11	FL1465	earthing lug	6	ea	
13		Select from HU69		m	Note 2
14	CE0201	earth box	2	ea	



PROTECTED

CU	CU DESCRIPTION
HU102_33	Flusarc switchgear kiosk 2+2 – 185-300 mm ² cable, 33 kV - motorised

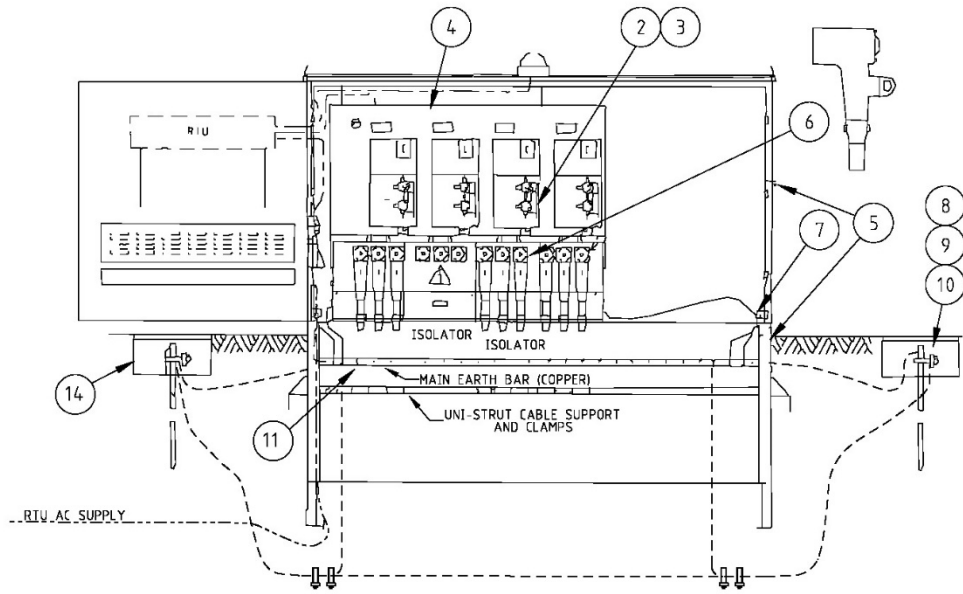
ITEM NUMBER	STOCK NUMBER	DESCRIPTION	QTY RQD	UNIT OF MEASURE	REMARKS
1	FC1009	Elbow Connector, 50-95mm ²	2	set	
2	OH0211	Padlock-1-1/2IN brass case & steel Shackle	4	ea	
3	OH0194	Padlock-New restricted profile mast	5	ea	
4	XA2703	Flusarc 2+2 RMU 33 kV, 630 A, motorised	1	ea	
5	XAH2710	Flusarc 5-wayU Kiosk – Aluminium, painted, Cyclonic	1	ea	
6	FC1008	Elbow Connector, 185-300mm ²	2	set	
7	EE1264	conductor 70 mm pvc insulated copper green / yellow	10	m	
8	CE0135	earth rod	8	ea	
9	CE0058	earth clamp	6	ea	
10	CE0078	earth coupling	6	ea	
11	FL1465	earthing lug	6	ea	
13		Select from HU69		m	Note 2
14	CE0201	earth box	2	ea	



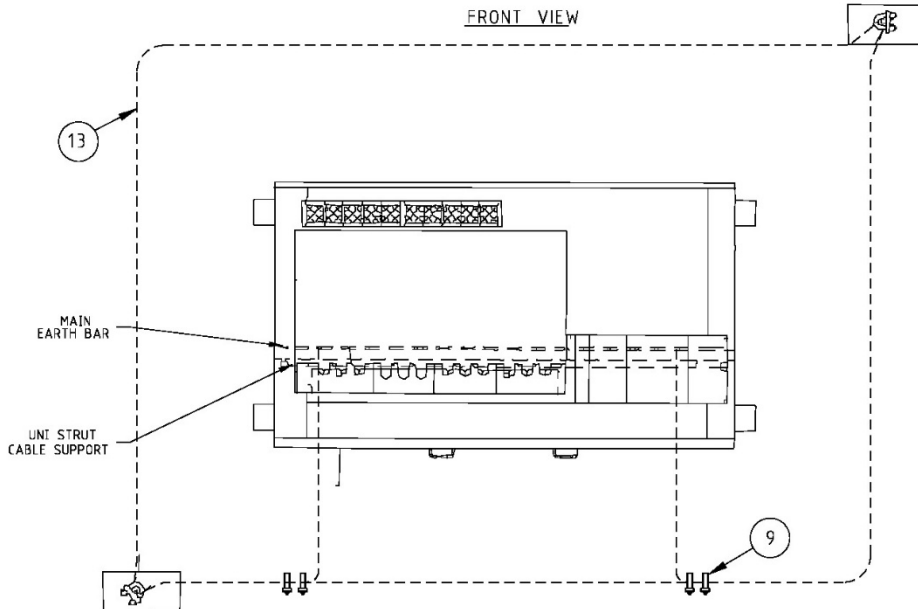
PROTECTED

CU	CU DESCRIPTION
HU103_33	Flusarc switchgear kiosk 3+1 – 185-300 mm ² cable, 33 kV - motorised

ITEM NUMBER	STOCK NUMBER	DESCRIPTION	QTY RQD	UNIT OF MEASURE	REMARKS
1	FC1009	Elbow Connector, 50-95mm ²	1	set	
2	OH0211	Padlock–1–1/2IN brass case & steel Shackle	4	ea	
3	OH0194	Padlock-New restricted profile mast	5	ea	
4	XA2704	Flusarc 3+1 RMU 33 kV, 630 A, motorised	1	ea	
5	XAH2710	Flusarc 5-wayU Kiosk – Aluminium, painted, Cyclonic	1	ea	
6	FC1008	Elbow Connector, 185-300mm ²	3	set	
7	EE1264	conductor 70 mm pvc insulated copper green / yellow	10	m	
8	CE0135	earth rod	8	ea	
9	CE0058	earth clamp	6	ea	
10	CE0078	earth coupling	6	ea	
11	FL1465	Lug, 70mm ² Cu, tin plated to suit M12 bolt	6	ea	
13		Select from HU69		m	Note 2
14	CE0201	earth box	2	ea	



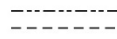
FRONT VIEW



PLAN VIEW OF RMU & STAND (WITHOUT KIOSK)

LEGEND

AUTOMATION/COMMS/LV AC CABLES
EARTH CABLE



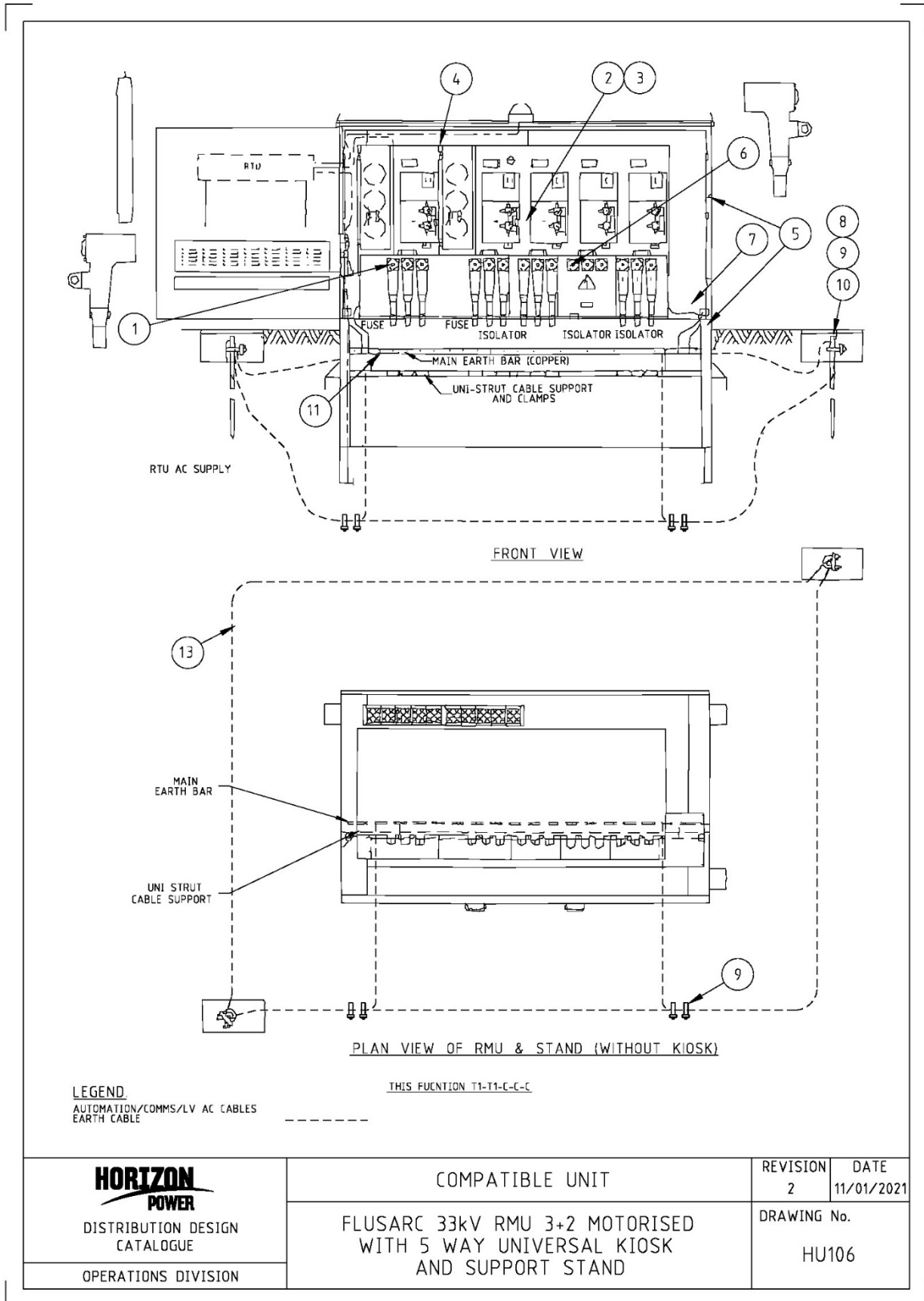
THIS FUNCTION C-C-C-C

HORIZON POWER DISTRIBUTION DESIGN CATALOGUE OPERATIONS DIVISION	COMPATIBLE UNIT	REVISION 2	DATE 11/01/2021
	FLUSARC 33kV RMU 4+0 MOTORISED WITH 5 WAY UNIVERSAL KIOSK AND SUPPORT STAND	DRAWING No. HU104	

PROTECTED

CU	CU DESCRIPTION
HU104_33	Flusarc switchgear kiosk 4+0 – 185-300 mm ² cable, 33 kV - motorised

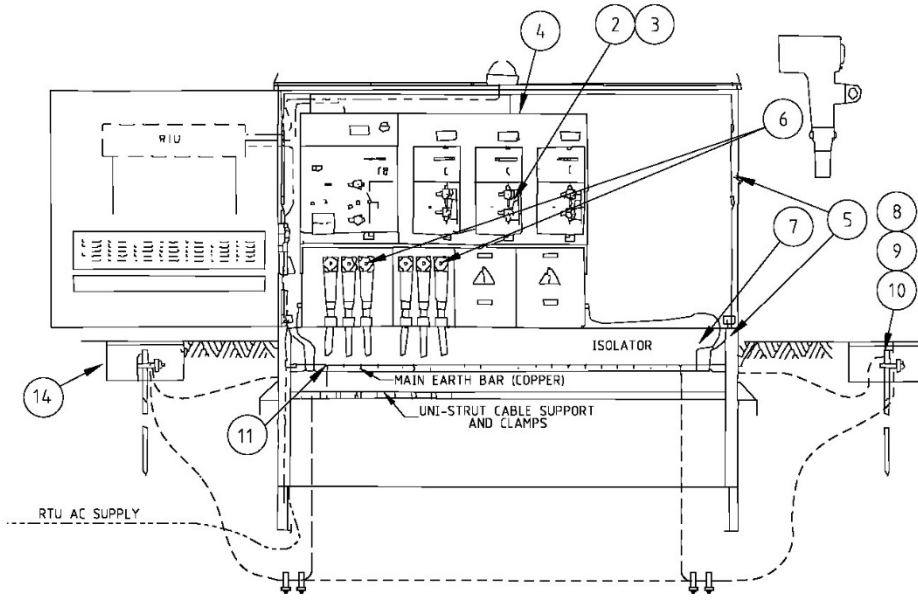
ITEM NUMBER	STOCK NUMBER	DESCRIPTION	QTY RQD	UNIT OF MEASURE	REMARKS
2	OH0211	Padlock – 1-1/2IN Brass Case & Steel Shackle	4	ea	
3	OH0194	Padlock – New restricted profile mast	5	ea	
4	XA2705	Flusarc 4+0 RMU 33 kV, 630 A, motorised	1	ea	
5	XAH2710	Flusarc 5-wayU Kiosk – Aluminium, painted, Cyclonic	1	ea	
6	FC1008	Elbow Connector, 185-300mm ²	4	set	
7	EE1264	conductor 70 mm pvc insulated copper green / yellow	10	m	
8	CE0135	earth rod	8	ea	
9	CE0058	earth clamp	6	ea	
10	CE0078	earth coupling	6	ea	
11	FL1465	Lug, 70mm ² Cu, tin plated to suit M12 bolt	6	ea	
13		Select from HU69		m	Note 2
14	CE0201	earth box	2	ea	



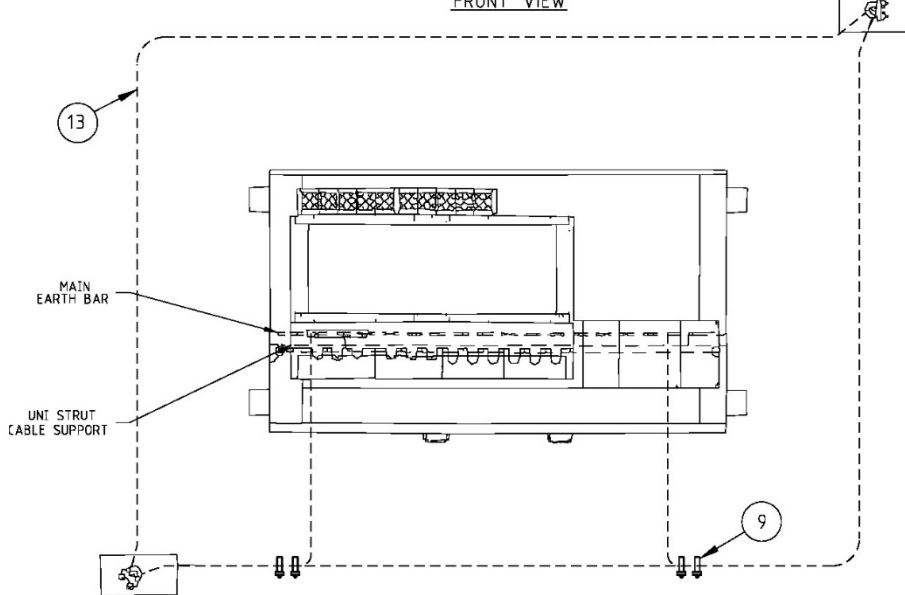
PROTECTED

CU	CU DESCRIPTION
HU106_33	Flusarc switchgear kiosk 3+2 – 185-300 mm ² cable, 33 kV - motorised

ITEM NUMBER	STOCK NUMBER	DESCRIPTION	QTY RQD	UNIT OF MEASURE	REMARKS
1	FC1009	Elbow Connector, 50-95mm ²	2	set	Fuse-switch
2	OH0211	Padlock–1–1/2IN brass case & steel Shackle	5	ea	
3	OH0194	Padlock-New restricted profile mast	4	ea	
4	XA2707	Flusarc 3+2 RMU 33 kV, 630 A, motorised	1	ea	
5	XAH2710	Flusarc 5-wayU Kiosk – Aluminium, painted, Cyclonic	1	ea	
6	FC1008	Elbow Connector, 185-300mm ²	3	set	Line-switch
7	EE1264	conductor 70 mm pvc insulated copper green/yellow	10	m	
8	CE0135	earth rod	8	ea	
9	CE0058	earth clamp	6	ea	
10	CE0078	earth coupling	6	ea	
11	FL1465	Lug, 70mm ² Cu, tin plated to suit M12 bolt	6	ea	
13		Select from HU69		m	Note 2
14	CE0201	earth box	2	ea	



FRONT VIEW



PLAN VIEW OF RMU & STAND (WITHOUT KIOSK)

LEGEND
 AUTOMATION/COMMS/LV AC CABLES - - - - -
 EARTH CABLE - - - - -

THIS FUNCTION TI-C-C-C

HORIZON POWER DISTRIBUTION DESIGN CATALOGUE OPERATIONS DIVISION	COMPATIBLE UNIT	REVISION 2	DATE 11/01/2021
	FLUSARC 33kV CB-C-C-C (1CB+3C) RMU WITH 5 WAY UNIVERSAL KIOSK AND SUPPORT STAND	DRAWING No. HU107	

PROTECTED

CU	CU DESCRIPTION
HU107_33	Flusarc switchgear kiosk CB-C-C-C – 185-300 mm ² cable, 33 kV - motorised

ITEM NUMBER	STOCK NUMBER	DESCRIPTION	QTY RQD	UNIT OF MEASURE	REMARKS
2	OH0211	Padlock–1–1/2IN brass case & steel Shackle	4	ea	
3	OH0194	Padlock-New restricted profile mast	5	ea	
4	XA2708	Flusarc CB-C-C-C RMU 33 kV, 630 A, motorised	1	ea	
5	XAH2710	Flusarc 5-wayU Kiosk – Aluminium, painted, Cyclonic	1	ea	
6	FC1008	Elbow Connector, 185-300mm ²	4	set	Line-switch
7	EE1264	conductor 70 mm pvc insulated copper green/yellow	10	m	
8	CE0135	earth rod	8	ea	
9	CE0058	earth clamp	6	ea	
10	CE0078	earth coupling	6	ea	
11	FL1465	Lug, 70mm ² Cu, tin plated to suit M12 bolt	6	ea	
13		Select from HU69		m	Note 2
14	CE0201	earth box	2	ea	

APPENDIX A – REVISION INFORMATION

(Informative) Horizon Power has endeavoured to provide standards of the highest quality and would appreciate notification if any errors are found or even queries raised.

Each Standard makes use of its own comment sheet which is maintained throughout the life of the standard, which lists all comments made by stakeholders regarding the standard.

The document **DM# 2304745** can be used to record any errors or queries found in or pertaining to this standard, which can then be addressed whenever the standard gets reviewed.

Date	Rev No.	Notes
	0	Western Power Supplied
01/07/2009	1	Original Horizon Power issue
11/01/2012	2	Change of Document Control
21/01/2014	3	<p>Index List CU Description</p> <ul style="list-style-type: none"> • HU1_33, HU2_33, HU5_33, HU6_33, HU7_33, HU8_33, HU9_33, HU13, HU14, HU16_33, HU56, HU80_33, HU81_33 removed. • HU1_240, HU2_240, HU13_95, HU13_300, HU13_400, HU14_95, HU14_300, HU14_400, HU100_33, HU101_33, HU102_33, HU103_33, HU104_33, HU106_33, HU107_33 added <p>CU Index Drawing</p> <ul style="list-style-type: none"> • HU30, HU56 removed • HU100, HU101, HU102, HU103, HU104, HU106, HU107 added • HU1, HU2, HU13, HU14, HU40, HU78, HU79 replace picture <p>HU1, HU2 Drawing - heading change</p> <p>HU1, HU2 Lists modified to new stock</p> <p>HU5, HU6, HU7, HU8, HU9 Drawings changed earthing arrangement</p> <p>HU5, HU6, HU7, HU8, HU9 Lists Items (6) modified to new stock and Item (9) changed from 3 to 6</p> <p>HU5_33, HU6_33, HU7_33, HU_8_33, HU9_33 Drawings and Lists - removed</p> <p>HU13, HU14 Drawings - heading change</p> <p>HU13, HU14 Lists modified to new stock</p> <p>HU16, HU17, HU18, HU19, HU20, HU21 Drawings removed earthing Item numbers</p> <p>HU16, HU17, HU18, HU19, HU20, HU21 Lists Items (11) modified to new stock and Item (5), (6), (7), (8), (9) removed</p> <p>HU20_1P Drawings removed earthing Item numbers and rearranged item numbers</p> <p>HU20_1P List Items (11) modified to new stock and earthing Items removed</p> <p>HU22, HU23, HU24, HU25 Lists Items (6) modified to new stock</p> <p>HU29 Drawing notes modified</p> <p>HU41 Drawing and List removed</p> <p>HU56 Drawing and List removed</p> <p>HU59, HU59A, HU60, HU60A, HU61 Drawings changed earthing arrangement</p> <p>HU59 Lists Item (10) changed from 6 to 10</p> <p>HU59O Lists Item (7) changed from 2 to 6</p>

PROTECTED

Date	Rev No.	Notes
		HU60 Lists Item (6) changed from 6 to 10 HU60O Lists Item (4) changed from 2 to 6 HU61 Lists Item (5) changed from 2 to 6 HU78 Lists modified to new stock HU80, HU81 Drawings changed earthing arrangement HU80, HU81 Lists Items (6) modified to new stock and Item (9) changed from 3 to 6 HU80_33, HU81-33 Drawing and List removed HU100, HU101, HU102, HU103, HU104, HU106, HU107 Drawings and Lists added
16/02/2021	4	Stock item descriptions updated for consistency. HU31 lists and drawing removed HU59_160_11 list removed HU59_160_22 list removed HU59O_160_11 list removed HU59O_160_22 list removed HU60_160_11 list removed HU60_160_22 list removed HU60O_160_11 list removed HU60O_160_22 list removed HU61_160_11 list removed HU61_160_22 list removed HU61_160_33 list removed HU69 drawing and lists added HU82 drawing and lists removed EM0012 removed and replaced with a note to select from HU69 for: <ul style="list-style-type: none"> • HU5_400 • HU5_A400 • HU6_400 • HU6_A400 • HU7_400 • HU7_A400 • HU8_400 • HU8_A400 • HU9_400 • HU9_A400 • HU59O_315_11 • HU59O_630_11 • HU59O_1000_11 • HU59O_315_22 • HU59O_630_22 • HU59O_1000_22 • HU59O_315_33 • HU59O_1000_33 • HU60_315_11 • HU60_630_11 • HU60_1000_11 • HU60O_315_22 • HU60O_630_22

Date	Rev No.	Notes
		<ul style="list-style-type: none"> • HU600_1000_22 • HU600_315_33 • HU600_1000_33 • HU61_315_11 • HU61_630_11 • HU61_315_22 • HU61_630_22 • HU61_315_33 • HU61_630_33 • HU80_95 • HU80_400 • HU81_95 • HU81_400 • HU100_33 • HU101_33 • HU102_33 • HU103_33 • HU104_33 • HU106_33 • HU107_33 <p>HU5_95 list removed</p> <p>HU5_A95 list removed</p> <p>HU6_95 list removed</p> <p>HU6_A95 list removed</p> <p>HU7_95 list removed</p> <p>HU7_A95 list removed</p> <p>HU8_95 list removed</p> <p>HU8_A95 list removed</p> <p>HU9_95 list removed</p> <p>HU9_A95 list removed</p> <p>HU22_95 list removed</p> <p>HU22_A95 list removed</p> <p>HU23_95 list removed</p> <p>HU23_A95 list removed</p> <p>HU25_2S_95 list removed</p> <p>HU25_3S_95 list removed</p> <p>XA2202 replaced with XA2408 in the list for:</p> <ul style="list-style-type: none"> • HU59_315_33 • HU59O_315_33 • HU60_315_33 • HU600_315_33 <p>XA2205 replaced with XA2410 in the list for:</p> <ul style="list-style-type: none"> • HU59_1000_33 • HU59O_1000_33 • HU60_1000_33 • HU600_1000_33 <p>XA2172 replaced with XA2420 in the list for:</p> <ul style="list-style-type: none"> • HU61_315_22

PROTECTED

Date	Rev No.	Notes
		<p>XA2176 replaced with XA2422 in the list for:</p> <ul style="list-style-type: none"> • HU61_630_22 <p>XA2201 replaced with XA2424 in the list for:</p> <ul style="list-style-type: none"> • HU61_315_33 <p>FL7688 is removed in the list for:</p> <ul style="list-style-type: none"> • HU17 • HU17_11 <p>FL7686 is removed in the list for:</p> <ul style="list-style-type: none"> • HU19 • HU19_11 <p>FL7687 is removed and CB3120 replaced with FM6308 in the list for:</p> <ul style="list-style-type: none"> • HU20 • HU20_1P <p>FC0150 and FC0484 are removed from HU28.</p> <p>FC0486 and FC0490 are removed from HU29.</p> <p>FJ0630 replaced with FJ0631 in the list for:</p> <ul style="list-style-type: none"> • HU28 • HU29 <p>New CU HU84_33_95 and HU84_33_400 added for 33kV Metering Unit.</p> <p>EEH2181 replaced with ECH1076 in the list for:</p> <ul style="list-style-type: none"> • HU59_315_11 • HU59_630_11 • HU59_1000_11 • HU59_315_22 • HU59_630_22 • HU59_1000_22 • HU59_315_33 • HU59_1000_33 • HU59O_315_11 • HU59O_630_11 • HU59O_1000_11 • HU59O_315_22 • HU59O_630_22 • HU59O_1000_22 <p>XA2651 replaced with XAH2651 in the list for:</p> <ul style="list-style-type: none"> • HU7_400 • HU7_A400 • HU8_400 • HU8_A400 • HU9_400 • HU9_A400 • HU80_95 • HU80_400 • HU81_95 <p>HU81_400</p>
04/05/2021	5	<p>New CU HU55_1500_11 has been added for Cartridge HRC Fused.</p> <p>Replace XA2650 with XAH2650 for CU</p> <ul style="list-style-type: none"> • HU5_400

Date	Rev No.	Notes
		<ul style="list-style-type: none"> • HU5_A400 • HU6_400 • HU6_A400 <p>Replace XA2175 (ABB) with XA2416 (Etel MKII) for CU</p> <ul style="list-style-type: none"> • HU61_630_11 <p>Remove CU:</p> <ul style="list-style-type: none"> • HU17 • HU17_11
19/08/2022	6	<p>Stock Code Added</p> <p>Stock Code: FM0200 - Cable Clamp</p> <ul style="list-style-type: none"> • HU59 • HU59O • HU60 • HU60O • HU61 <p>Stock Code: FM0201 and FM0203 - Cable Clamps</p> <ul style="list-style-type: none"> • HU59 • HU59O • HU60 • HU60O <p>Stock Code: GF1107 - 630A Fuse Link</p> <ul style="list-style-type: none"> • HU59_315_11 • HU59_315_22 • HU59_315_33 • HU59O_315_11 • HU59O_315_22 • HU59O_315_33 • HU60_315_11 • HU60_315_22 • HU60_315_33 • HU60O_315_11 • HU60O_315_22 • HU60O_315_33 • HU61_315_11 • HU61_315_22 • HU61_315_33 <p>Stock Code Changes</p> <p>Stock Code: FC0313 to FC0317 (Straight Connector)</p> <ul style="list-style-type: none"> • HU6 • HU7 • HU 8 • HU22 • HU23 • HU24 • HU25

PROTECTED

Date	Rev No.	Notes
		<p>Stock Code: FJ0338 to FJH0338 (Transition Joint)</p> <ul style="list-style-type: none"> • HU28 <p>Stock Code: FJ0403 to FJH0403 (Joint Box)</p> <ul style="list-style-type: none"> • HU29 <p>Stock Code: FC0311 to FC0316 Elbow Connector 22kV</p> <ul style="list-style-type: none"> • HU66 <p>Stock Code: FC0313 to FC0317 Straight Connector for RMU extensible fuse switch.</p> <ul style="list-style-type: none"> • HU79 • HU80_95 • HU81 <p>Stock Code: XA2185 to XA2445- FM0200 Non MPS – Tyree MKII</p> <ul style="list-style-type: none"> • HU59_315_11 • HU59O_315_11 • HU60_315_11 • HU60O_315_11 <p>Stock Code: XA2189 to XA2446 - 630 kVA Non MPS – Tyree MKII</p> <ul style="list-style-type: none"> • HU59_630_11 • HU59O_630_11 • HU60_630_11 • HU60O_630_11 <p>Stock Code: XA2191 to XA2447 - 1000 kVA Non MPS – Tyree MKII</p> <ul style="list-style-type: none"> • HU59_1000_11 • HU59O_1000_1 • HU60_1000_11 • HU60O_1000_1 <p>Stock Code: XA2186 to XA2448 - 315 kVA Non MPS – Tyree MKII</p> <ul style="list-style-type: none"> • HU59_315_22 • HU59O_315_22 • HU60_315_22 • HU60O_315_22 <p>Stock Code: XA2190 to XA2449 - 630 kVA Non MPS – Tyree MKII</p> <ul style="list-style-type: none"> • HU59_630_22 • HU59O_630_22 • HU60_630_22 • HU60O_630_22 <p>Stock Code: XA2192 to XA2450 - 1000 kVA Non MPS – Tyree MKII</p> <ul style="list-style-type: none"> • HU59_1000_22 • HU59O_1000_2 • HU60_1000_22 • HU60O_1000_2 <p>Stock Code: XA2408 to XA2451 - 315 kVA Non MPS – Tyree MKII</p> <ul style="list-style-type: none"> • HU59_315_33

PROTECTED

Date	Rev No.	Notes
		<ul style="list-style-type: none"> • HU59O_315_33 • HU60_315_33 • HU60O_315_33 <p>Stock Code: XA2409 to XA2452 - 630 kVA Non MPS – Tyree MKII</p> <ul style="list-style-type: none"> • HU59_630_33 • HU59O_630_33 • HU60_630_33 • HU60O_630_33 <p>Stock Code: XA2410 to XA2453 - 1000 kVA Non MPS – Tyree MKII</p> <ul style="list-style-type: none"> • HU59_1000_33 • HU59O_1000_3 • HU60_1000_33 • HU60O_1000_33 <p>Stock Code: XA2171 to XA2414 - 315 kVA MPS – ETEL MKII</p> <ul style="list-style-type: none"> • HU61_315_11 <p>Stock Code: XA2217 to XA2425 - 630 kVA MPS – ETEL MKII</p> <ul style="list-style-type: none"> • HU61_630_33 <p>Stock Code: XA2200 to XA2441 - 63 kVA - 6 Bushing – Tyree</p> <ul style="list-style-type: none"> • HU82_63_22 <p>Stock Code: XA2025 to XA2430 - 22kV Ground mounted metering unit – Tyree</p> <ul style="list-style-type: none"> • HU84_22_95
9/02/2024	7	<p>Concrete pad for RMU, Stockcode CAH1017</p> <ul style="list-style-type: none"> • HU5_400 • HU5_A400 • HU6_400 • HU6_A400 • HU7_400 • HU7_A400 • HU8_400 • HU8_A400 • HU9_400 • HU9_A400 <p>Stock Code: GF1107 to GF1103- 315kV Non-MPS Transformer</p> <ul style="list-style-type: none"> • HU59_315_11 • HU59_315_22 • HU59_315_33 • HU59O_315_11 • HU59O_315_22 • HU59O_315_33 • HU60_315_11 • HU60_315_22 • HU60_315_33 • HU60O_315_11 • HU60O_315_22 • HU60_315_33

PROTECTED

Date	Rev No.	Notes
		<p>Stockcode CA0001 to CAH1010 and CA0000 to CA1012 concrete pipe and box culvert</p> <ul style="list-style-type: none">• HU75• HU76 <p>Added CAH1017 concrete pad for 5 way RMU</p> <ul style="list-style-type: none">• HU80• HU81 <p>Updated Drawings</p> <ul style="list-style-type: none">• HU5• HU6• HU7• HU8• HU9