



DISTRIBUTION DESIGN

CATALOGUE

Section 12

**SL – Street Lighting**

HPC-1DC-07-0012-2014

For application to  
Horizon Power  
Electricity Distribution Networks

Document Control		
<b>Revision 8 Author</b>	<b>Name:</b> Mondli Moyo <b>Position:</b> Power Systems Engineer	
<b>Reviewed</b>	<b>Name:</b> Paul Savig <b>Position:</b> Senior Standards Engineer	
<b>Endorsed By</b>	<b>Name:</b> Johnathan Choi <b>Position:</b> Standards and Plant Manager	
<b>Approved By</b>	<b>Name:</b> Victor Cheng <b>Position:</b> Manager Engineering and Project Services	
<b>Date Created/Last Updated</b>	05 August 2022	
<b>Review Frequency **</b>	Annually	
<b>Next Review Date **</b>	05 August 2023	

*\*\* Frequency period is dependent upon circumstances– maximum is 5 years from last issue, review, or revision whichever is the latest. If left blank, the default shall be 1 year unless otherwise specified.*

Revision Control		
Revision	Date	Description
8	05/08/2022	Implementation of technical bulletin 22-02 3000k LED Luminaires

*Refer to Appendix A for Full Revision History.*

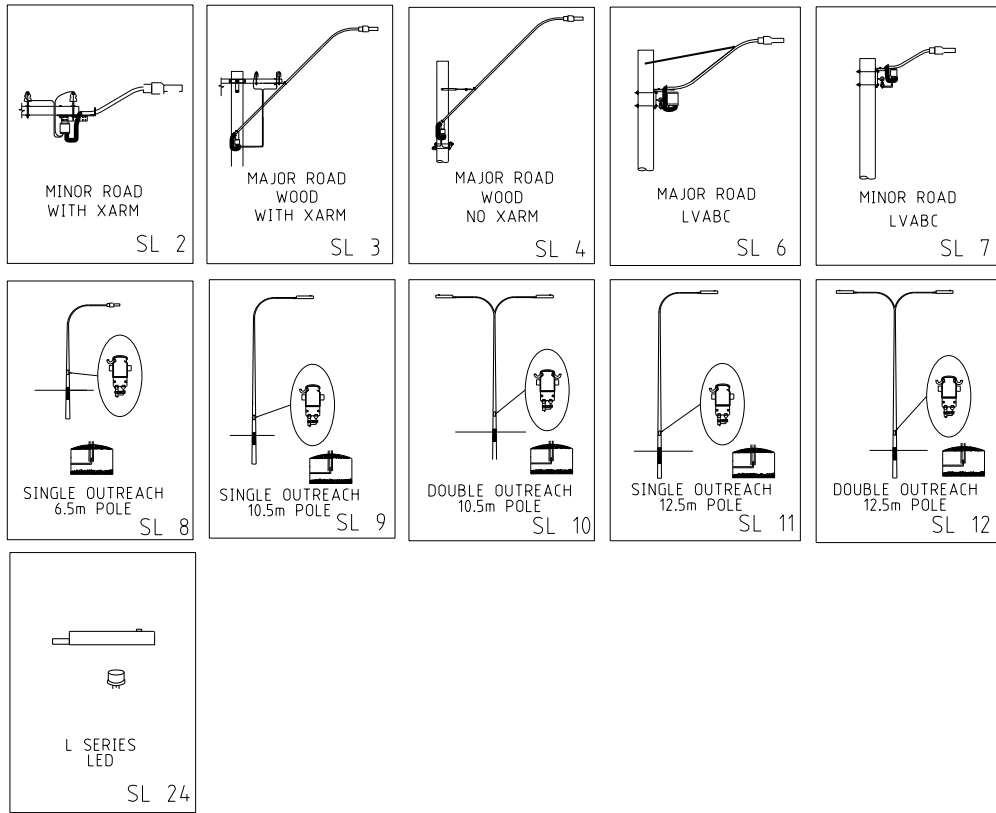
<b>STAKEHOLDERS</b> The following positions shall be consulted if an update or review is required:	<b>NOTIFICATION LIST</b> The following positions shall be notified of any authorised change:
<b>Asset Managers</b>	<b>Field Practice Coordinators</b>
<b>Work Delivery Managers</b>	<b>Logistics Managers</b>
<b>Asset Service Delivery Manager</b>	<b>EPCM Contracts Manager</b>

## STREET LIGHTS LIST

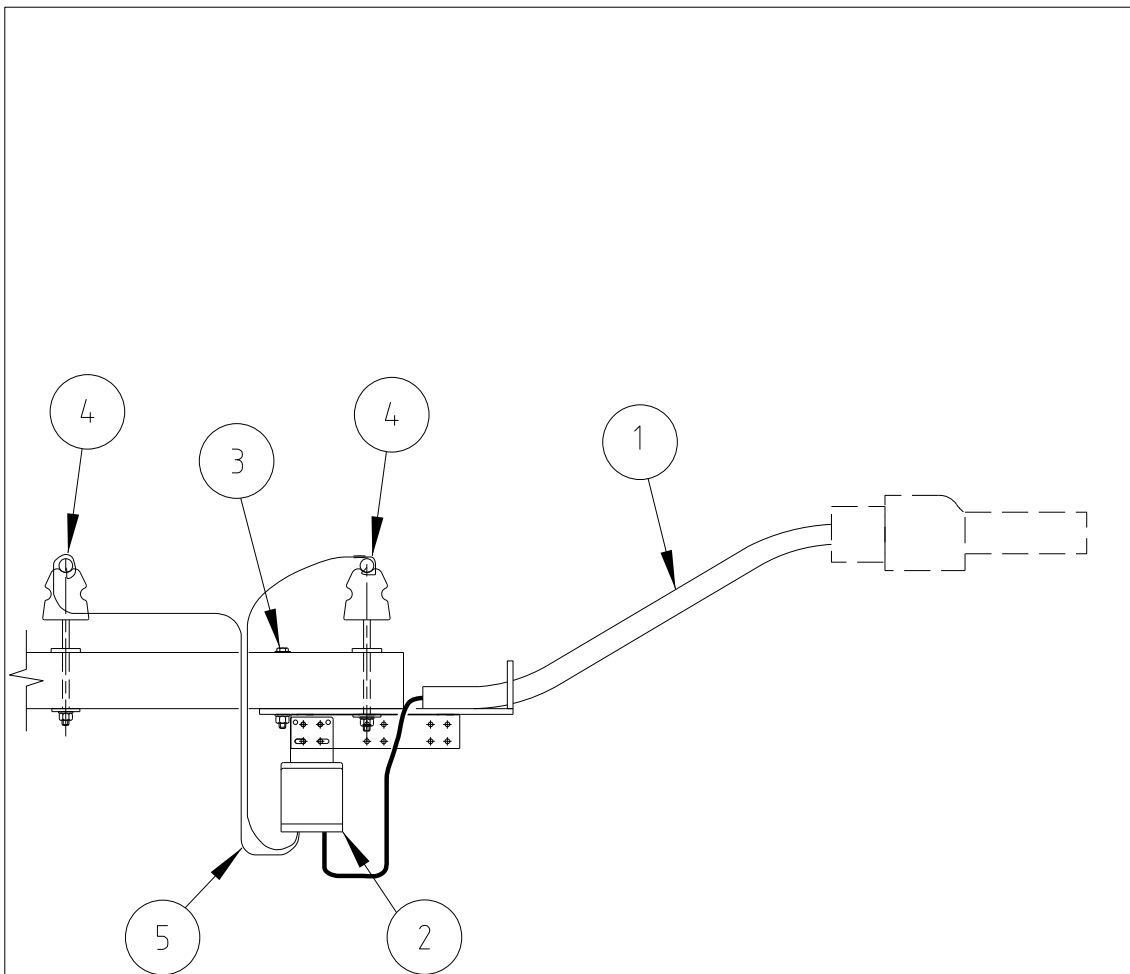
CU	CU DESCRIPTION
<a href="#">SL2</a>	Minor road - pole with crossarm
<a href="#">SL3</a>	Major road - pole with crossarm
<a href="#">SL4</a>	Major road - pole without crossarm
<a href="#">SL6</a>	Major road – pole with LVABC
<a href="#">SL7</a>	Minor road – pole with LVABC
<a href="#">SL8</a>	Single-outreach steel standard 6.5m – Non Cyclonic
<a href="#">SL8_C</a>	Single-outreach steel standard 6.5m – Cyclonic
<a href="#">SL9</a>	Single-outreach steel standard 10.5m – Non Cyclonic
<a href="#">SL9_C</a>	Single-outreach steel standard 10.5m - Cyclonic
<a href="#">SL10</a>	Double-outreach steel standard 10.5m – Non Cyclonic
<a href="#">SL10_C</a>	Double-outreach steel standard 10.5m - Cyclonic
<a href="#">SL11</a>	Single-outreach steel standard 12.5m – Non Cyclonic
<a href="#">SL11_C</a>	Single-outreach steel standard 12.5m – Cyclonic
<a href="#">SL12</a>	Double-outreach steel standard 12.5m – Non Cyclonic
<a href="#">SL12_C</a>	Double-outreach steel standard 12.5m - Cyclonic
<a href="#">SL24_L2</a>	Luminaire L-Series 16W L2 LED & PE cell
<a href="#">SL24_L3</a>	Luminaire L-Series 43W L3 LED & PE cell
<a href="#">SL24_L4</a>	Luminaire L-Series 70W L4 LED & PE cell
<a href="#">SL24_L6</a>	Luminaire L-Series 140W L6 LED & PE cell

Note No.	Description
1	See Table 1 below for compatibility with legacy units. The table can be used as guidance for replacement of existing luminaires. For new installations, detailed design to Australian Standards is required due to the large number of variables involved.
2	For existing Copper conductor, the Aluminium clamp FC0110 to be replaced with the: <ul style="list-style-type: none"> <li>• FC0160 clamp for conductor with a cross section <math>\leq 16 \text{ mm}^2</math></li> <li>• FC0161 clamp for conductor with a cross section <math>&gt; 16 \text{ mm}^2</math> and <math>\leq 35 \text{ mm}^2</math></li> <li>• FC0163 clamp for conductor with a cross section <math>&gt; 35 \text{ mm}^2</math> and <math>\leq 95 \text{ mm}^2</math>.</li> </ul>
3	16 W LED Luminaire is suitable existing streetlight replacement when spacing between streetlights is less than: <ul style="list-style-type: none"> <li>• 35 m (6.5 m height) for Pathway (Cat PP4) width of 6 m</li> <li>• 65 m (6.5 m height) for Roadway (Cat PR5) width of 14 m</li> <li>• 75 m (6.5 m height) for Roadway (Cat PR6) width of 15 m</li> </ul> If spacing is greater, lighting design in compliance with AS/NZS 1158 is required. (Refer to DM# 19396342 for details)
4	16 W LED Luminaire is not suitable for installation on 10.5 m and 12.5 m Steel Standard Streetlight Pole.
5	Designer to allow for conduit installation (GC0025) depending on design requirement. Book out LU10_SLTERM for redspot fuse and 16SL cable termination kit.
6	For Legacy 150 W and 250 W HPS Luminaires, check for existing stock in stores: If required for 150 W HPS Luminaire: Please use Stock codes GL0752 x 1, HL5557 x 1, HL6145 x 1 If required for 250 W HPS Luminaire: Please use Stock codes GL0755 x 1, HL5557 x 1, HL6146 x 1
7	Direct supply from AD Coote on cyclone rated streetlight metal columns as per technical bulletin 22-02 Stock code changes: CW0255 -> CWH0255 6.5m galvanised standard streetlight column CW1330 -> CWH1330 10.5m galvanised standard streetlight column CW1329 -> CWH1329 12.5m galvanised standard streetlight column CW0278 -> CWH0278 3m galvanised single outreach CW0279 -> CWH0279 3m galvanised double outreach
8	The 3000K series luminaires are not suitable for use in turtle nesting environments. Suitable fittings can be purchased directly from the supplier. Please email <a href="mailto:standards.library@horizonpower.com.au">standards.library@horizonpower.com.au</a> for the supplier contact information.

Table 1 – Comparison table for superseded luminaires.					
Gas Discharge Luminaires	'LU' Series LED Luminaires	'U' Series LED Luminaires	Eco Luminaire	'L' Series LED 4000K Luminaires	'L' Series LED 3000K Luminaires
(SUPERSEDED)					(NEW)
CFL 42 W HL6231	LU2 56 W HLH3320	U2 30 W HLH3323	ECO 18 W HL6232	L2 20 W HL6300	L2 16 W <sup>3&amp;4</sup> HL6601
MV 80 W HL0708	LU2 56 W HLH3320	U2 30 W HLH3323		L2 20 W HL6300	L2 16 W <sup>3&amp;4</sup> HL6601
MH 70 W GL1887	LU2 56 W HLH3320	U2 30 W HLH3323		L2 20 W HL6300	L2 16 W <sup>3&amp;4</sup> HL6601
MV 125 W HL6140	LU2 56 W HLH3320			L3 53 W HL6303	L3 43 W HL6605
HPS 150 W HL6145	LU4 112 W HLH3321	U4 120 W HLH3324		L4 80 W HL6309	L4 70 W HL6610
HPS 250 W HL6146	LU6 210 W HLH3322	U6 180 W HLH3326		L6 160 W HL6312	L6 140 W HL6613
MH 250 W HL6138				L6 160 W HL6312	L6 140 W HL6613




 DISTRIBUTION DESIGN CATALOGUE OPERATIONS DIVISION	COMPATIBLE UNIT	REVISION 3	DATE 06/11/2020
	SL COMPATIBLE UNITS	DRAWING No. SL INDEX	



**NOTE:**

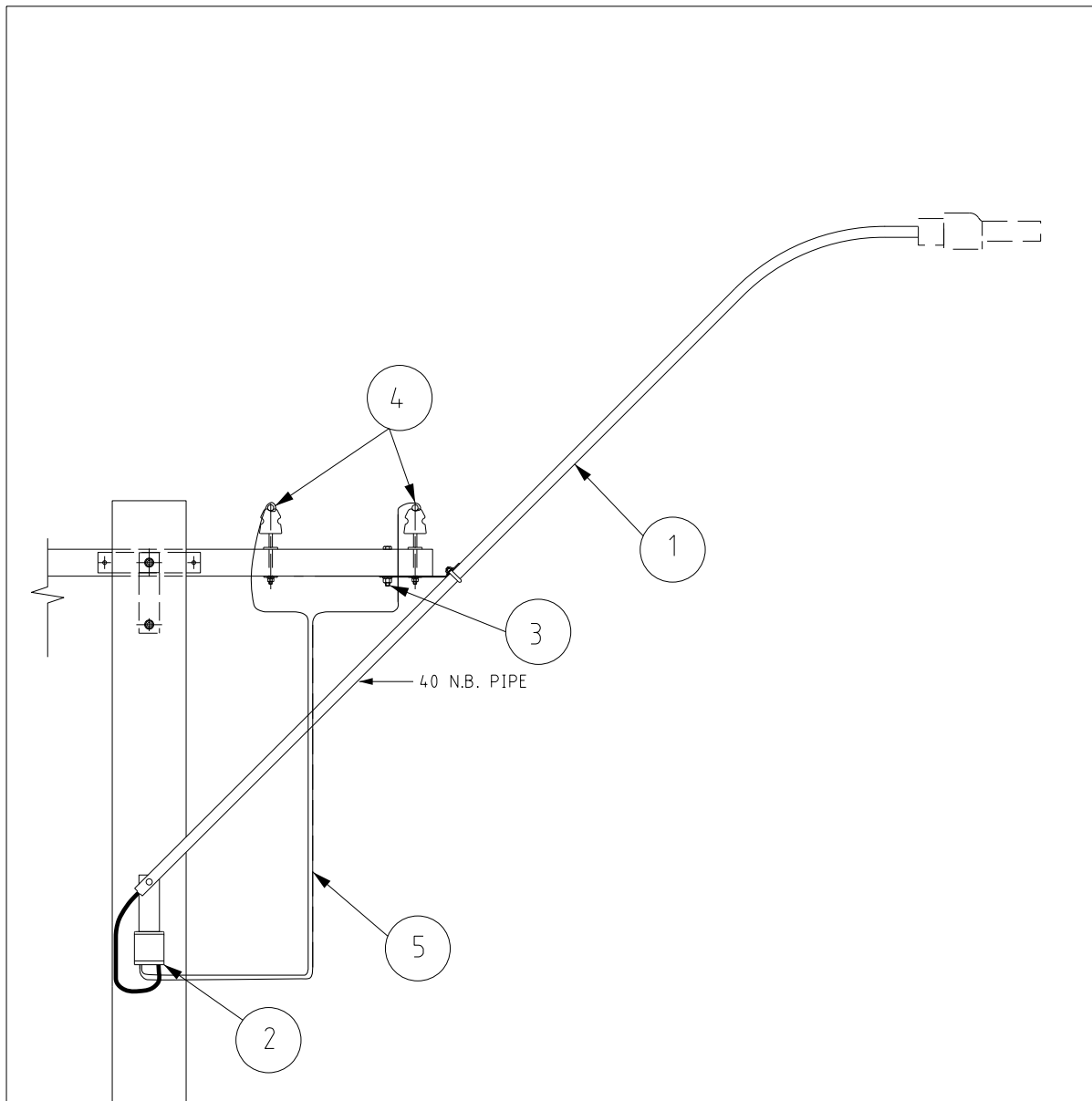
IN COCKATOO-PRONE AREAS, THE CABLE IS TO BE ENCLOSED IN 16mm UV-STABILISED FLEXIBLE CONDUIT EXTENDING 150mm INTO THE STREETLIGHT BRACKET (STOCK CODE GC0041).

 DISTRIBUTION DESIGN CATALOGUE	COMPATIBLE UNIT	REVISION 2	DATE 07/10/2020
	MINOR ROAD POLE WITH CROSSARM	DRAWING No. SL2	


CU	CU DESCRIPTION
SL2	Minor road – pole with crossarm

ITEM NUMBER	STOCK NUMBER	DESCRIPTION	QTY RQD	UNIT OF MEASURE	REMARKS
1	CB0424	Streetlight bracket, Galvanized steel, for minor road	1	ea	
2	GF0925	Fuse cartridge HRC, 10 amp, offset blades 62mm	1	ea	
2	GF1804	Fuse holder for luminaire	1	ea	
3	AB4567	Bolt M12 x 150mm long with nut	1	ea	
4	FC0110	Clamp, bi-metal service tee connector	2	ea	Note 2
5	EE1120	Cable, service 6mm <sup>2</sup> x 2 core Cu XLPE, 240V	2	mr	



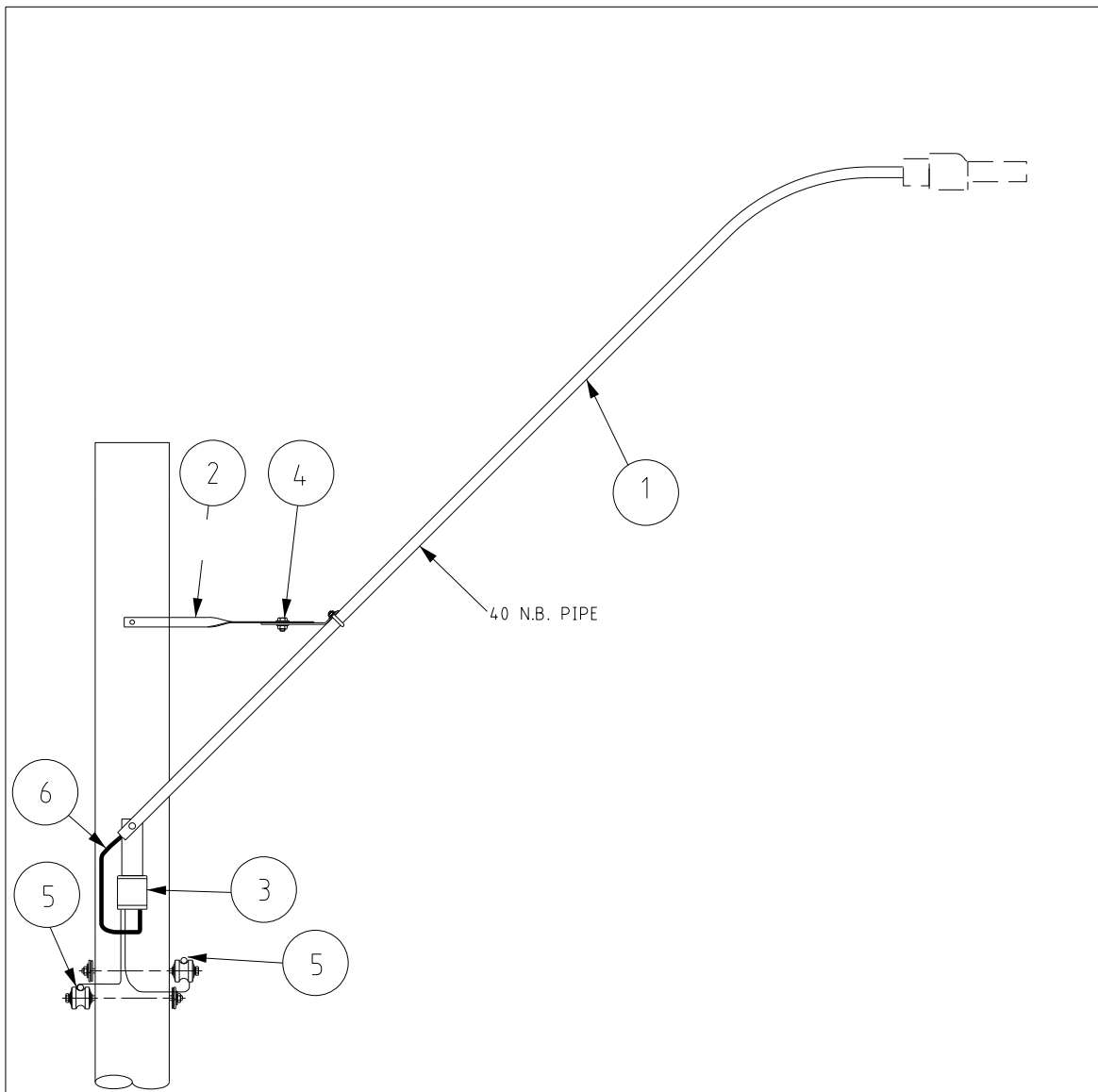


NOTE:  
IN COCKATOO-PRONE AREAS, THE CABLE IS TO BE ENCLOSED IN 16mm UV-STABILISED FLEXIBLE CONDUIT EXTENDING 150mm INTO THE STREETLIGHT BRACKET (STOCK CODE GC0041).


 DISTRIBUTION DESIGN CATALOGUE	COMPATIBLE UNIT	REVISION 2	DATE 07/10/2020
	MAJOR ROAD POLE WITH CROSSARM	DRAWING No. SL3	

CU	CU DESCRIPTION
SL3	Major road – pole with crossarm

ITEM NUMBER	STOCK NUMBER	DESCRIPTION	QTY RQD	UNIT OF MEASURE	REMARKS
1	CB0278	Streetlight bracket, Galvanized steel, c/w nuts and bolts	1	ea	
2	GF1804	Fuse holder for luminaire	1	ea	
2	GF0925	Fuse cartridge HRC, 10 amp, offset blades 62mm	1	ea	
3	AB4567	Bolt M12 x 150mm long with nut	1	ea	
4	FC0110	Clamp, bi-metal service tee connector	2	ea	Note 2
5	EE1120	Cable, service 6mm <sup>2</sup> x 2 core Cu XLPE, 240V	2	mr	

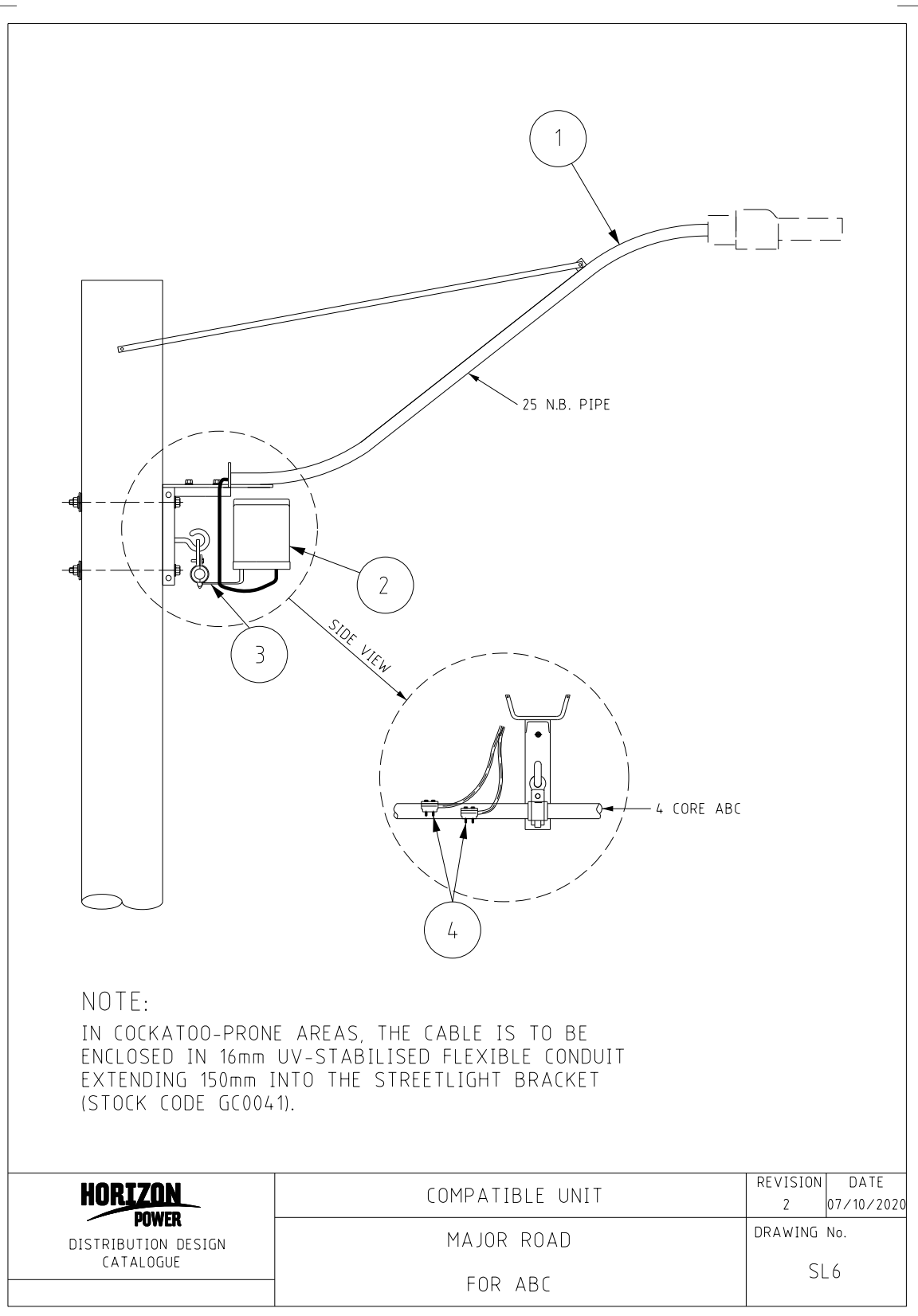


NOTE:  
IN COCKATOO-PRONE AREAS, THE CABLE IS TO BE ENCLOSED IN 16mm UV-STABILISED FLEXIBLE CONDUIT EXTENDING 150mm INTO THE STREETLIGHT BRACKET (STOCK CODE GC0041).

 DISTRIBUTION DESIGN CATALOGUE	COMPATIBLE UNIT	REVISION 2	DATE 07/10/2020
	MAJOR ROAD POLE WITHOUT CROSSARM	DRAWING No. SL4	

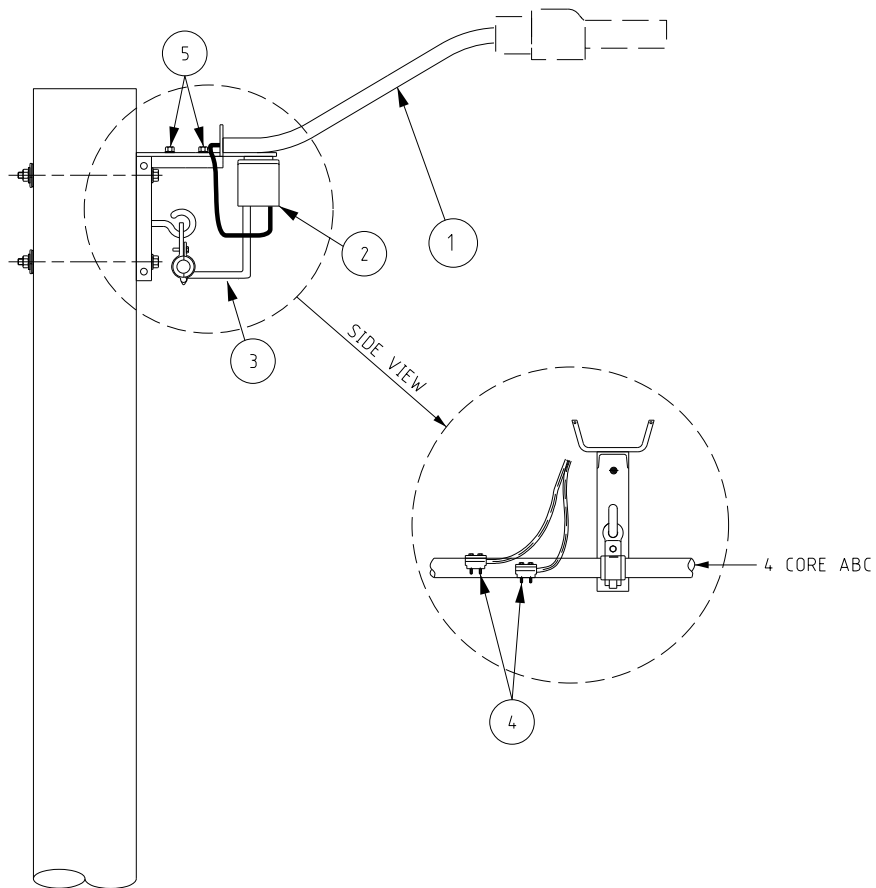
CU	CU DESCRIPTION
SL4	Major road – pole without crossarm

ITEM NUMBER	STOCK NUMBER	DESCRIPTION	QTY RQD	UNIT OF MEASURE	REMARKS
1	CB0278	Streetlight bracket, Galvanized steel, c/w nuts and bolts	1	ea	
2	CB0548	Twisted bracket for major streetlight bracket	2	ea	
3	GF1804	Fuse holder for luminaire	1	ea	
3	GF0925	Fuse cartridge HRC, 10 amp, offset blades 62mm	1	ea	
4	AB4551	Bolt, M12 x 40mm long with nut	1	ea	
5	FC0110	Clamp, bi-metal service tee connector	2	ea	Note 2
6	EE1120	Cable, service 6mm <sup>2</sup> x 2 core Cu XLPE, 240V	2	mr	




CU	CU DESCRIPTION
SL6	Major road – pole with LVABC

ITEM NUMBER	STOCK NUMBER	DESCRIPTION	QTY RQD	UNIT OF MEASURE	REMARKS
1	CB0430	Streetlight bracket, galv, c/w nuts and bolts, for LVABC	1	ea	
1	AB4603	Bolt M16 x 65mm c/w nut	2	ea	
2	GF1804	Fuse holder for LED luminaire	1	ea	
2	GF0925	Fuse cartridge HRC, 10 amp, offset blades 62mm	1	ea	
3	EE1120	Cable, service 6mm <sup>2</sup> x 2 core Cu XLPE, 240V	2	mr	
4		Select IPC clamps from CN68	2	ea	



**NOTE:**

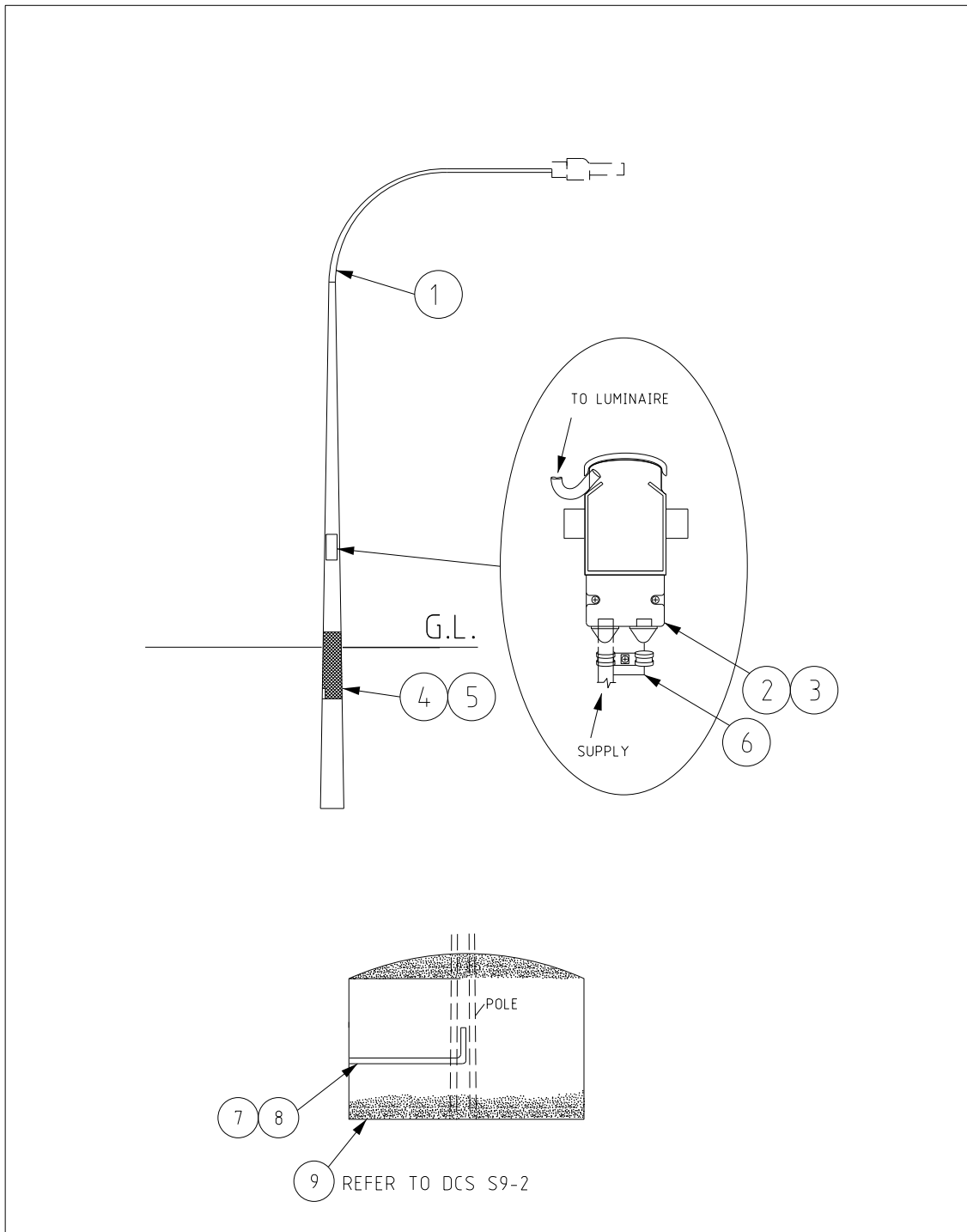
IN COCKATOO-PRONE AREAS THE CABLE IS TO BE ENCLOSED IN 16mm UV-STABILISED FLEXIBLE CONDUIT EXTENDING 150mm INTO THE STREETLIGHT BRACKET (STOCK CODE GC0041).

 DISTRIBUTION DESIGN CATALOGUE OPERATIONS DIVISION	COMPATIBLE UNIT	REVISION 2	DATE 07/10/2020
	MINOR ROAD POLE WITH LVABC	DRAWING No. SL7	

CU	CU DESCRIPTION
SL7	Minor road – pole with LVABC

ITEM NUMBER	STOCK NUMBER	DESCRIPTION	QTY RQD	UNIT OF MEASURE	REMARKS
1	CB0424	Streetlight bracket, Galvanized steel, for minor road	1	ea	
2	GF1804	Fuse holder for luminaire	1	ea	
2	GF0925	Fuse cartridge HRC, 10 amp, offset blades 62mm	1	ea	
3	EE1120	Cable, service 6mm <sup>2</sup> x 2 core Cu XLPE, 240V	2	mr	
4		Select IPC clamps from CN68	2	ea	
5	AB4603	Bolt M16 x 65mm c/w nut	2	ea	





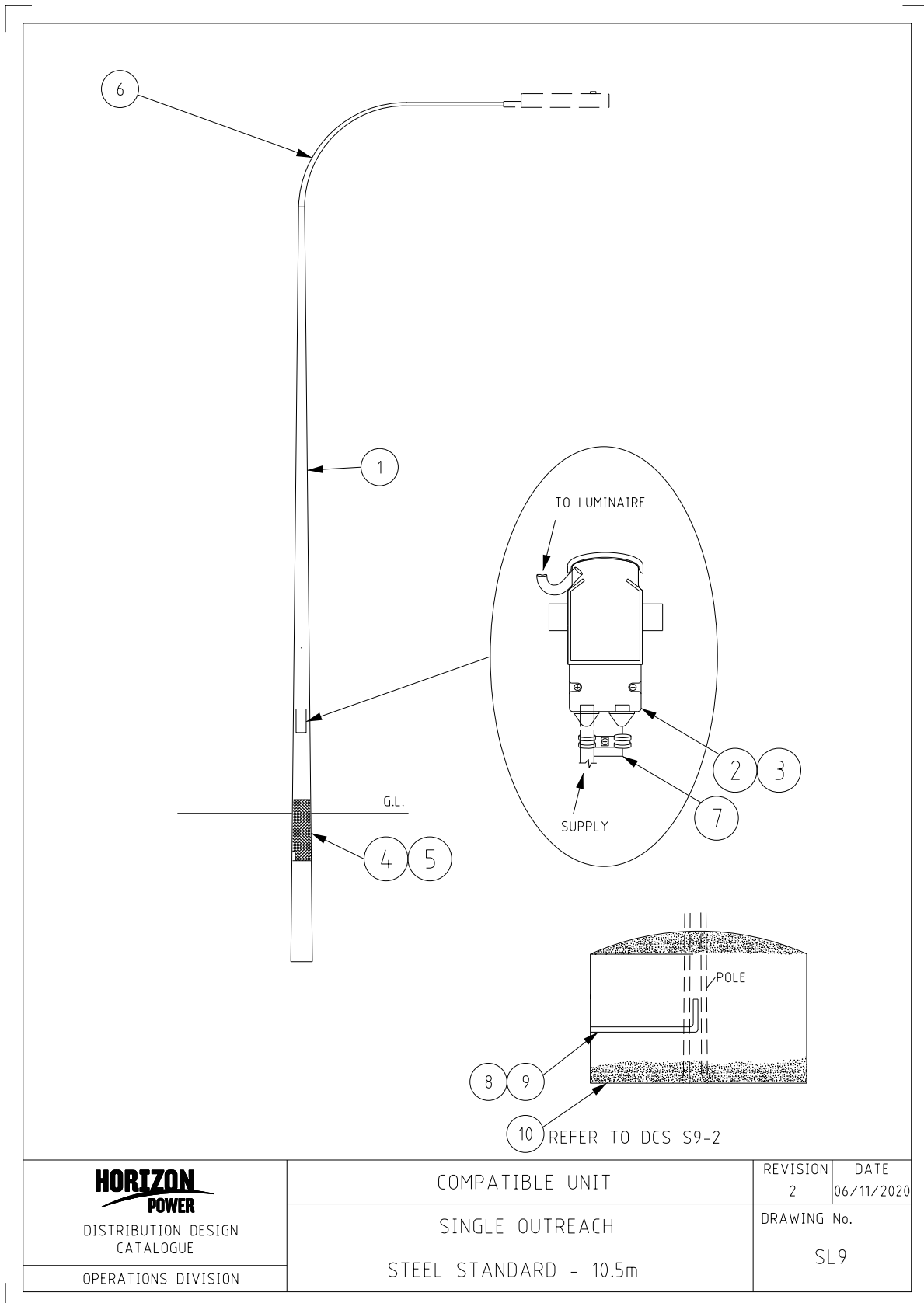
<p><b>HORIZON</b> <b>POWER</b></p> <p>DISTRIBUTION DESIGN CATALOGUE</p> <p>OPERATIONS DIVISION</p>	COMPATIBLE UNIT	REVISION 2	DATE 07/10/2020
	SINGLE OUTREACH	DRAWING No.	
	STEEL STANDARD - 6.5m	SL8	

CU	CU DESCRIPTION
SL8	Single-outreach – steel standard 6.5m – Non Cyclonic

ITEM NUMBER	STOCK NUMBER	DESCRIPTION	QTY RQD	UNIT OF MEASURE	REMARKS
1	CWH0255	Streetlight pole 6.5m, single outreach, Galvanized steel	1	ea	Note 5
2	GF1300	Fuse cartridge, 10 amp for streetlight cut-out	1	ea	
3	HZ0131	Streetlight cut-out, Bill type	1	ea	
4	HTH0001	Denso fabric tape with petrolatum, 100mm x 10m roll	1	ea	
5	HTH0003	Denso Aluminium Backed Self Adhesive Water and Weather Proof, 100mm x 10m roll	1	ea	
6	HZ0135	Cable Clamp Bracket	1	ea	

CU	CU DESCRIPTION
SL8_C	Single-outreach – steel standard 6.5m – Cyclonic

ITEM NUMBER	STOCK NUMBER	DESCRIPTION	QTY RQD	UNIT OF MEASURE	REMARKS
1	CWH0255	Streetlight pole 6.5m, single outreach, Galvanized steel	1	ea	Note 5
2	GF1300	Fuse cartridge, 10 amp for streetlight cut-out	1	ea	
3	HZ0131	Streetlight cut-out, Bill type	1	ea	
4	HTH0001	Denso fabric tape with petrolatum, 100mm x 10m roll	1	ea	
5	HTH0003	Denso Aluminium Backed Self Adhesive Water and Weather Proof, 100mm x 10m roll	1	ea	
6	HZ0135	Cable Clamp Bracket	1	ea	
7	GC0022	Conduit heavy-duty PVC 25 mm, 4 m long, orange	1	lg	
8	GC0477	Orange PVC bend conduit (90 degree)	1	ea	
9	N/A	Concrete Base for Cyclonic Region	1	ea	Contractor Cost Only

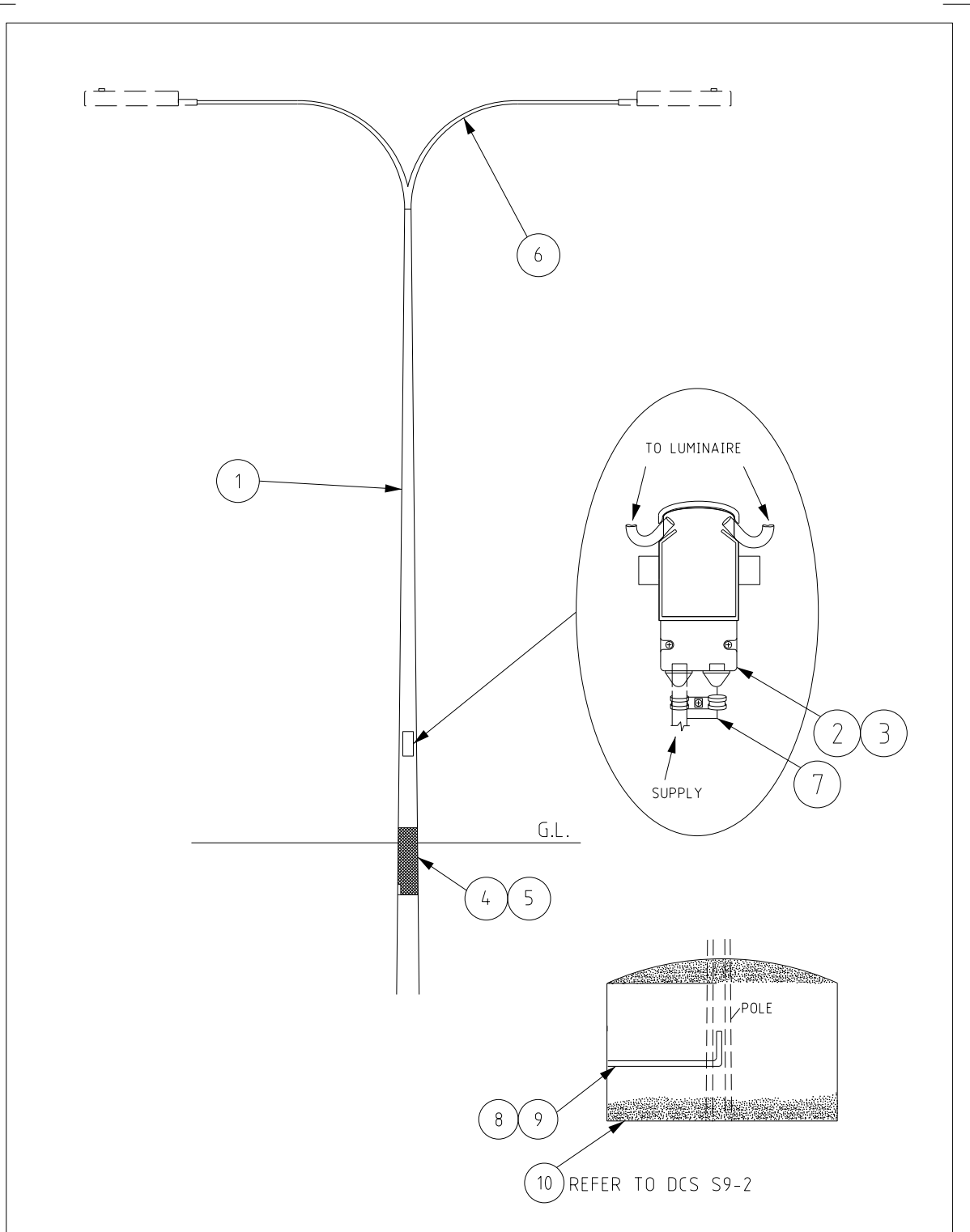


CU	CU DESCRIPTION
SL9	Single-outreach – steel standard 10.5m – Non Cyclonic

ITEM NUMBER	STOCK NUMBER	DESCRIPTION	QTY RQD	UNIT OF MEASURE	REMARKS
1	CWH1330	Streetlight pole 10.5m, Galvanized steel	1	ea	Note 5
2	GF1300	Fuse cartridge 10 amp	1	ea	
3	HZ0131	Streetlight cut-out, Bill type	1	ea	
4	HTH0001	Denso fabric tape with petrolatum, 100mm x 10m roll	2	ea	
5	HTH0003	Denso Aluminium Backed Self Adhesive Water and Weather Proof, 100mm x 10m roll	2	ea	
6	CWH0278	Single outreach arm for streetlight pole	1	ea	
7	HZ0135	Cable Clamp Bracket	1	ea	

CU	CU DESCRIPTION
SL9_C	Single-outreach – steel standard 10.5m – Cyclonic

ITEM NUMBER	STOCK NUMBER	DESCRIPTION	QTY RQD	UNIT OF MEASURE	REMARKS
1	CWH1330	Streetlight pole 10.5m, Galvanized steel	1	ea	Note 5
2	GF1300	Fuse cartridge 10 amp	1	ea	
3	HZ0131	Streetlight cut-out, Bill type	1	ea	
4	HTH0001	Denso fabric tape with petrolatum, 100mm x 10m roll	2	ea	
5	HTH0003	Denso Aluminium Backed Self Adhesive Water and Weather Proof, 100mm x 10m roll	2	ea	
6	CWH0278	Single outreach arm for streetlight pole	1	ea	
7	HZ0135	Cable Clamp Bracket	1	ea	
8	GC0022	Conduit heavy-duty PVC 25 mm, 4 m long, orange	1	lg	
9	GC0477	Orange PVC bend conduit (90 degree)	1	ea	
10	N/A	Concrete Base for Cyclonic Region	1	ea	Contractor Cost Only



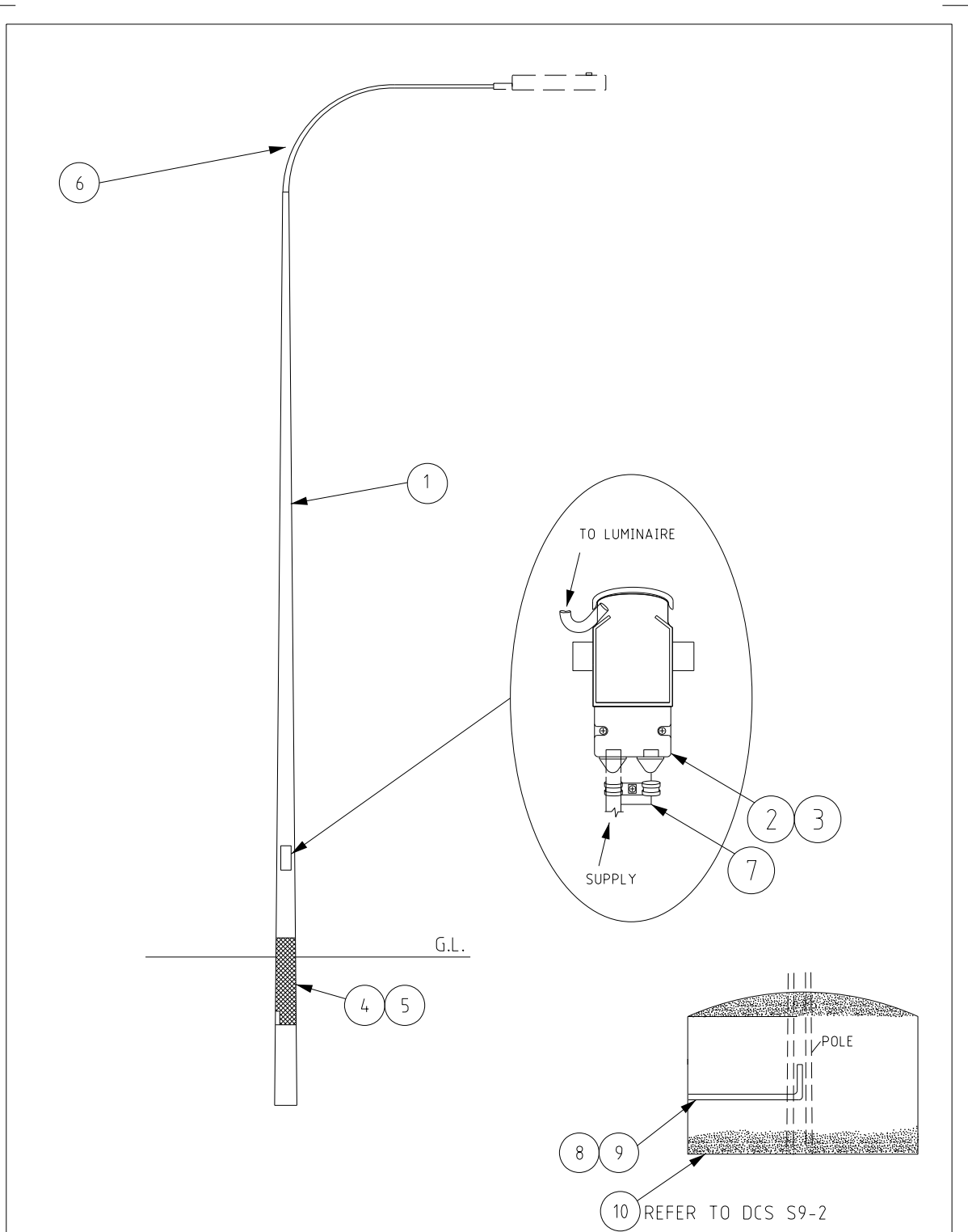
<p><b>HORIZON</b> <b>POWER</b></p> <p>DISTRIBUTION DESIGN CATALOGUE</p> <p>OPERATIONS DIVISION</p>	COMPATIBLE UNIT	REVISION 2	DATE 07/10/2020
	DOUBLE OUTREACH	DRAWING No.	
	STEEL STANDARD - 10.5m	SL10	

CU	CU DESCRIPTION
SL10	Double-outreach – steel standard 10.5m – Non Cyclonic

ITEM NUMBER	STOCK NUMBER	DESCRIPTION	QTY RQD	UNIT OF MEASURE	REMARKS
1	CWH1330	Streetlight pole 10.5m, Galvanized steel	1	ea	Note 5
2	GF1300	Fuse cartridge, 10 amp for streetlight cut-out	2	ea	
3	HZ0131	Streetlight cut-out, Bill type	1	ea	
4	HTH0001	Denso fabric tape with petrolatum, 100mm x 10m roll	2	ea	
5	HTH0003	Denso Aluminium Backed Self Adhesive Water and Weather Proof, 100mm x 10m roll	2	ea	
6	CWH0279	Double outreach arm for streetlight pole	1	ea	
7	HZ0135	Cable Clamp Bracket	1	ea	

CU	CU DESCRIPTION
SL10_C	Double-outreach – steel standard 10.5m – Cyclonic

ITEM NUMBER	STOCK NUMBER	DESCRIPTION	QTY RQD	UNIT OF MEASURE	REMARKS
1	CWH1330	Streetlight pole 10.5m, Galvanized steel	1	ea	Note 5
2	GF1300	Fuse cartridge, 10 amp for streetlight cut-out	2	ea	
3	HZ0131	Streetlight cut-out, Bill type	1	ea	
4	HTH0001	Denso fabric tape with petrolatum, 100mm x 10m roll	2	ea	
5	HTH0003	Denso Aluminium Backed Self Adhesive Water and Weather Proof, 100mm x 10m roll	2	ea	
6	CWH0279	Double outreach arm for streetlight pole	1	ea	
7	HZ0135	Cable Clamp Bracket	1	ea	
8	GC0022	Conduit heavy-duty PVC 25 mm, 4 m long, orange	1	lg	
9	GC0477	Orange PVC bend conduit (90 degree)	1	ea	
10	N/A	Concrete Base for Cyclonic Region	1	ea	Contractor Cost Only



<p><b>HORIZON</b> <b>POWER</b></p> <p>DISTRIBUTION DESIGN CATALOGUE</p> <p>OPERATIONS DIVISION</p>	COMPATIBLE UNIT	REVISION 2	DATE 07/10/2020
	SINGLE OUTREACH	DRAWING No. SL11	
	STEEL STANDARD - 12.5m		

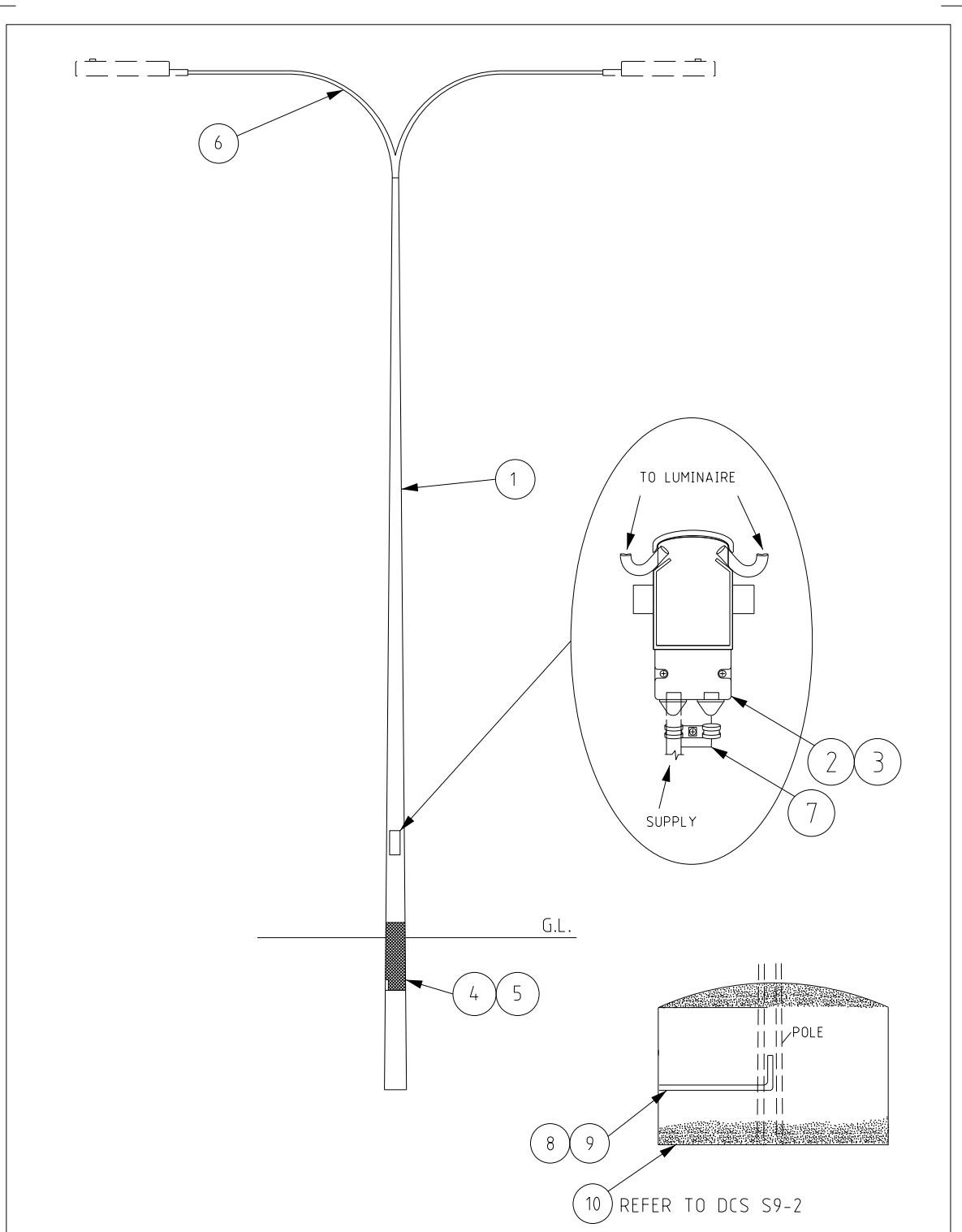
CU	CU DESCRIPTION
SL11	Single-outreach – steel standard 12.5m – Non Cyclonic

ITEM NUMBER	STOCK NUMBER	DESCRIPTION	QTY RQD	UNIT OF MEASURE	REMARKS
1	CWH1329	Streetlight pole 12.5m, Galvanized steel	1	ea	Note 5
2	GF1300	Fuse cartridge, 10 amp for streetlight cut-out	1	ea	
3	HZ0131	Streetlight cut-out, Bill type	1	ea	
4	HTH0001	Denso fabric tape with petrolatum, 100mm x 10m roll	2	ea	
5	HTH0003	Denso Aluminium Backed Self Adhesive Water and Weather Proof, 100mm x 10m roll	2	ea	
6	CWH0278	Single outreach arm for streetlight pole	1	ea	
7	HZ0135	Cable Clamp Bracket	1	ea	

CU	CU DESCRIPTION
SL11_C	Single-outreach – steel standard 12.5m – Cyclonic

ITEM NUMBER	STOCK NUMBER	DESCRIPTION	QTY RQD	UNIT OF MEASURE	REMARKS
1	CWH1329	Streetlight pole 12.5m, Galvanized steel	1	ea	Note 5
2	GF1300	Fuse cartridge, 10 amp for streetlight cut-out	1	ea	
3	HZ0131	Streetlight cut-out, Bill type	1	ea	
4	HTH0001	Denso fabric tape with petrolatum, 100mm x 10m roll	2	ea	
5	HTH0003	Denso Aluminium Backed Self Adhesive Water and Weather Proof, 100mm x 10m roll	2	ea	
6	CWH0278	Single outreach arm for streetlight pole	1	ea	
7	HZ0135	Cable Clamp Bracket	1	ea	
8	GC0022	Conduit heavy-duty PVC 25 mm, 4 m long, orange	1	lg	
9	GC0477	Orange PVC bend conduit (90 degree)	1	ea	
10	N/A	Concrete Base for Cyclonic Region	1	ea	Contractor Cost Only





<p><b>HORIZON</b> <b>POWER</b></p> <p>DISTRIBUTION DESIGN CATALOGUE</p> <p>OPERATIONS DIVISION</p>	COMPATIBLE UNIT	REVISION 2	DATE 07/10/2020
	DOUBLE OUTREACH STEEL STANDARD - 12.5m	DRAWING No. SL12	

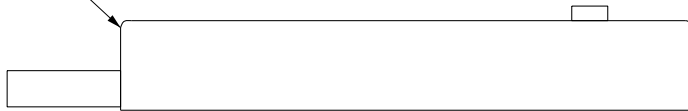
CU	CU DESCRIPTION
SL12	Double-outreach – steel standard 12.5m – Non Cyclonic

ITEM NUMBER	STOCK NUMBER	DESCRIPTION	QTY RQD	UNIT OF MEASURE	REMARKS
1	CWH1329	Streetlight pole 12.5m, Galvanized steel	1	ea	Note 5
2	GF1300	Fuse cartridge, 10 amp for streetlight cut-out	2	ea	
3	HZ0131	Streetlight cut-out, Bill type	2	ea	
4	HTH0001	Denso fabric tape with petrolatum, 100mm x 10m roll	2	ea	
5	HTH0003	Denso Aluminium Backed Self Adhesive Water and Weather Proof, 100mm x 10m roll	2	ea	
6	CWH0279	Double outreach arm for streetlight pole	1	ea	
7	HZ0135	Cable Clamp Bracket	1	ea	

CU	CU DESCRIPTION
SL12_C	Double-outreach – steel standard 12.5m – Cyclonic

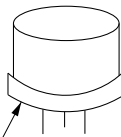
ITEM NUMBER	STOCK NUMBER	DESCRIPTION	QTY RQD	UNIT OF MEASURE	REMARKS
1	CWH1329	Streetlight pole 12.5m, Galvanized steel	1	ea	Note 5
2	GF1300	Fuse cartridge, 10 amp for streetlight cut-out	2	ea	
3	HZ0131	Streetlight cut-out, Bill type	2	ea	
4	HTH0001	Denso fabric tape with petrolatum, 100mm x 10m roll	2	ea	
5	HTH0003	Denso Aluminium Backed Self Adhesive Water and Weather Proof, 100mm x 10m roll	2	ea	
6	CWH0279	Double outreach arm for streetlight pole	1	ea	
7	HZ0135	Cable Clamp Bracket	1	ea	
8	GC0022	Conduit heavy-duty PVC 25 mm, 4 m long, orange	1	lg	
9	GC0477	Orange PVC bend conduit (90 degree)	1	ea	
10	N/A	Concrete Base for Cyclonic Region	1	ea	Contractor Cost Only

1



ROAD FLAIR

2



<b>HORIZON</b> <b>POWER</b> DISTRIBUTION DESIGN CATALOGUE OPERATIONS DIVISION	COMPATIBLE UNIT	REVISION 3	DATE 06/11/2020
	LED LUMINAIRE - L SERIES	DRAWING No. SL24	

CU	CU DESCRIPTION
SL24_L2	Luminaire L-Series 16W L2 LED & PE cell

ITEM NUMBER	STOCK NUMBER	DESCRIPTION	QTY RQD	UNIT OF MEASURE	REMARKS
1	HL6601	Luminaire L2 16W, Road Flair c/w 2C 1.5mm <sup>2</sup> x 8m cable	1	ea	Note 1, 3 & 4
2	HL5557	PE cell, Tyco	1	ea	

CU	CU DESCRIPTION
SL24_L3	Luminaire L-Series 43W L3 LED & PE cell

ITEM NUMBER	STOCK NUMBER	DESCRIPTION	QTY RQD	UNIT OF MEASURE	REMARKS
1	HL6605	Luminaire L3 43W, Road Flair c/w 2C 1.5mm <sup>2</sup> x 15m cable	1	ea	Note 1
2	HL5557	PE cell, Tyco	1	ea	

CU	CU DESCRIPTION
SL24_L4	Luminaire L-Series 70W L4 LED & PE cell

ITEM NUMBER	STOCK NUMBER	DESCRIPTION	QTY RQD	UNIT OF MEASURE	REMARKS
1	HL6610	Luminaire L4 70W, Road Flair c/w 2C 1.5mm <sup>2</sup> x 15m cable	1	ea	Note 1
2	HL5557	PE cell, Tyco	1	ea	

CU	CU DESCRIPTION
SL24_L6	Luminaire L-Series 140W L6 LED & PE cell

ITEM NUMBER	STOCK NUMBER	DESCRIPTION	QTY RQD	UNIT OF MEASURE	REMARKS
1	HL6613	Luminaire L6 140W, Road Flair c/w 2C 1.5mm <sup>2</sup> x15m cable	1	ea	Note 1
2	HL5557	PE cell, Tyco	1	ea	

## APPENDIX A – REVISION INFORMATION

(Informative) Horizon Power has endeavoured to provide standards of the highest quality and would appreciate notification if any errors are found or even queries raised.

Each Standard makes use of its own comment sheet which is maintained throughout the life of the standard, which lists all comments made by stakeholders regarding the standard.

The document **DM# 2304430** can be used to record any errors or queries found in or pertaining to this standard, which can then be addressed whenever the standard gets reviewed.

Date	Rev No.	Notes
	0	Western Power Supplied
01/07/2009	1	Original Horizon Power issue
31/01/2012	2	Original Horizon Power issue
21/01/2014	3	<p>SL Index Drawing</p> <ul style="list-style-type: none"> <li>SL16 and SL17 removed</li> <li>SL20 and SL21 added</li> </ul> <p>SL Index List</p> <ul style="list-style-type: none"> <li>SL21 A_60 W and SL 21 changed to SL2 with SL2_125 W removed</li> <li>SL3_150 W changed to SL3 with SL3_250 W removed</li> <li>SL4_150 W changed to SL4 with SL4_250 W removed</li> <li>SL6_150 W changed to SL6 with SL6_250 W removed</li> <li>SL7_80 W changed to SL7 with SL7_125 W removed</li> <li>SL8_80 W changed to SL8 with SL8_125 W removed</li> <li>SL9_150 W changed to SL9 with SL9_250 W removed</li> <li>SL10_150 W changed to SL10 with SL10_250 W removed</li> <li>SL11_150 W changed to SL11 with SL11_250 W removed</li> <li>SL12_150 W changed to SL12 with SL12_250 W removed</li> <li>SL20_A, SL20_B, SL20_C, SL21_A and SL21_B added</li> </ul> <p>SL2 Drawing</p> <ul style="list-style-type: none"> <li>Light fitting Item (2) replaced with LED</li> <li>Notes removed</li> </ul> <p>SL2 List</p> <ul style="list-style-type: none"> <li>SL2_80 W changed to SL2 with SL2_125 W removed</li> <li>Light fitting Item (2) removed</li> </ul> <p>SL3 Drawing</p> <ul style="list-style-type: none"> <li>Light fitting Item (2) replaced with LED</li> <li>Notes removed</li> </ul> <p>SL3 List</p> <ul style="list-style-type: none"> <li>SL3_150 W changed to SL3 with SL3_250 W removed</li> <li>Light fitting Item (2) &amp; (4) removed</li> </ul> <p>SL4 Drawing</p> <ul style="list-style-type: none"> <li>Light fitting Item (2) replaced with LED</li> <li>Notes removed</li> </ul> <p>SL4 List</p>

Date	Rev No.	Notes
		<ul style="list-style-type: none"> <li>• SL4_150 W changed to SL4 with SL4_250 W removed</li> <li>• Light fitting Item (2) &amp; (5) removed</li> </ul> <p>SL6 Drawing</p> <ul style="list-style-type: none"> <li>• Light fitting Item (2) replaced with LED</li> <li>• Notes removed</li> </ul> <p>SL6 List</p> <ul style="list-style-type: none"> <li>• SL6_150 W changed to SL6 with SL6_250 W removed</li> <li>• Light fitting Item (2) &amp; (3) removed</li> </ul> <p>SL7 Drawing</p> <ul style="list-style-type: none"> <li>• Light fitting Item (2) replaced with LED</li> <li>• Notes removed</li> </ul> <p>SL7 List</p> <ul style="list-style-type: none"> <li>• SL7_80 W changed to SL7 with SL7_125 W removed</li> <li>• Light fitting Item (2) removed</li> </ul> <p>SL8 Drawing</p> <ul style="list-style-type: none"> <li>• Light fitting Items (2) &amp; (3) replaced with LED</li> </ul> <p>SL8 List</p> <ul style="list-style-type: none"> <li>• SL8_80 W changed to SL8 with SL8_125 W removed</li> <li>• Light fitting Items (2) &amp; (3) removed</li> </ul> <p>SL9 Drawing</p> <ul style="list-style-type: none"> <li>• Light fitting Items (3) &amp; (4) replaced with LED</li> </ul> <p>SL9 List</p> <ul style="list-style-type: none"> <li>• SL9_150 W changed to SL9 with SL9_250 W removed</li> <li>• Light fitting Items (3) &amp; (4) removed</li> </ul> <p>SL10 Drawing</p> <ul style="list-style-type: none"> <li>• Light fitting Items (3) &amp; (4) replaced with LED</li> </ul> <p>SL10 List</p> <ul style="list-style-type: none"> <li>• SL10_150 W changed to SL10 with SL10_250 W removed</li> <li>• Light fitting Items (3) &amp; (4) removed</li> </ul> <p>SL11 Drawing</p> <ul style="list-style-type: none"> <li>• Light fitting Items (3) &amp; (4) replaced with LED</li> </ul> <p>SL11 List</p> <ul style="list-style-type: none"> <li>• SL11_150 W changed to SL11 with SL11_250 W removed</li> <li>• Light fitting Items (3) &amp; (4) removed</li> </ul> <p>SL12 Drawing</p> <ul style="list-style-type: none"> <li>• Light fitting Items (3) &amp; (4) replaced with LED</li> </ul> <p>SL12 List</p> <ul style="list-style-type: none"> <li>• SL12_150 W changed to SL12 with SL12_250 W removed</li> <li>• Light fitting Items (3) &amp; (4) removed</li> </ul> <p>SL18 Drawing</p> <ul style="list-style-type: none"> <li>• Dimensions removed</li> <li>• Item (2) added</li> </ul>

Date	Rev No.	Notes
		<ul style="list-style-type: none"> <li>• Notes amended</li> </ul> SL18 List <ul style="list-style-type: none"> <li>• Item (2) added</li> </ul> SL19 Drawing <ul style="list-style-type: none"> <li>• Dimensions removed</li> <li>• Notes amended</li> </ul> SL20 Drawing added SL20_A, SL20_B & SL20_C Lists added SL21 Drawing added SL21_A & SL21_B Lists added
27/03/2018	4	SL Index Drawing <ul style="list-style-type: none"> <li>• SL21 removed</li> <li>• SL22 and SL23 added</li> </ul> SL Index List <ul style="list-style-type: none"> <li>• SL21A_and SL 21B removed</li> <li>• SL22_A, SL22_B, SL22_C and SL23 added</li> </ul> SL22 Drawing added SL22_A, SL22_B & SL22_C Lists added SL23 Drawing added SL23 List added
18/12/2018	5	Fuse holder GF1801 replaced with the GF1804 for: <ul style="list-style-type: none"> <li>• SL2</li> <li>• SL3</li> <li>• SL4</li> <li>• SL6</li> <li>• SL7</li> </ul> Fuse cartridge GF0550 replaced with the GF0925 for: <ul style="list-style-type: none"> <li>• SL2</li> <li>• SL3</li> <li>• SL4</li> <li>• SL6</li> <li>• SL7</li> </ul> Fuse cut-out HZ0128 replaced with HZ0131 for: <ul style="list-style-type: none"> <li>• SL8</li> <li>• SL9</li> <li>• SL10</li> <li>• SL11</li> <li>• SL12</li> </ul> SL Index Drawing edited: <ul style="list-style-type: none"> <li>• SL24 added</li> </ul> SL24 drawing added. Lists added for: <ul style="list-style-type: none"> <li>• SL24_20W</li> </ul>

Date	Rev No.	Notes
		<ul style="list-style-type: none"> <li>• SL24_53W</li> <li>• SL24_80W</li> <li>• SL24_160W</li> </ul> <p>Stock Item descriptions updated.</p> <p>CU Descriptions updated for:</p> <ul style="list-style-type: none"> <li>• SL20_A</li> <li>• SL20_B</li> <li>• SL20_C</li> <li>• SL22_A</li> <li>• SL22_B</li> <li>• SL22_C</li> <li>• SL23</li> </ul> <p>Table 1 added.</p> <p>General notes 1-6 added.</p>
09/11/2020	6	<p>General notes amended:</p> <ul style="list-style-type: none"> <li>• Note 2 is replaced with Note 6.</li> <li>• Note 3 is replaced with Note 7.</li> <li>• Note 4 is updated with new information.</li> <li>• Note 5 is updated with new information.</li> <li>• Note 6 becomes Note 2.</li> <li>• Note 7 becomes Note 3.</li> </ul> <p>SL Index Drawing</p> <ul style="list-style-type: none"> <li>• SL2, SL3, SL4, SL6, SL7, SL8, SL9, SL10, SL11, SL12, SL24 drawing updated.</li> <li>• SL18, SL19, SL22, SL23 drawing removed.</li> </ul> <p>SL Index List:</p> <ul style="list-style-type: none"> <li>• SL8_C, SL9_C, SL10_C, SL11_C, SL12_C added.</li> <li>• SL18, SL19 removed.</li> <li>• SL20_A and SL20_B becomes Lamp Guard.</li> <li>• SL20_C, SL22_A, SL22_B, SL22_C, SL23 removed.</li> </ul> <p>SL2 Drawing</p> <ul style="list-style-type: none"> <li>• Updated to reflect new Phillips LED Luminaire.</li> </ul> <p>SL3 Drawing</p> <ul style="list-style-type: none"> <li>• Updated to reflect new Phillips LED Luminaire.</li> </ul> <p>SL4 Drawing</p> <ul style="list-style-type: none"> <li>• Updated to reflect new Phillips LED Luminaire.</li> </ul> <p>SL6 Drawing</p> <ul style="list-style-type: none"> <li>• Updated to reflect new Phillips LED Luminaire.</li> <li>• New detail for IPC Clamps.</li> </ul> <p>SL7 Drawing</p> <ul style="list-style-type: none"> <li>• Updated to reflect new Phillips LED Luminaire.</li> <li>• New detail for IPC Clamps.</li> </ul> <p>SL8 Drawing</p> <ul style="list-style-type: none"> <li>• Updated to include Class 2 cut-out.</li> <li>• Updated to include cyclonic concrete foundation for SL8_C</li> <li>• Removed DCS pillar information.</li> </ul>



Date	Rev No.	Notes
		<p>SL8 List</p> <ul style="list-style-type: none"> <li>• HTH0002 replaced with HTH0003.</li> <li>• New Stock Code HZ0135 added.</li> <li>• GC0025 and GF0121 removed.</li> </ul> <p>SL8_C List</p> <ul style="list-style-type: none"> <li>• New CU added for Cyclonic region.</li> </ul> <p>SL9 Drawing</p> <ul style="list-style-type: none"> <li>• Updated to include Class 2 cut-out.</li> <li>• Updated to include cyclonic concrete foundation for SL9_C</li> </ul> <p>SL9 List</p> <ul style="list-style-type: none"> <li>• HTH0002 replaced with HTH0003.</li> <li>• New Stock Code HZ0135 added.</li> </ul> <p>SL9_C List</p> <ul style="list-style-type: none"> <li>• New CU added for Cyclonic region.</li> <li>• Denso aluminium tape HTH0001 upgrade in quantity in lists:</li> <li>• SL11</li> <li>• SL12</li> </ul> <p>SL10 Drawing</p> <ul style="list-style-type: none"> <li>• Updated to include Class 2 cut-out.</li> <li>• Updated to include cyclonic concrete foundation for SL10_C</li> </ul> <p>SL10 List</p> <ul style="list-style-type: none"> <li>• HTH0002 replaced with HTH0003.</li> <li>• Change in quantity for HTH0001.</li> <li>• New Stock Code HZ0135 added.</li> </ul> <p>SL10_C List</p> <ul style="list-style-type: none"> <li>• New CU added for Cyclonic region.</li> </ul> <p>SL11 Drawing</p> <ul style="list-style-type: none"> <li>• Updated to include Class 2 cut-out.</li> <li>• Updated to include cyclonic concrete foundation for SL11_C</li> </ul> <p>SL11 List</p> <ul style="list-style-type: none"> <li>• HTH0002 replaced with HTH0003.</li> <li>• Change in quantity for HTH0001.</li> <li>• New Stock Code HZ0135 added.</li> </ul> <p>SL11_C List</p> <ul style="list-style-type: none"> <li>• New CU added for Cyclonic region.</li> </ul> <p>SL12 Drawing</p> <ul style="list-style-type: none"> <li>• Updated to include Class 2 cut-out.</li> <li>• Updated to include cyclonic concrete foundation for SL12_C</li> </ul> <p>SL12 List</p> <ul style="list-style-type: none"> <li>• HTH0002 replaced with HTH0003.</li> <li>• Change in quantity for HTH0001.</li> <li>• New Stock Code HZ0135 added.</li> </ul>

Date	Rev No.	Notes
		<p>SL12_C List</p> <ul style="list-style-type: none"> <li>New CU added for Cyclonic region.</li> </ul> <p>SL18 Drawing removed.</p> <p>SL18 List removed.</p> <p>SL19 Drawing removed.</p> <p>SL19 List removed.</p> <p>SL20 Drawing:</p> <ul style="list-style-type: none"> <li>Updated Drawing – For Lamp Guard only.</li> </ul> <p>SL20_A List:</p> <ul style="list-style-type: none"> <li>Superseded with Lamp Guard for CFL Luminaire CU.</li> </ul> <p>SL20_B List:</p> <ul style="list-style-type: none"> <li>Superseded with Lamp Guard for HPS Luminaire CU.</li> </ul> <p>SL20_C List removed.</p> <p>SL22 Drawing removed.</p> <p>SL22_A, SL22_B, SL22_C List removed.</p> <p>SL23 Drawing removed.</p> <p>SL23 List removed.</p> <p>SL24 Drawing:</p> <ul style="list-style-type: none"> <li>Redraw PE Cell.</li> </ul> <p>SL24_L2 List:</p> <ul style="list-style-type: none"> <li>Update description for 4mm<sup>2</sup> cable to 1.5mm<sup>2</sup>.</li> </ul> <p>SL24_L3 List:</p> <ul style="list-style-type: none"> <li>Update description for 4mm<sup>2</sup> cable to 1.5mm<sup>2</sup>.</li> </ul> <p>SL24_L4 List:</p> <ul style="list-style-type: none"> <li>Update description for 4mm<sup>2</sup> cable to 1.5mm<sup>2</sup>.</li> </ul> <p>SL24_L6 List:</p> <ul style="list-style-type: none"> <li>Update description for 4mm<sup>2</sup> cable to 1.5mm<sup>2</sup>.</li> </ul>
7		<p>SL8 list</p> <ul style="list-style-type: none"> <li>CW0255 -&gt; CWH0255 6.5m galvanised standard streetlight column</li> </ul> <p>SL8_C list</p> <ul style="list-style-type: none"> <li>CW0255 -&gt; CWH0255 6.5m galvanised standard streetlight column</li> </ul> <p>SL9 list</p> <ul style="list-style-type: none"> <li>CW1330 -&gt; CWH1330 10.5m galvanised standard streetlight column</li> <li>CW0278 -&gt; CWH0278 3m galvanised single outreach</li> </ul> <p>SL9_C list</p> <ul style="list-style-type: none"> <li>CW1330 -&gt; CWH1330 10.5m galvanised standard streetlight column</li> <li>CW0278 -&gt; CWH0278 3m galvanised single outreach</li> </ul>

Date	Rev No.	Notes
		<p>SL10 list</p> <ul style="list-style-type: none"> <li>• CW1330 -&gt; CWH1330 10.5m galvanised standard streetlight column</li> <li>• CW0279 -&gt; CWH0279 3m galvanised double outreach</li> </ul> <p>SL10_C list</p> <ul style="list-style-type: none"> <li>• CW1330 -&gt; CWH1330 10.5m galvanised standard streetlight column</li> <li>• CW0279 -&gt; CWH0279 3m galvanised double outreach</li> </ul> <p>SL11 list</p> <ul style="list-style-type: none"> <li>• CW1329 -&gt; CWH1329 12.5m galvanised standard streetlight column</li> <li>• CW0278 -&gt; CWH0278 3m galvanised single outreach</li> </ul> <p>SL11_C list</p> <ul style="list-style-type: none"> <li>• CW1329 -&gt; CWH1329 12.5m galvanised standard streetlight column</li> <li>• CW0278 -&gt; CWH0278 3m galvanised single outreach</li> </ul> <p>SL12 list</p> <ul style="list-style-type: none"> <li>• CW1329 -&gt; CWH1329 12.5m galvanised standard streetlight column</li> <li>• CW0279 -&gt; CWH0279 3m galvanised double outreach</li> </ul> <p>SL12_C list</p> <ul style="list-style-type: none"> <li>• CW1329 -&gt; CWH1329 12.5m galvanised standard streetlight column</li> <li>• CW0279 -&gt; CWH0279 3m galvanised double outreach</li> </ul>
05/08/2022	8	<p>General Notes:</p> <ul style="list-style-type: none"> <li>• Note 8: added</li> </ul> <p>SL Index Drawing:</p> <ul style="list-style-type: none"> <li>• SL20 drawing removed</li> <li>• SL24 Drawing updated</li> </ul> <p>SL Index List:</p> <ul style="list-style-type: none"> <li>• SL20_A, SL20_B drawings removed</li> </ul> <p>SL20 Drawing removed</p> <p>SL24 Drawing</p> <ul style="list-style-type: none"> <li>• Updated to remove Road Grace luminaire type.</li> </ul> <p>SL24_L2 List</p> <ul style="list-style-type: none"> <li>• Removed: HL6300 – 4000K 20W Road Grace.</li> <li>• Added: HL6601 – 3000K 16W Road Flair.</li> </ul> <p>SL24_L3 List</p> <ul style="list-style-type: none"> <li>• Removed: HL6303 – 4000K 53W Road Grace.</li> <li>• Added: HL6605 – 3000K 43W Road Flair.</li> </ul> <p>SL24_L4 List</p> <ul style="list-style-type: none"> <li>• Removed: HL6309 – 4000K 80W Road Flair.</li> <li>• Added: HL6610 – 3000K 70W Road Flair.</li> </ul> <p>SL24_L6 List</p> <ul style="list-style-type: none"> <li>• Removed: HL6312 – 4000K 160W Road Flair.</li> <li>• Added: HL6613 – 3000K 140W Road Flair.</li> </ul>

Date	Rev No.	Notes