



Distribution Design Catalogue –
Section 13:
DM - Decorative Materials (Streetlights)

Standard Number: HPC-1DC-07-0013-2014

Document Control		
Revision 4 Author	Name: Johnathan Choi Position: Standards & Plants Manager	
Reviewed By	Name: Paul Savig Position: Senior Standards Engineer	
Endorsed By	Name: Mark Montemayor Position: Engineering Services Manager	
Approved By *	Name: Victor Cheng Position: Manager Engineering Projects & Services	
Date Created/Last Updated	11 July 2022	
Review Frequency **	Annually	
Next Review Date **	11 July 2023	

* Shall be the Process Owner and is the person assigned authority and responsibility for managing the whole process, end-to-end, which may extend across more than one division and/or functions, in order to deliver agreed business results.

** Frequency period is dependent upon circumstances– maximum is 5 years from last issue, review, or revision whichever is the latest. If left blank, the default shall be 1 year unless otherwise specified.

Revision Control		
Revision	Date	Description
4	11/07/2022	CU updates due to changes in Stock Items

STAKEHOLDERS	
<i>The following positions shall be consulted if an update or review is required:</i>	
Asset Managers	
Works Delivery Managers	
Asset Service Delivery Managers	

DECORATIVE MATERIALS LIST

CU	CU DESCRIPTION
DM1	12.5 m Standard Pole, Powder Coated Dulux Colour – Non Cyclonic
DM1_C	12.5 m Standard Pole, Powder Coated Dulux Colour - Cyclonic
DM2	10.5 m Standard Pole, Powder Coated Dulux Colour – Non Cyclonic
DM2_C	10.5 m Standard Pole, Powder Coated Dulux Colour - Cyclonic
DM3	6.5 m Standard Pole, Powder Coated Dulux Colour – Non Cyclonic
DM3_C	6.5 m Standard Pole, Powder Coated Dulux Colour - Cyclonic
DM20	Standard Single Outreach, Powder Coated Dulux Colour
DM21	Standard Double Outreach, Powder Coated Dulux Colour

Excerpt from Horizon Power UDS (DM# 1586848):

8.14.4 Approval of Decorative Street Lights in Subdivision

If decorative poles and luminaries are required by the developer, it will be the responsibility of the developer to liaise with the LGA to have the lights installed. These lights will be installed as unmetered or metered supplies.

Horizon Power will only operate Horizon Power approved decorative street lights. Installation of non-approved decorative street lights will require agreement from the LGA to undertake maintenance or operation.

Powder coated street light poles may be installed within the new subdivision with standard luminaries, however Horizon Power will replace them with standard poles when they fail or reach end-of-life. The additional cost for like-for-like replacement shall be the responsibility of the LGA.

Energy consumption on Horizon Power's standard street lights will be charged to LGAs as per gazetted street lighting tariffs.

LGA – Local Government Authority

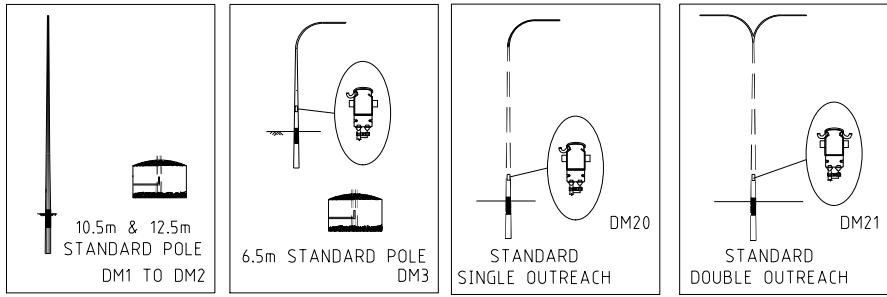
Note No.	Description
1	This Catalogue is to be read in conjunction with Streetlight (SL) Distribution Design Catalogue.
2	Designer to allow for conduit installation (GC0025) depending on design requirement. Book out LU10_SLTERM for redspot fuse and 16SL cable termination kit.
3	Wind loading limitations prevent use of all decorative luminaires on a four-way outreach.
4	1. The specified Colorbond colours utilise a satin finish. 2. Hawthorn Green has a gloss finish. 3. Standard Luminaires are not available in decorative colours. 4. Colorbond names are trademarks of BlueScope Steel Limited and no rights are claimed by Horizon Power or its representative. 5. Teal, Headland and Torres Blue paint powder is made to order only by Dulux and available in minimum order quantity of 80kg pack.
5	Luminaires not included. Refer to DDC SL for Streetlight Luminaires.
6	Refer to DM Colour Index for Available Colour Range.
7	Pole not included. Order DM1 or DM2 as required.
8	Source pole and outreach directly from A.D. Coote with powder coated DULUX colour code.

DECORATIVE MATERIALS COMBINATIONS

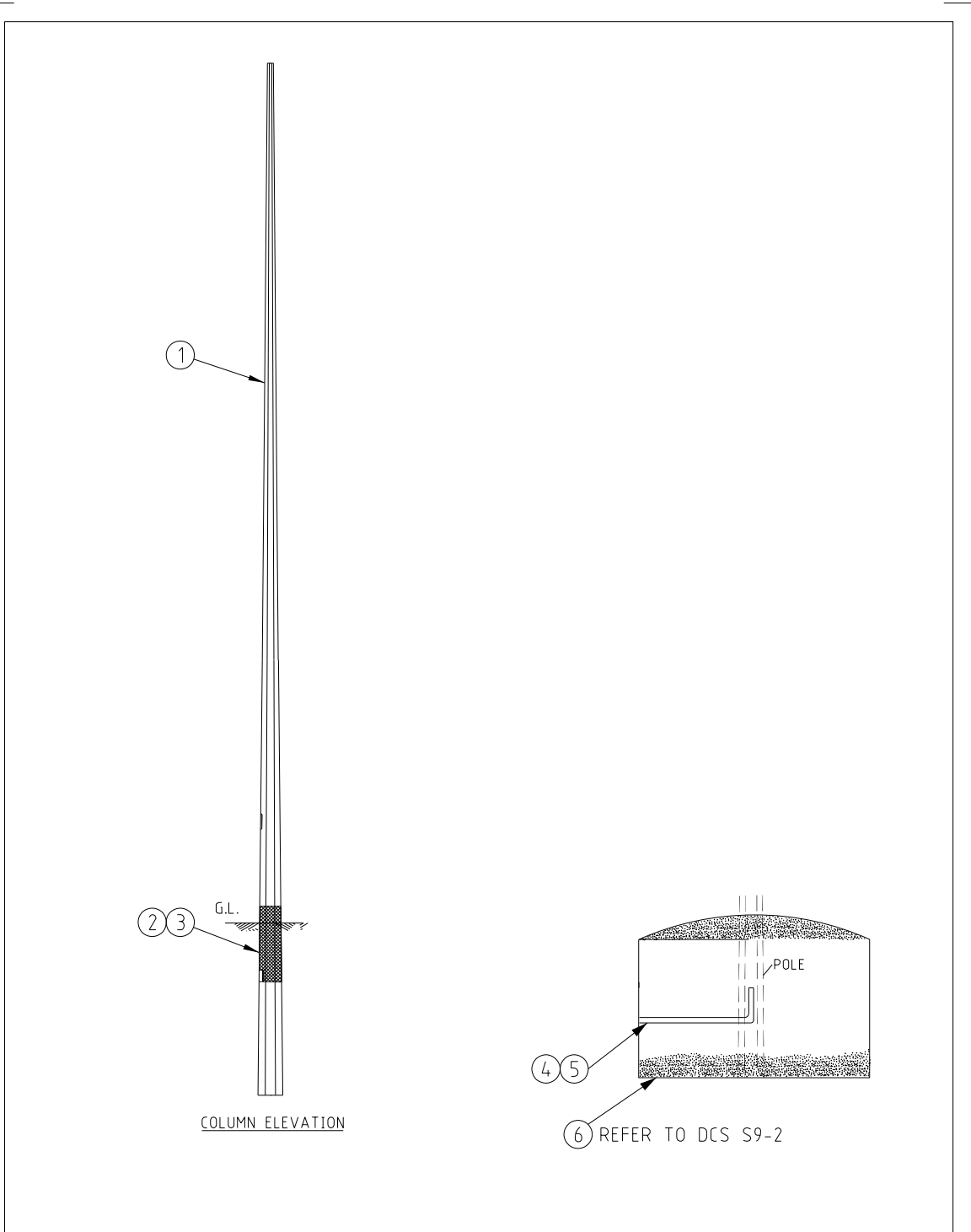
COLUMNS	OUTREACHES	LUMINAIRES ¹
DM1 12.5 m Standard DM2 10.5 m Standard	DM20 Standard Single Outreach Refer to Note 3	SL24_L3 SL24_L4 SL24_L6
DM3 6.5 m Standard	No outreach required	SL24_L2 SL24_L3

DECORATIVE MATERIALS COLOUR RANGE

HORIZON POWER DESCRIPTION	CAD NUMBER	Current Colorbond Name (as at time of Publication)	CURRENT DULUX COLOUR CODE (AS AT TIME OF PUBLICATION)
Armour Grey	1	Colorbond Windspray™	272-7256S
Caulfield Green	3	Colorbond Cottage Green™	272-84219
Ebony	4	Colorbond Satin Black™	272-19268
Gull Grey	5	Colorbond Shale Grey™	272-83246
Heritage Red	6	Colorbond Manor Red™	272-4134S
Merino	7	Colorbond Paperbark®	272-3088S
Mist Green	8	Colorbond Pale Eucaplypt®	260-6127S
Mountain Blue	9	Colorbond Deep Ocean®	272-5152S
Off White	10	Colorbond Surfmist™	272-1137S
Slate Grey	13	Colorbond Woodland Grey®	272-7255S
Tuscan Red	17	Colorbond Headland®	272-84761
Hawthorn Green	19	Classic Hawthorn Green	272-33709
Teal	20	Teal	272-6133G
Space Blue	21	Space Blue	984-19990
		Refer to Note 4	



 DISTRIBUTION DESIGN CATALOGUE OPERATIONS DIVISION	COMPATIBLE UNIT	REVISION 3	DATE 07/10/2020
	DM COMPATIBLE UNITS	DRAWING No. DM INDEX	



 DISTRIBUTION DESIGN CATALOGUE OPERATIONS DIVISION	COMPATIBLE UNIT	REVISION 3	DATE 11/11/2020
	10.5m & 12.5m STANDARD STREETLIGHT POLE	DRAWING No. DM1 TO DM2	

CU	CU DESCRIPTION
DM1	12.5 m Standard Pole, Powder Coated Dulux Colour – Non Cyclonic

ITEM NUMBER	STOCK NUMBER	DESCRIPTION	QTY RQD	UNIT OF MEASURE	REMARKS
1	CWH1329	12.5 m standard pole powder coated dulux colour	1	ea	Note 2, 6 & 8
2	HTH0001	Denso fabric tape with petrolatum, 100mm x 10m roll	2	ea	
3	HTH0003	Denso Aluminium Backed Self Adhesive Water and Weather Proof, 100mm x 10m roll	2	ea	

CU	CU DESCRIPTION
DM1_C	12.5 m Standard Pole, Powder Coated Dulux Colour - Cyclonic

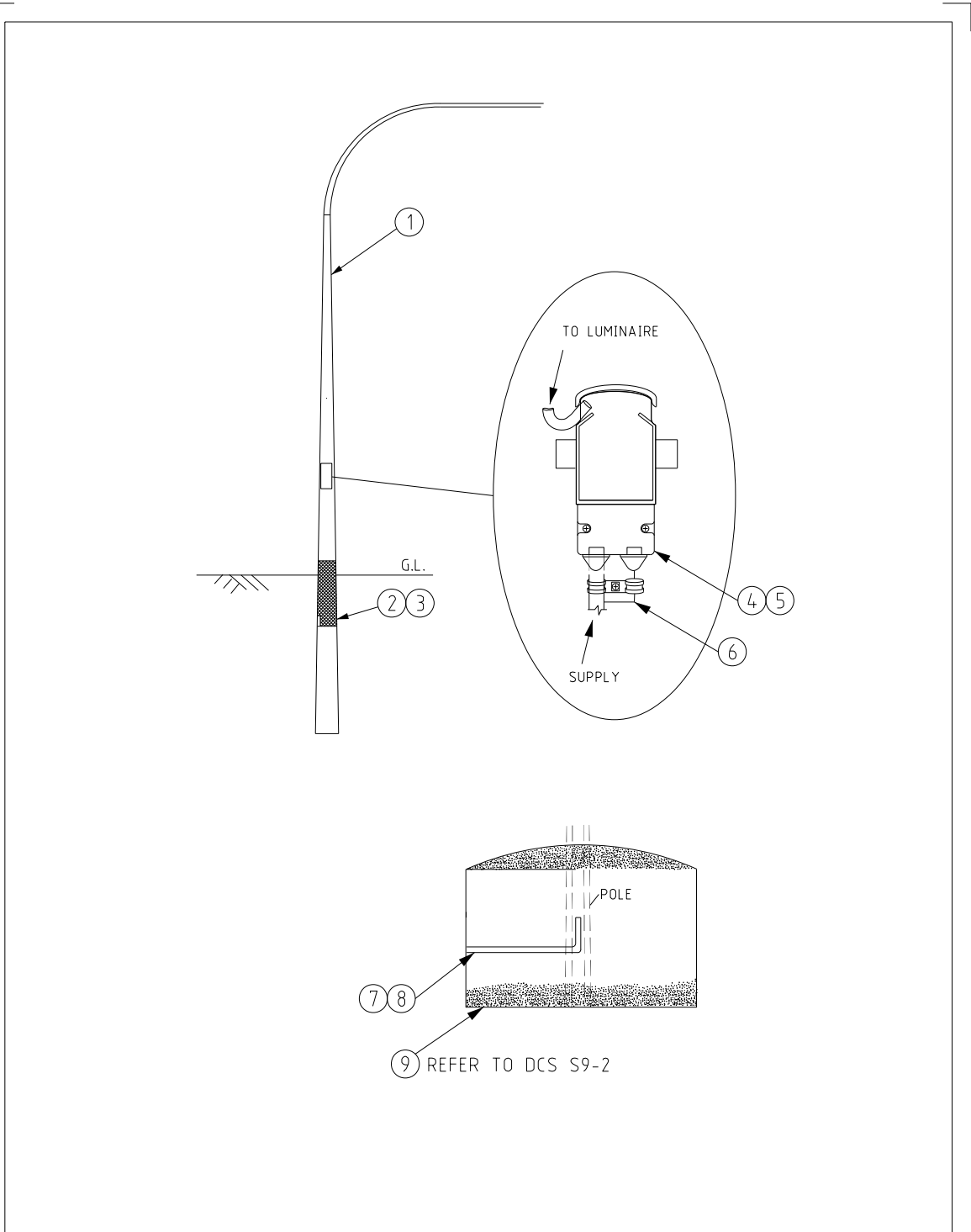
ITEM NUMBER	STOCK NUMBER	DESCRIPTION	QTY RQD	UNIT OF MEASURE	REMARKS
1	CWH1329	12.5 m standard pole powder coated dulux colour	1	ea	Note 2, 6 & 8
2	HTH0001	Denso fabric tape with petrolatum, 100mm x 10m roll	2	ea	
3	HTH0003	Denso Aluminium Backed Self Adhesive Water and Weather Proof, 100mm x 10m roll	2	ea	
4	GC0022	Conduit heavy-duty PVC 25 mm, 4 m long, orange	1	lg	
5	GC0477	Orange PVC bend conduit (90 degree)	1	ea	
6	N/A	Concrete Base for Cyclonic Region	1	ea	Contractor Cost Only

CU	CU DESCRIPTION
DM2	10.5 m Standard Pole, Powder Coated Dulux Colour – Non Cyclonic

ITEM NUMBER	STOCK NUMBER	DESCRIPTION	QTY RQD	UNIT OF MEASURE	REMARKS
1	CWH1330	10.5 m standard pole powder coated dulux colour	1	ea	Note 2, 6 & 8
2	HTH0001	Denso fabric tape with petrolatum, 100mm x 10m roll	2	ea	
3	HTH0003	Denso Aluminium Backed Self Adhesive Water and Weather Proof, 100mm x 10m roll	2	ea	

CU	CU DESCRIPTION
DM2_C	10.5 m Standard Pole, Powder Coated Dulux Colour - Cyclonic

ITEM NUMBER	STOCK NUMBER	DESCRIPTION	QTY RQD	UNIT OF MEASURE	REMARKS
1	CWH1330	10.5 m standard pole powder coated dulux colour	1	ea	Note 2, 6 & 8
2	HTH0001	Denso fabric tape with petrolatum, 100mm x 10m roll	2	ea	
3	HTH0003	Denso Aluminium Backed Self Adhesive Water and Weather Proof, 100mm x 10m roll	2	ea	
4	GC0022	Conduit heavy-duty PVC 25 mm, 4 m long, orange	1	lg	
5	GC0477	Orange PVC bend conduit (90 degree)	1	ea	
6	N/A	Concrete Base for Cyclonic Region	1	ea	Contractor Cost Only



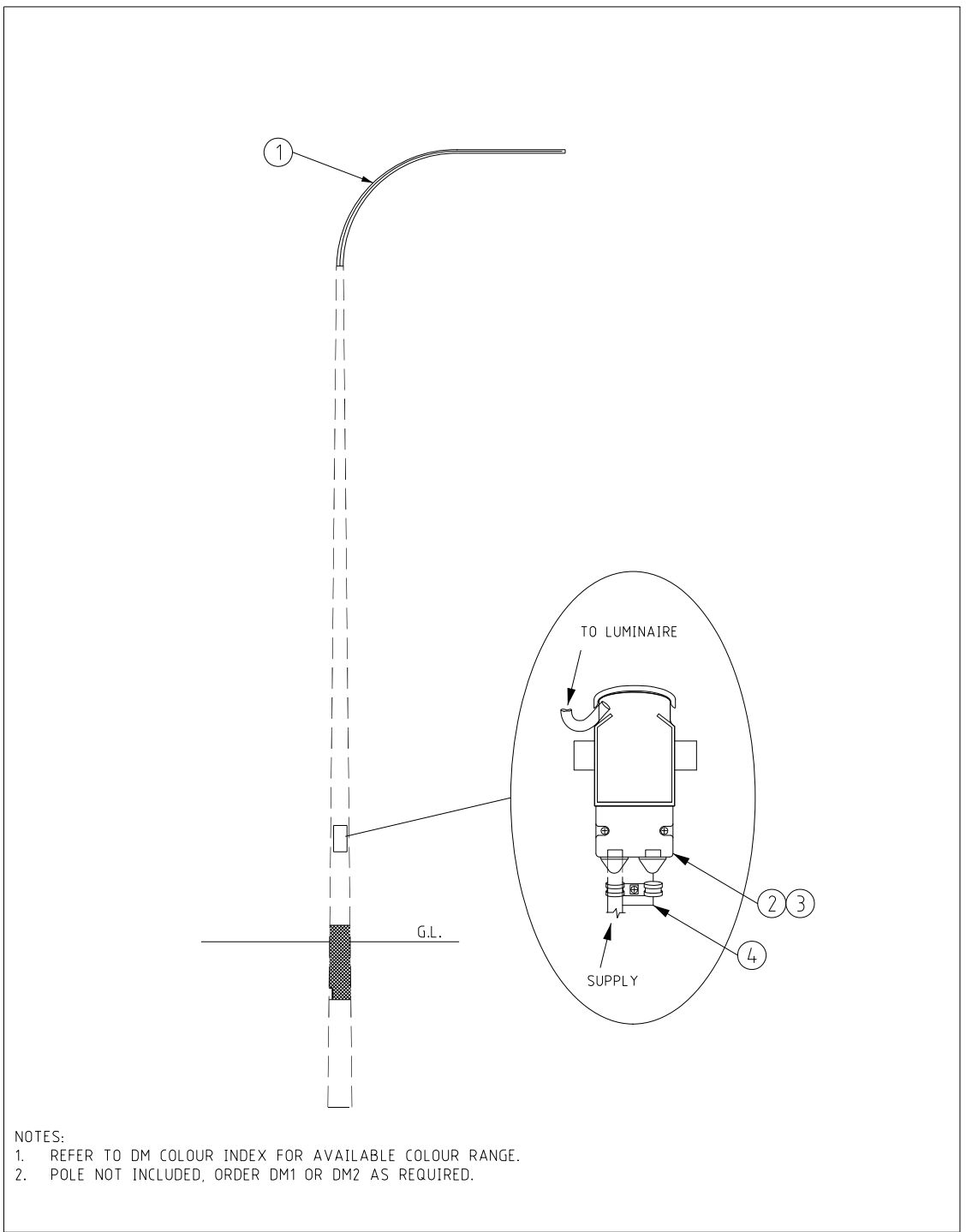
 DISTRIBUTION DESIGN CATALOGUE OPERATIONS DIVISION	COMPATIBLE UNIT	REVISION 3	DATE 06/11/2020
	6.5m STANDARD POLE	DRAWING No. DM3	

CU	CU DESCRIPTION
DM3	6.5 m Standard Pole, Powder Coated Dulux Colour – Non Cyclonic

ITEM NUMBER	STOCK NUMBER	DESCRIPTION	QTY RQD	UNIT OF MEASURE	REMARKS
1	CWH0255	6.5 m standard pole powder coated dulux colour	1	ea	Note 2, 5, 6 & 8
2	HTH0001	Denso fabric tape with petrolatum, 100mm x 10m roll	1	ea	
3	HTH0003	Denso Aluminium Backed Self Adhesive Water and Weather Proof, 100mm x 10m roll	1	ea	
4	GF1300	fuse cartridge 10 amp	1	ea	
5	HZ0131	Streetlight cut-out, Bill type	1	ea	
6	HZ0135	Cable Clamp Bracket	1	ea	

CU	CU DESCRIPTION
DM3_C	6.5 m Standard Pole, Powder Coated Dulux Colour - Cyclonic

ITEM NUMBER	STOCK NUMBER	DESCRIPTION	QTY RQD	UNIT OF MEASURE	REMARKS
1	CWH0255	6.5 m standard pole powder coated dulux colour	1	ea	Note 2, 5, 6 & 8
2	HTH0001	Denso fabric tape with petrolatum, 100mm x 10m roll	1	ea	
3	HTH0003	Denso Aluminium Backed Self Adhesive Water and Weather Proof, 100mm x 10m roll	1	ea	
4	GF1300	fuse cartridge 10 amp	1	ea	
5	HZ0131	Streetlight cut-out, Bill type	1	ea	
6	HZ0135	Cable Clamp Bracket	1	ea	
7	GC0022	Conduit heavy-duty PVC 25 mm, 4 m long, orange	1	lg	
8	GC0477	Orange PVC bend conduit (90 degree)	1	ea	
9	N/A	Concrete Base for Cyclonic Region	1	ea	Contractor Cost Only

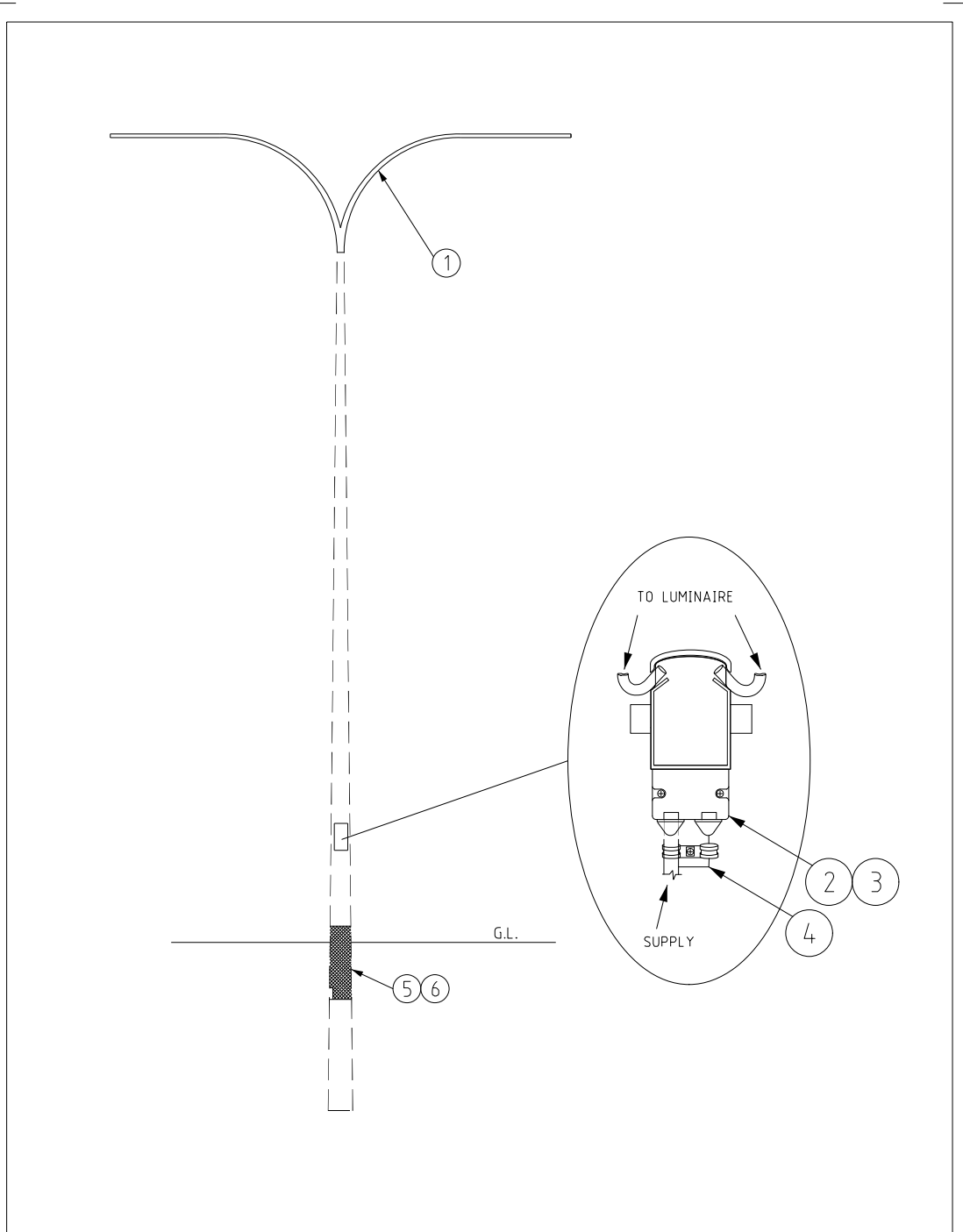



- NOTES:
 1. REFER TO DM COLOUR INDEX FOR AVAILABLE COLOUR RANGE.
 2. POLE NOT INCLUDED, ORDER DM1 OR DM2 AS REQUIRED.

HORIZON POWER DISTRIBUTION DESIGN CATALOGUE OPERATIONS DIVISION	COMPATIBLE UNIT	REVISION 3	DATE 07/10/2020
	STANDARD SINGLE OUTREACH	DRAWING No. DM20	

CU	CU DESCRIPTION
DM20	Standard Single Outreach, Powder Coated Dulux Colour

ITEM NUMBER	STOCK NUMBER	DESCRIPTION	QTY RQD	UNIT OF MEASURE	REMARKS
1	CWH0278	Standard single outreach, powder coated dulux colour	1	ea	Note 5, 6, 7 & 8
2	GF1300	fuse cartridge 10 amp	1	ea	
3	HZ0131	Streetlight cut-out, Bill type	1	ea	
4	HZ0135	Cable Clamp Bracket	1	ea	



 DISTRIBUTION DESIGN CATALOGUE OPERATIONS DIVISION	COMPATIBLE UNIT	REVISION 3	DATE 06/11/2020
	STANDARD DOUBLE OUTREACH	DRAWING No. DM21	

CU	CU DESCRIPTION
DM21	Standard Double Outreach, Powder Coated Dulux Colour

ITEM NUMBER	STOCK NUMBER	DESCRIPTION	QTY RQD	UNIT OF MEASURE	REMARKS
1	CWH0279	Standard double outreach, powder coated dulux colour	1	ea	Note 5, 6, 7 & 8
2	GF1300	fuse cartridge 10 amp	2	ea	
3	HZ0131	Streetlight cut-out, Bill type	1	ea	
4	HZ0135	Cable Clamp Bracket	1	ea	

APPENDIX A - REVISION INFORMATION

(Informative) Horizon Power has endeavoured to provide standards of the highest quality and would appreciate notification if any errors are found or even queries raised.

Each Standard makes use of its own comment sheet which is maintained throughout the life of the standard, which lists all comments made by stakeholders regarding the standard.

The document **DM# 2304651** can be used to record any errors or queries found in or pertaining to this standard, which can then be addressed whenever the standard gets reviewed.

Date	Rev No.	Notes
	0	Western Power Supplied
01/07/2009	1	Original Horizon Power issue
21/01/2014	2	<p>DM Index Drawing</p> <ul style="list-style-type: none"> DM50 TO DM55 changed to DM50_A, DM50_B & DM50_C DM51_A & DM51_B added <p>DM1 TO DM2 Drawing</p> <ul style="list-style-type: none"> Note 2 added Items (2) and (3) added <p>DM1 TO DM2 List</p> <ul style="list-style-type: none"> Items (2) and (3) added <p>DM3, DM4, DM5, DM6, DM20, DM21, DM22, DM23, DM24, DM25, DM26, DM27 Drawings</p> <ul style="list-style-type: none"> Note 3 and 4 added Items (5) and (6) added <p>DM3, DM4, DM5, DM6, DM20, DM21, DM22, DM23, DM24, DM25, DM26, DM27 Lists</p> <ul style="list-style-type: none"> Items (5) and (6) added <p>DM50 TO DM55 Drawing</p> <ul style="list-style-type: none"> Change to DM50 <p>DM50 TO DM55 List</p> <ul style="list-style-type: none"> DM50 changed to DM50_A DM51 changed to DM51_A DM52 changed to DM50_B DM53 changed to DM50_C DM55 changed to DM51_B <p>Drawing DM51 added</p> <p>DM51 List added</p>
11/11/2020	3	<p>DM Index List:</p> <ul style="list-style-type: none"> DM1_C added. DM2_C added. DM3_C added. DM4, DM5, DM6, DM22, DM23, DM24, DM25, DM26, DM27, DM50_A, DM50_B, DM50_C, DM51_A, DM51_B removed. <p>New Page for Notes added:</p>

Date	Rev No.	Notes
		<ul style="list-style-type: none"> • Added Excerpt 8.14.4 from Horizon Power UDS. (DM# 1586848) • New general notes table included with consolidated Note 1 to Note 7 used throughout the document. <p>Decorative Materials Combinations Table Updated to suit current equipment.</p> <p>Decorative Materials Colour Range Table Updated as per Western Power DM DDC.</p> <p>DM Index Drawing:</p> <ul style="list-style-type: none"> • DM1 to DM2 Drawing updated. • DM3 Drawing updated. • DM4, DM5, DM6 Drawings removed. • DM20 Drawing updated. • DM21 Drawing updated. • DM22, DM23, DM24, DM25, DM26, DM27, DM50, DM51 Drawings removed. <p>DM1 to DM2 Drawing:</p> <ul style="list-style-type: none"> • Drawing updated to reflect current equipment. <p>DM1 List:</p> <ul style="list-style-type: none"> • Rename CU for non-cyclonic region. • Change in quantity for HTH0001. • HTH0002 replaced with HTH0003. <p>New DM1_C List added for cyclonic region.</p> <p>DM2 List:</p> <ul style="list-style-type: none"> • Rename CU for non-cyclonic region. • Change in quantity for HTH0001. • HTH0002 replaced with HTH0003. <p>New DM2_C List added for cyclonic region.</p> <p>DM3 Drawing:</p> <ul style="list-style-type: none"> • Drawing updated to reflect current equipment. <p>DM3 List:</p> <ul style="list-style-type: none"> • Rename CU for non-cyclonic region. • HZ0128 replaced with HZ0131 • HTH0002 replaced with HTH0003. • HZ0135 added. • EE1319 removed. <p>New DM3_C List added for cyclonic region.</p> <p>DM4, DM5, DM6 Drawings removed.</p> <p>DM4, DM5, DM6 Lists removed.</p> <p>DM20 Drawing:</p> <ul style="list-style-type: none"> • Drawing updated to reflect current equipment. <p>DM20 List:</p> <ul style="list-style-type: none"> • HZ0128 replaced with HZ0131. • HZ0135 added. • EE1318 removed. <p>DM21 Drawing:</p> <ul style="list-style-type: none"> • Drawing updated to reflect current equipment.

Date	Rev No.	Notes
		DM20 List: <ul style="list-style-type: none"> • HZ0128 replaced with HZ0131. • HZ0135 added. • EE1318 removed. DM22, DM23, DM24, DM25, DM26, DM27, DM50, DM51 Drawings removed. DM22, DM23, DM24, DM25, DM26, DM27, DM50_A, DM50_B, DM50_C, DM51_A, DM51_B Lists removed.
11/07/2022	4	Added Note 8 DM1 list <ul style="list-style-type: none"> • CW1329 -> CWH1329 12.5m galvanised standard streetlight column DM1_C list <ul style="list-style-type: none"> • CW1329 -> CWH1329 12.5m galvanised standard streetlight column DM2 list <ul style="list-style-type: none"> • CW1330 -> CWH1330 10.5m galvanised standard streetlight column DM2_C list <ul style="list-style-type: none"> • CW1330 -> CWH1330 10.5m galvanised standard streetlight column DM3 list <ul style="list-style-type: none"> • CW0255 -> CWH0255 6.5m galvanised standard streetlight column DM3_C list <ul style="list-style-type: none"> • CW0255 -> CWH0255 6.5m galvanised standard streetlight column DM20 list <ul style="list-style-type: none"> • CW0278 -> CWH0278 3m galvanised single outreach DM21 list <ul style="list-style-type: none"> • CW0279 -> CWH0279 3m galvanised double outreach